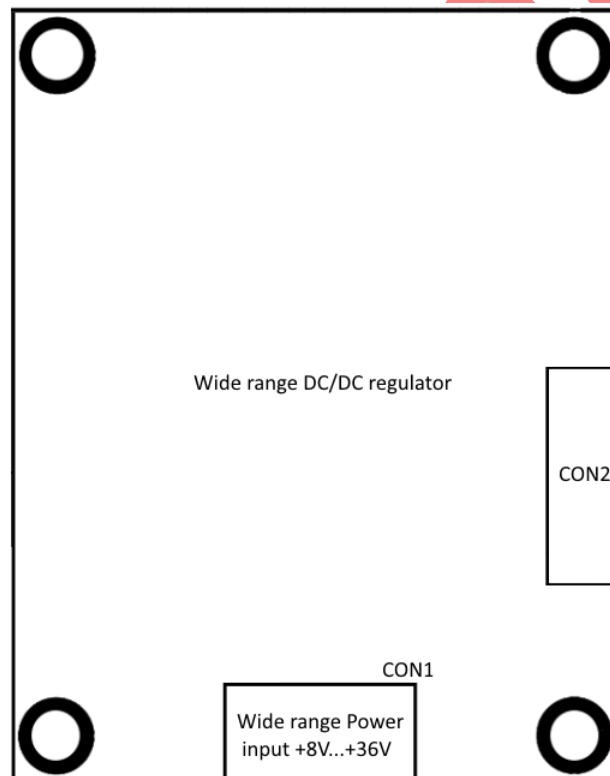


Preliminary Datasheet

Wide-Range-DC-DC-Converter IF414

Wide-Range DC/DC regulator

ZU-02-414



Version 1.1

06.12.2016

The information contained in this document has been carefully researched and is, to the best of our knowledge, accurate. However, we assume no liability for any product failures or damages, immediate or consequential, resulting from the use of the information provided herein. Our products are not intended for use in systems in which failures of product could result in personal injury. All trademarks mentioned herein are property of their respective owners. All specifications are subject to change without notice.



Table of Contents

1	Revision History	3
2	Overview	4
3	Features	4
4	Electrical Characteristics	4
5	Interfaces	4
6	Absolute Maximum Ratings	5
7	Thermal and Power Derating Characteristics	5
8	Connector Overview	6
9	C0N1: Power Supply Connector	7
10	C0N2: Board-to-Board or Wire-to-Board Connector	7
11	Mechanical Dimensions	8
12	Reference KIT	9
13	Ordering Information	9
14	News and Updates	9

Preliminary



1 Revision History

Date	Rev. No.	Description	Page
25.10.2016	1.0	Preliminary initial version	All
06.12.2016	1.1	Added SHIELD Description	7
		Added a table of Mechanical dimensions	8
		Added a new Connector Overview Picture	6

Preliminary



2 Overview

The high efficiency, wide Range DC-DC converter provides a constant output voltage from a wide voltage range input and is designed to operate reliably in harsh usage environments, such as automotive applications. This wide-range DC converter operates with a wide input voltage range and is able to handle input voltage drops (e.g. bus, train, truck).

3 Features

- Wide range Power input (VIN) = +8V...+36V
- Output Voltage (VOUT) = 12.1V
- Up to 5A output current
- Wide Top
- Transient Over Voltage Protection
- Reverse Input Voltage Protection
- Input EMI-Filter
- Output Short Circuit Protection
- Low-Voltage Drop Protection

4 Electrical Characteristics

All measurements done at 25°C ambient temperature.

Item	Condition	MIN.	TYP.	MAX.	Unit	Note
Supply input Voltage (VIN)		+8	+28	+36	VDC	-
Output Voltage (VOUT)		+12.0	+12.1	+12.4	VDC	
Output Current		0	-	5	A	
Current Consumption (28V)	Board Only	-	TBD	TBD	uA	-

5 Interfaces

TBD



6 Absolute Maximum Ratings

Item	Symbol	Min.	Max.	Unit	Note
Supply Voltage	V_{IN}	TBD	TBD	VDC	1, 2, 3
Storage Temperature	T_{ST}	-30	+85	°C	
Operating Temperature	T_{OP}	-20	+80	°C	

Note (1): Within operating temperature range.

Note (2): Permanent damage to the device may occur if maximum values are exceeded.

Note (3): The DC-DC Converter is resistant to instantaneous peaks (10/1000us wave form) up to 58V.

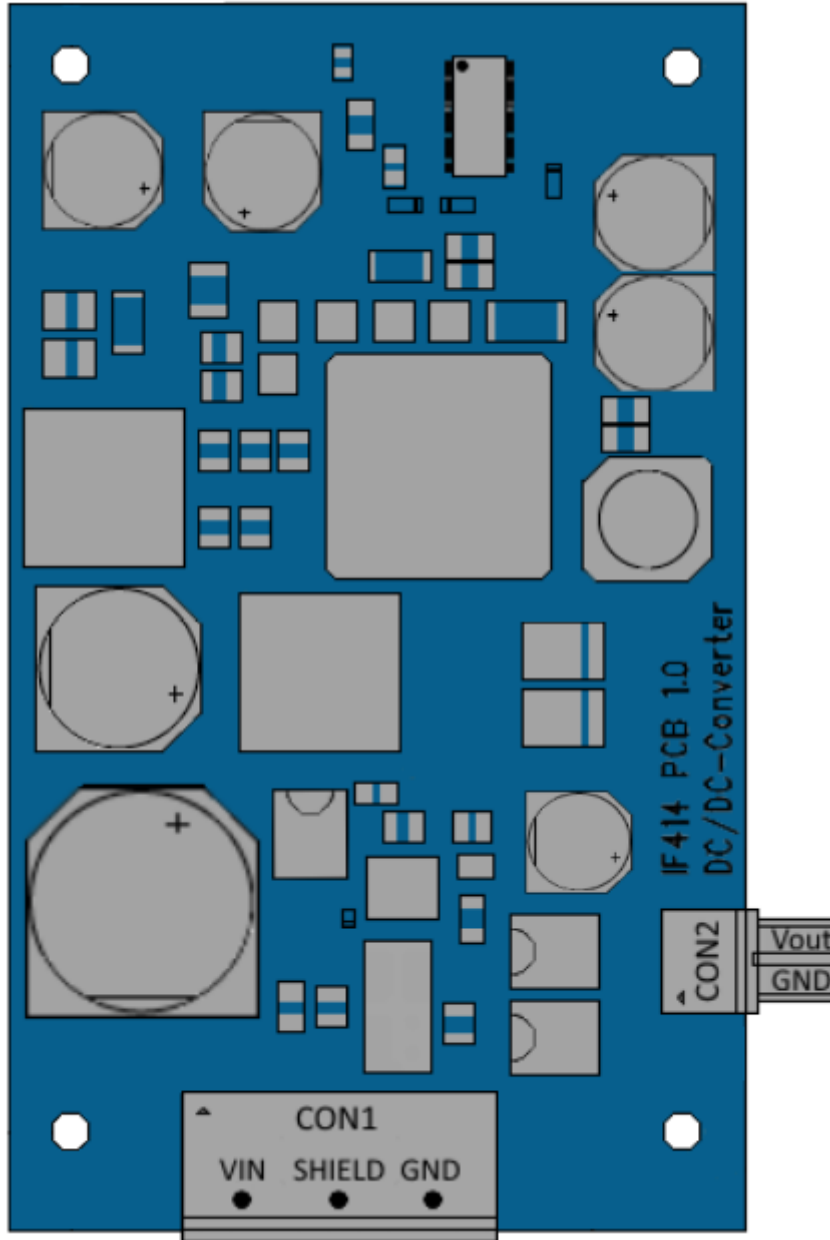
7 Thermal and Power Derating Characteristics

TBD

Preliminary



8 Connector Overview



Connector	DESCRIPTION	TYPE	Matching Part	MANUFACTURER
CON 1	Power Supply Input	MSTB 2,5/ 3-GF-5,08 (1776511)	MVSTBW 2,5/ 3- STF-5,08 (1834916)	Phoenix Contact
CON 2	Power Supply Output	WE 691 309 310 002	Cable to Board: WE 691 348 300 002 Board to Board WE 691 322 310 002	Würth



9 CON1: Power Supply Connector

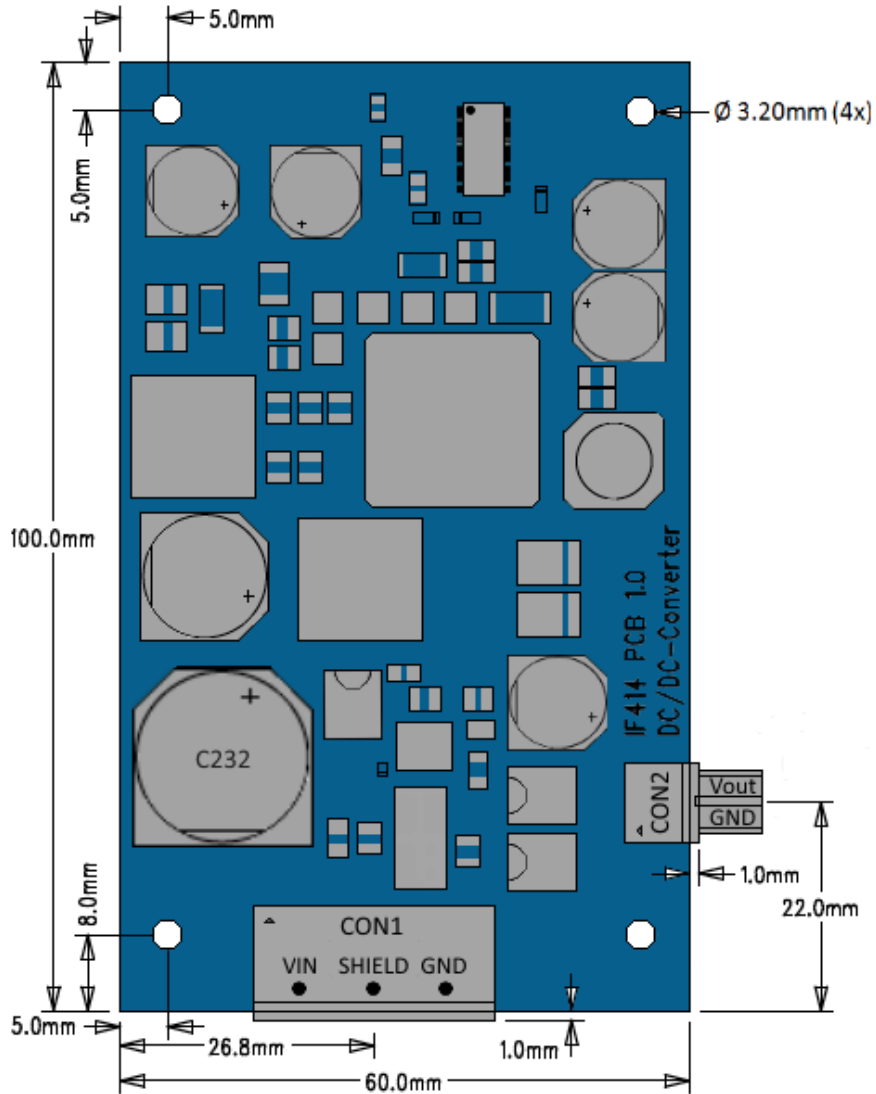
CON1: Power Supply Connector		
Pin	Signal	Description
1	VIN	Main Power Input
2	SHIELD	Cable Shield have a low-resistance to Ground
3	GND	Ground

10 CON2: Board-to-Board or Wire-to-Board Connector

CON2: Board-to-Board or Wire to Board Connector		
Pin	Signal	Description
1	GND	Ground
2	VOUT	Power Supply Output



11 Mechanical Dimensions



Item	Description	Remarks
Length	60 mm	± 0.2 mm
Width	100 mm	± 0.2 mm
Height (top side)	CON1	8.6 mm + 0.3 mm
	CON2	6.8 mm ± 0.3 mm
Max Height (top side)	C232	17mm + 0.2 mm
Height (PCB)		1.6 mm ± 0.2 mm
Height (bottom side)		0 mm No components on bottom side, to be mounted on flat surface
Weight	TBD	



12 Reference KIT

TBD

13 Ordering Information

Part Number	Description
ZU-02-414	IF414-00 Wide-Range-DC-DC-Converter

14 News and Updates

The latest version of documents, drivers and software packages can be found at:

German Site <http://www.datadisplay-group.de/service/downloads/>

English Site <http://www.datadisplay-group.com/service/downloads/>

Preliminary

Our company network supports you worldwide with offices in Germany, Great Britain, Turkey and the USA.
For more information please contact:



DATA DISPLAY GROUP

A **FORTEC** GROUP MEMBER

Distec GmbH

Augsburger Str. 2b
82110 Germering
Germany

Phone: +49 (0)89 / 89 43 63-0
Fax: +49 (0)89 / 89 43 63-131
E-Mail: info@datadisplay-group.de
Internet: www.datadisplay-group.de

FORTEC Elektronik AG

Lechwiesenstr. 9
86899 Landsberg am Lech
Germany

Phone: +49 (0)8191 / 911 72-0
Fax: +49 (0)8191 / 217 70
E-Mail: sales@fortecag.de
Internet: www.fortecag.de

Display Technology Ltd.

5 The Oaks Business Village
Revenge Road, Lordswood
Chatham, Kent, ME5 8LF
United Kingdom

Phone: +44 (0)1634 / 67 27 55
Fax: +44 (0)1634 / 67 27 54
E-Mail: info@displaytechnology.co.uk
Internet: www.datadisplay-group.com

Apollo Display Technologies, Corp.

87 Raynor Avenue,
Unit 1 Ronkonkoma,
NY 11779

United States of America
Phone: +1 631 / 580-43 60
Fax: +1 631 / 580-43 70
E-Mail: info@apolloDisplays.com
Internet: www.apolloDisplays.com

Sales Partner:

DATA DISPLAY BİLİŞİM TEKNOLOJİLERİ İÇ VE DIŞ TİCARET LİMİTED ŞİRKETİ

Barbaros Mh. Ak Zambak Sk. A Blok D:143
34376 Ataşehir / Istanbul
Turkey

Phone: +90 (0)216 / 688 04 68
Fax: +90 (0)216 / 688 04 69
E-Mail: info@data-display.com.tr
Internet: www.data-display.com.tr