



OUR GLOBAL
COMPETENCE
CENTRES

 APOLLO DISPLAY
TECHNOLOGIES



 DISTEC



 DISPLAY
TECHNOLOGY



Datasheet

ORTUSTECH

COM35H3P17ULC

The information contained in this document has been carefully researched and is, to the best of our knowledge, accurate. However, we assume no liability for any product failures or damages, immediate or consequential, resulting from the use of the information provided herein. Our products are not intended for use in systems in which failures of product could result in personal injury. All trademarks mentioned herein are property of their respective owners. All specifications are subject to change without notice.

Specifications for

Blanview TFT-LCD Monitor (3.5" QVGA 240 x RGB x 320 Protrait)

Version 1.0

(Please be sure to check the specifications latest version.)

MODEL COM35H3P17ULC

Customer's Approval

Signature:

Name:

Section:

Title:

Date:

ORTUSTECH

ORTUS TECHNOLOGY CO., LTD.

Approved by

N. Konya

Checked by

Y. Saito

Prepared by

M. Igo

Contents

| | | |
|---|-------|----|
| 1. Application | | 3 |
| 2. Outline Specifications | | |
| 2.1 Features of the Product | | 4 |
| 2.2 Display Method | | 4 |
| 3. Dimensions and Shape | | |
| 3.1 Dimensions | | 5 |
| 3.2 Outward Form | | 7 |
| 3.3 Serial Label (S-Label) | | 8 |
| 4. Pin Assignment | | 9 |
| 5. Absolute Maximum Rating | | 10 |
| 6. Recommended Operating Conditions | | 10 |
| 7. Characteristic Recommended Operating Conditions | | |
| 7.1 DC Characteristics | | 11 |
| 7.2 AC Characteristics | | 11 |
| 8. Switching waveform | | 12 |
| 9. Input timing | | |
| 9.1 Input timing characteristics | | 13 |
| 9.2 Input timing chart | | 14 |
| 9.3 Input timing example | | 15 |
| 10. Power-ON / Power-OFF sequence | | 16 |
| 11. Display-ON / Display-OFF sequence | | 17 |
| 12. Reset sequence | | 17 |
| 13. LED Circuit | | 18 |
| 14. Characteristics | | |
| 14.1 Optical Characteristics | | 19 |
| 14.2 Temperature Characteristics | | 20 |
| 15. Criteria of Judgment | | |
| 15.1 Defective Display and Screen Quality | | 21 |
| 15.2 Screen and Other Appearance | | 22 |
| 16. Reliability Test | | 23 |
| 17. Packing Specifications | | 25 |
| 18. Handling Instruction | | |
| 18.1 Cautions for Handling LCD panels | | 26 |
| 18.2 Precautions for Handling | | 27 |
| 18.3 Precautions for Operation | | 27 |
| 18.4 Storage Condition for Shipping Cartons | | 28 |
| 18.5 Precautions for Peeling off the Protective film | | 29 |
| 18.6 Warranty | | 29 |
| APPENDIX | | 30 |

1. Application

This Specification is applicable to 89.4mm (3.5 inch) Blanview TFT-LCD monitor for non-military use.

- ◎ ORTUS TECHNOLOGY makes no warranty or assume no liability that use of this Product and/or any information including drawings in this Specification by Purchaser is not infringing any patent or other intellectual property rights owned by third parties, and ORTUS TECHNOLOGY shall not grant to Purchaser any right to use any patent or other intellectual property rights owned by third parties. Since this Specification contains ORTUS TECHNOLOGY's confidential information and copy right, Purchaser shall use them with high degree of care to prevent any unauthorized use, disclosure, duplication, publication or dissemination of ORTUS TECHNOLOGY'S confidential information and copy right.
- ◎ If Purchaser intends to use this Products for an application which requires higher level of reliability and/or safety in functionality and/or accuracy such as transport equipment (aircraft, train, automobile, etc.), disaster-prevention/security equipment or various safety equipment, Purchaser shall consult ORTUS TECHNOLOGY on such use in advance.
- ◎ This Product shall not be used for application which requires extremely higher level of reliability and/or safety such as aerospace equipment, telecommunication equipment for trunk lines, control equipment for nuclear facilities or life-support medical equipment.
- ◎ It must be noted as a mechanical design manner, especial attention in housing design to prevent arcuation/flexure or caused by stress to the LCD module shall be considered.
- ◎ ORTUS TECHNOLOGY assumes no liability for any damage resulting from misuse, abuse, and/or miss-operation of the Product deviating from the operating conditions and precautions described in the Specification.
- ◎ It shall be mutually conferred if nonconforming defect which result from unspecified cause in this specification arises.
- ◎ If any issue arises as to information provided in this Specification or any other information, ORTUS TECHNOLOGY and Purchaser shall discuss them in good faith and seek solution.
- ◎ ORTUS TECHNOLOGY assumes no liability for defects such as electrostatic discharge failure occurred during peeling off the protective film or Purchaser's assembly process.
- ◎ This Product is compatible for RoHS directive.

| Object substance | Maximum content [ppm] |
|--|-----------------------|
| Cadmium and its compound | 100 |
| Hexavalent Chromium Compound | 1000 |
| Lead & Lead compound | 1000 |
| Mercury & Mercury compound | 1000 |
| Polybrominated biphenyl series (PBB series) | 1000 |
| Polybrominated biphenyl ether series (PBDE series) | 1000 |

2. Outline Specifications

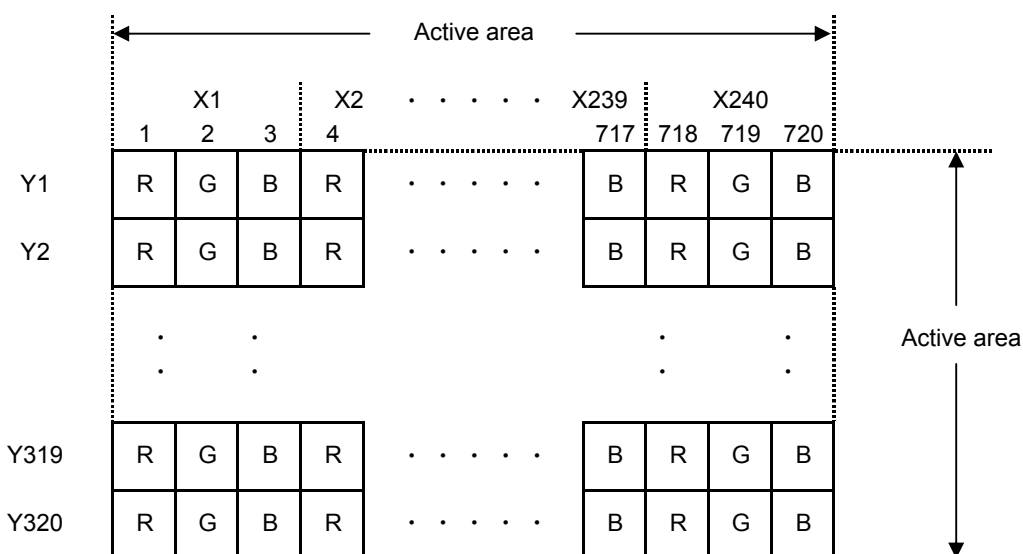
2.1 Features of the Product

- 3.5 inch diagonal display, 720 [H] x 320 [V] dots. 240RGB x 320 pixel.
- 6-bit / 262,144 colors.
- Single power supply operation of 3.0V.
- Timing generator [TG], Counter-electrode driving circuitry, Built-in power supply circuit.
- Long life & High bright white LED back-light.
- Blanview TFT-LCD, improved outdoor readability.

| | Indoor | | Outdoor | |
|---------------|-------------|---------------------------------|-------------|---------------------------------|
| | Readability | Power Efficiency (Battery Life) | Readability | Power Efficiency (Battery Life) |
| Transmissive | Good | Good | Fair | Poor |
| Transflective | Fair | Poor | Good | Good |
| Blanview | Good | Good | Good | Good |

2.2 Display Method

| Items | Specifications | Remarks |
|---------------------|--|----------------------------|
| Display type | VA type 262,144 colors Blanview, Normally Black | |
| Driving method | a-Si TFT Active matrix Line-scanning, Non-interlace | |
| Dot arrangement | RGB stripe arrangement | Refer to "Dot arrangement" |
| Signal input method | 6-bit Data : Paralell interface | |
| Backlight type | Long life & High bright white LED | |
| NTSC ratio | 50% | |



Dot arrangement (FPC cable placed left side)

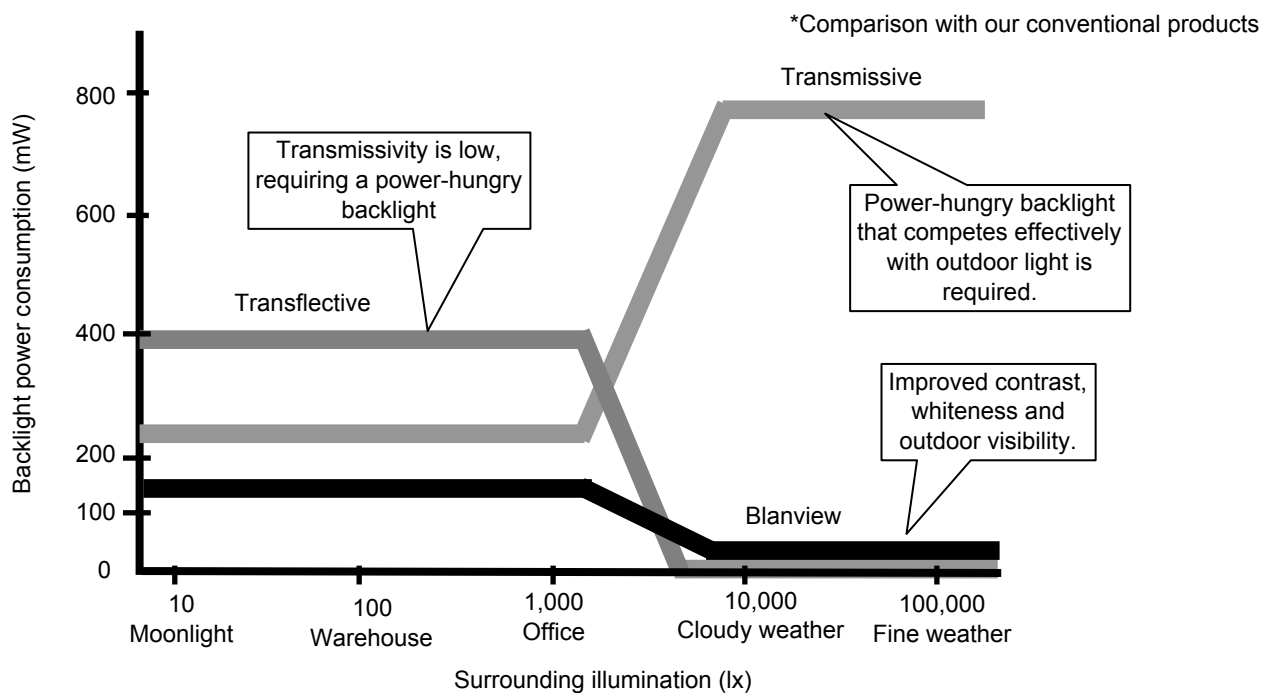
3. Dimensions and Shape

3.1 Dimensions

| Items | Specifications | Unit | Remarks |
|-----------------------------------|-----------------------------|------|---------------------------------------|
| Outline dimensions | 63.5[H] × 85.0[V] × 3.03[D] | mm | exclude FPC and components on the FPC |
| Active area | 53.64[H] × 71.52[V] | mm | 89.40mm diagonal |
| Number of dots | 720[H] × 320[V] | dot | |
| Dot pitch | 74.5[H] × 223.5[V] | um | |
| Surface hardness of the polarizer | 2 | H | |
| Weight | 33.0 | g | Include FPC cable |

<Features of Blanview>

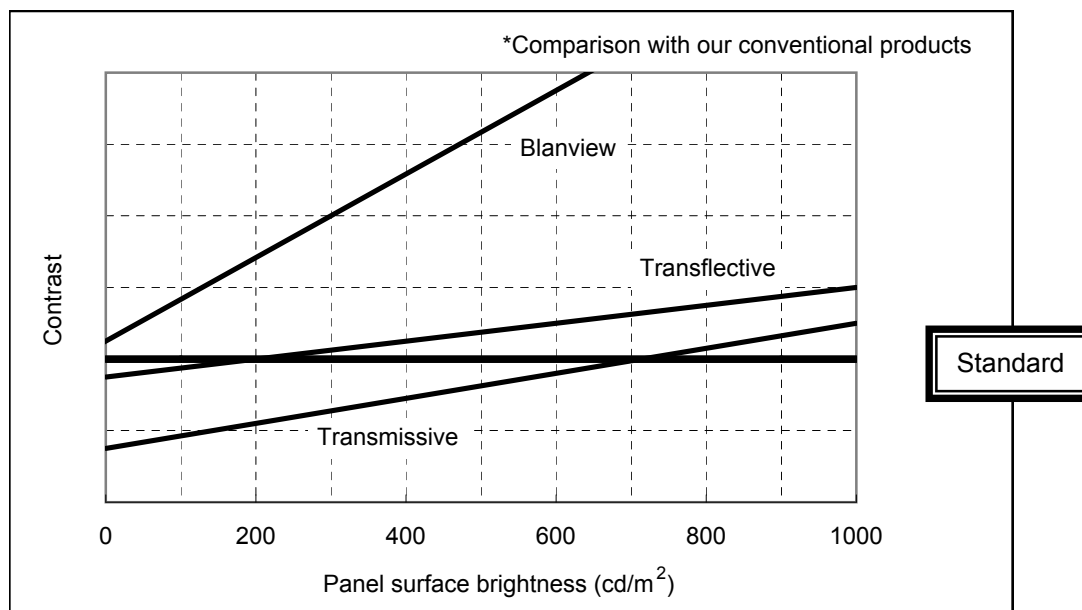
- Backlight power consumption required to assure visibility.



- Contrast characteristics under 100,000lx. (same condition as direct sunlight.)

With better contrast (higher contrast ratio), Blanview TFT-LCD has the best outdoor readability in three different types of TFT-LCD.

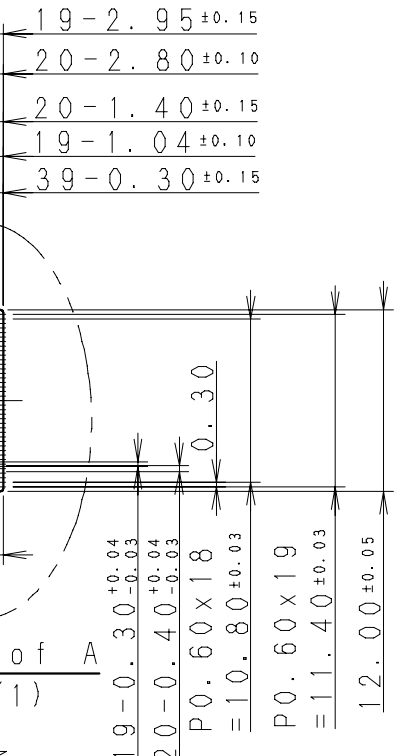
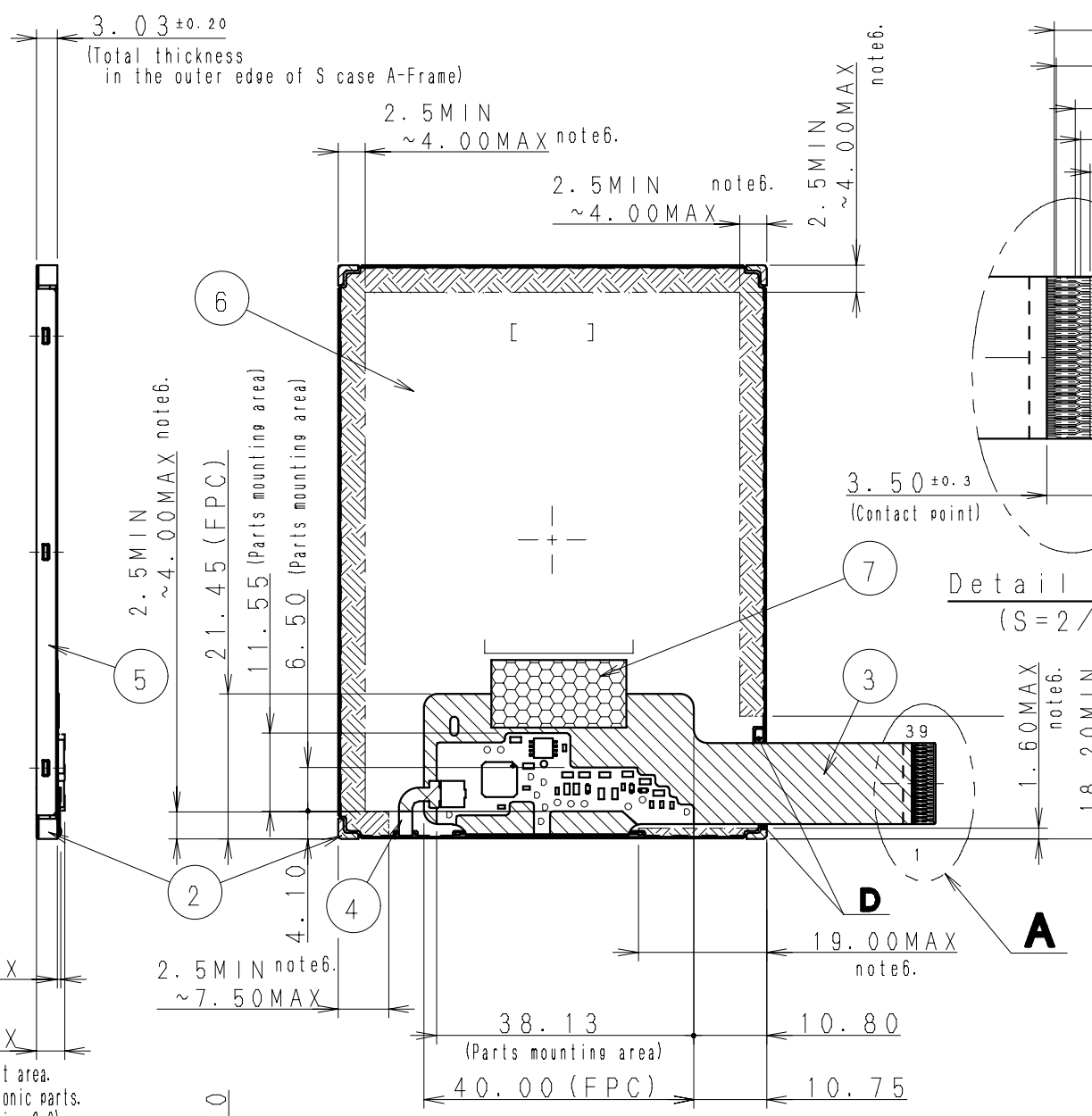
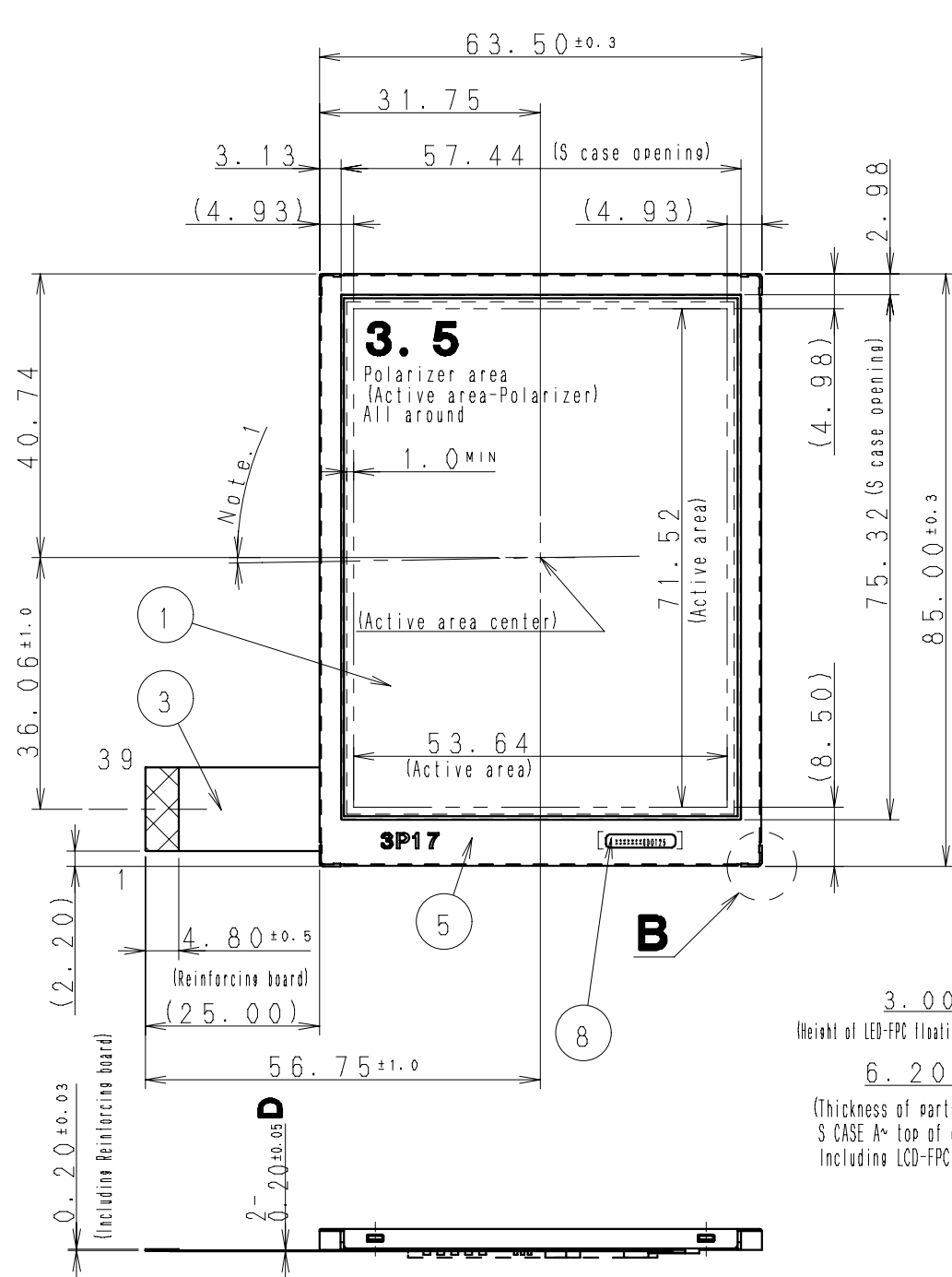
Below chart shows contrast value against panel surface brightness. (Horizontal: Panel surface brightness/ Vertical: Contrast value) LCD panel has enough outdoor readability above our Standard line. (ORTUS TECHNOLOGY criteria)



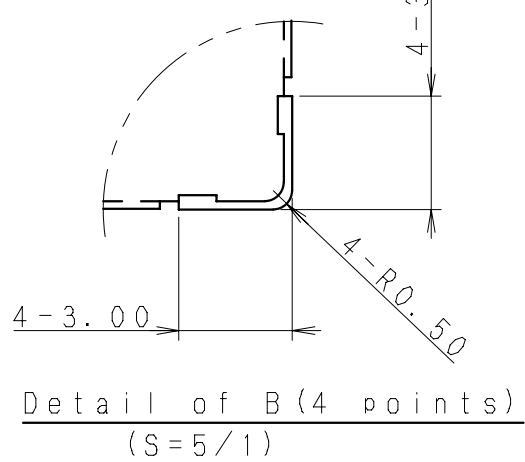
3.2 Outward Form

(7/33)
15TLM075
Issue: Apr. 28, 2016

| EC No. | REV.No. | REVISE | DATE (Y:M:D) | APPROVED | CHECKED | PREPARED |
|--------|---------|--------|--------------|----------|---------|----------|
|--------|---------|--------|--------------|----------|---------|----------|



3.00MAX
(Height of LED-FPC floating)
6.20MAX
(Thickness of parts mount area.
S CASE A~ top of electronic parts.
Including LCD-FPC floating 2.0)



- Note 1. Angular deviation of LCD cell from the TFT-LCD monitor's reference axis shall be less than [±40'].
- Note 2. S label is affixed the area shown in the drawing. The thickness of the S label will be added to that of S case's surface.
- Note 3. Recommended FPC connectors
For LCD : HIROSE, part number: FH23-39S-0.3SHW (05)
- Note 4. Protective film is affixed on front surface of the screen. Location tolerance of the protective film shall be ±1.5 mm to the polarizing film.
- Note 5. Refer to "15.CRITERIA JUDGMENT" about the appearance specification of a polarizer.
- Note 6. In case TFT-LCD monitor is fixed to the case of your product, it's recommended that monitor is fixed in to [hatched] area.

| S LABEL | 8 | | | (10×1.85×0.075t) |
|-----------|------|-----------|--------------------------------|------------------|
| I-TAPE | 7 | | | |
| S CASE C | 6 | | SUS304 | |
| S CASE A | 5 | | SUS304 | |
| LED-FPC | 4 | | | |
| LCD-FPC | 3 | | | |
| FRAME | 2 | | PC | |
| LCD | 1 | | Glass substrate thickness=0.5t | |
| PART NAME | ITEM | PART CODE | MATERIAL GRADE | REMARK |

| | | | | | |
|-------------------------|---------------------------|-------------------------|------------|--|-------|
| APPROVED K.Hashizume | GENERAL TOLERANCE ±0.5 | SCALE 1/1 (2/1, 5/1) | UNIT mm | ORTUSTECH ORTUS TECHNOLOGY CO., LTD. DO NOT DUPLICATE, CONFIDENTIAL AND PROPRIETARY | |
| CHECKED J.Hiranobu | ISSUE (Y:M:D) 16:04:05 | MODEL COM35H3P17U** | | | |
| CHECKED | NAME | OUTLINE-D3P17 | | DRAWING No. | |
| DESIGN J.Hiranobu | | | | REV. | SHEET |
| DRAW J.Hiranobu | | | | | DIV. |
| | | | | RJD527935D301 | |

3.3 SERIAL LABEL (S-LABEL)

1) Display Items

S-label indicates the least significant digit of manufacture year (1digit), manufacture month with below alphabet (1letter), model code (5characters), serial number (6digits).

* Contents of Display

| | | | |
|---|---|-------|-------|
| * | * | ***** | ***** |
| - | - | ----- | ----- |
| a | b | c | d |

| | | | | |
|---|---|---|----------------------------------|----------------------------------|
| | Contents of display | | | |
| a | The least significant digit of manufacture year | | | |
| b | Manufacture month | Jan-A Feb-B Mar-C Apr-D | May-E Jun-F Jul-G Aug-H | Sep-I Oct-J Nov-K Dec-L |
| c | Model code | 35NRC (Made in Japan) 35NSC (Made in Malaysia) | | |
| d | Serial number | | | |

* Example of indication of Serial label (S-label)

•Made in Japan

6J35NRC000125

means "manufactured in October 2016, 3.5" NR type, C specifications, serial number 000125"

•Made in Malaysia

6J35NSC000125

means "manufactured in October 2016, 3.5" NS type, C specifications, serial number 000125"

2) Location of Serial Label (S-label)

Refer to 3.2 "Outward Form".

4. Pin Assignment

| No. | Symbol | Function | I/O |
|-----|--------|--|-----|
| 1 | VSS | GND | P |
| 2 | VSS | GND | P |
| 3 | VDD | Power supply | P |
| 4 | VDD | Power supply | P |
| 5 | VSS | GND | P |
| 6 | RESETB | Reset signal (Lo-active) | I |
| 7 | HSYNC | Horizontal synchronization signal (Negative polarity) | I |
| 8 | VSYNC | Vertical synchronizing signal (Negative polarity) | I |
| 9 | CLK | Display clock (Falling read) | I |
| 10 | VSS | GND | P |
| 11 | D00 | Display data (B) input It becomes black display in 00h. D00:LSB D05:MSB gamma conversion internally driver. | I |
| 12 | D01 | | I |
| 13 | D02 | | I |
| 14 | D03 | | I |
| 15 | D04 | | I |
| 16 | D05 | | I |
| 17 | D10 | Display data (G) input It becomes black display in 00h. D10:LSB D15:MSB gamma conversion internally driver. | I |
| 18 | D11 | | I |
| 19 | D12 | | I |
| 20 | D13 | | I |
| 21 | D14 | | I |
| 22 | D15 | | I |
| 23 | D20 | Display data (R) input It becomes black display in 00h. D20:LSB D25:MSB gamma conversion internally driver. | I |
| 24 | D21 | | I |
| 25 | D22 | | I |
| 26 | D23 | | I |
| 27 | D24 | | I |
| 28 | D25 | | I |
| 29 | VSS | GND | P |
| 30 | DE | Input data valid signal (Hi-active) | I |
| 31 | STBYB | Standby control signal (Lo: Standby, Hi: Normal-operation) | I |
| 32 | TEST1 | MODE1 (GND connection) | I |
| 33 | NC | OPEN | - |
| 34 | NC | OPEN | - |
| 35 | NC | OPEN | - |
| 36 | NC | OPEN | - |
| 37 | TEST2 | MODE2 (GND connection) | I |
| 38 | BLH | LED drive power source. (Anode side) | P |
| 39 | BLL | LED drive power source. (Cathode side) | P |

Note :

- Recommended connector : Hirose FH23 series "FH23-39S-0.3SHW(05) "
- Terminal arrangement, please refer to "outline specification drawings".
- FPC of the terminal has been decorated with gold-plated.
Connector contact terminals is recommended the use of gold-plated products.

5. Absolute Maximum Rating

VSS=0V

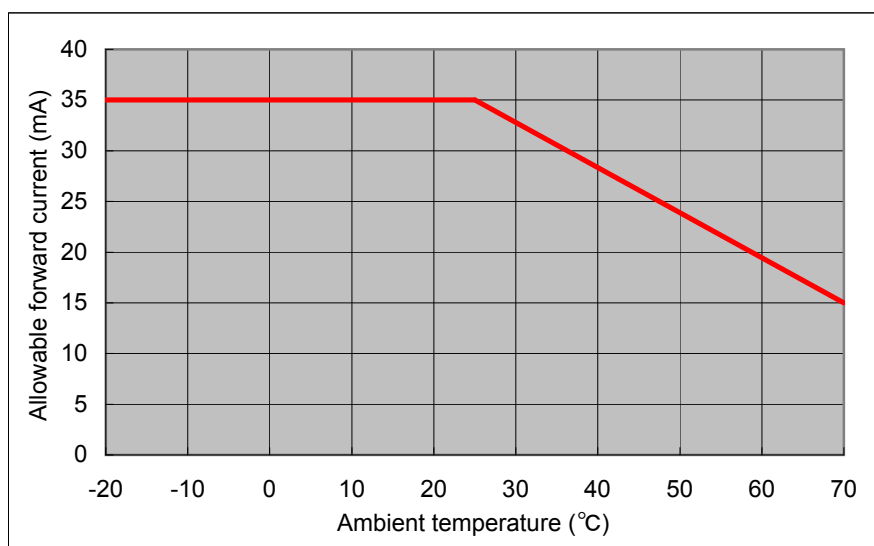
| Item | Symbol | Condition | Rating | | Unit | Applicable terminal |
|---------------------------|--------|--|--------|---------|------|---|
| | | | MIN | MAX | | |
| Supply voltage | VDD | Ta=25°C | -0.3 | 4.6 | V | VDD |
| Input voltage for logic | VI | | -0.3 | VDD+0.3 | V | CLK,VSYNC,HSYNC,DE D[05:00],D[15:10],D[25:20] ,STBYB,RESETB,TEST1,TEST2 |
| LED Forward current | IL | Ta = 25°C | — | 35.0 | mA | BLH - BLL |
| | | Ta = 70°C | — | 15.0 | | |
| Storage temperature range | Tstg | | -30 | 80 | °C | |
| Storage atmospheric range | Hstg | 40°C90%RH or less of moisture content with no condensation | | | | |

6. Recommended Operating Conditions

VSS=0V

| Item | Symbol | Condition | Rating | | | Unit | Applicable terminal |
|-------------------------------|--------|-----------|--|-----|-----|------|--|
| | | | MIN | TYP | MAX | | |
| Supply voltage | VDD | | 2.7 | 3.0 | 3.6 | V | VDD |
| Input voltage for logic | VI | | 0 | — | VDD | V | CLK,VSYNC,HSYNC,DE, D[05:00],D[15:10],D[25:20], STBYB,RESETB, TEST1,TEST2 |
| Operational temperature range | Top | *note | -20 | 25 | 70 | °C | LCD Panel surface temperature |
| Operating humidity range | Hop | Ta ≤ 40°C | 20 | — | 85 | % | |
| | | Ta > 40°C | 40°C85%RH or less of moisture content with no condensation | | | | |

note : The maximum value of LED Forward current "IL", do not exceed the following allowable current value.



7. Characteristics

7.1 DC Characteristics

7.1.1 Display section

(Unless otherwise noted, Ta=25°C,VDD=3.0V,VSS=0V)

| Item | Symbol | Condition | Rating | | | Unit | Applicable terminal |
|----------------------|--------|-----------------------------------|---------|------|---------|------|---|
| | | | MIN | TYP | MAX | | |
| Input Signal Voltage | VIH | | 0.7×VDD | — | VDD | V | CLK,VSYNC,HSYNC,DE STBYB,RESETB |
| | VIL | | 0 | — | 0.3×VDD | V | D[05:00],D[15:10],D[25:20] TEST1,TEST2 |
| Operating Current | IDD | fCLK=6.25MHz Color bar display | — | 12.0 | 24.0 | mA | VDD |

7.1.2 Backlight section

| Item | Symbol | Condition | Rating | | | Unit | Applicable terminal |
|-----------------------|--------|----------------------------|--------|--------|------|------|---------------------|
| | | | MIN | TYP | MAX | | |
| Forward current | IL25 | Ta=25°C | — | 6.5 | 35.0 | mA | BLH – BLL |
| | IL70 | Ta=70°C | — | — | 15.0 | mA | |
| Forward voltage | VL | Ta=25°C, IL=6.5mA | — | 16.0 | 16.7 | V | |
| Estimated Life of LED | LL | Ta=25°C, IL=6.5mA *note | — | 50,000 | — | hr | |

note :

- The lifetime of the LED is defined as a period till the brightness of the LED decreases to the half of its initial value.
 - This figure is given as a reference purpose only, and not as a guarantee.
 - This figure is estimated for an LED operating alone.
- As the performance of an LED may differ when assembled as a monitor together with a TFT panel due to different environmental temperature.
- Estimated lifetime could vary on a different temperature and usually higher temperature could reduce the life significantly.

7.2 AC Characteristics

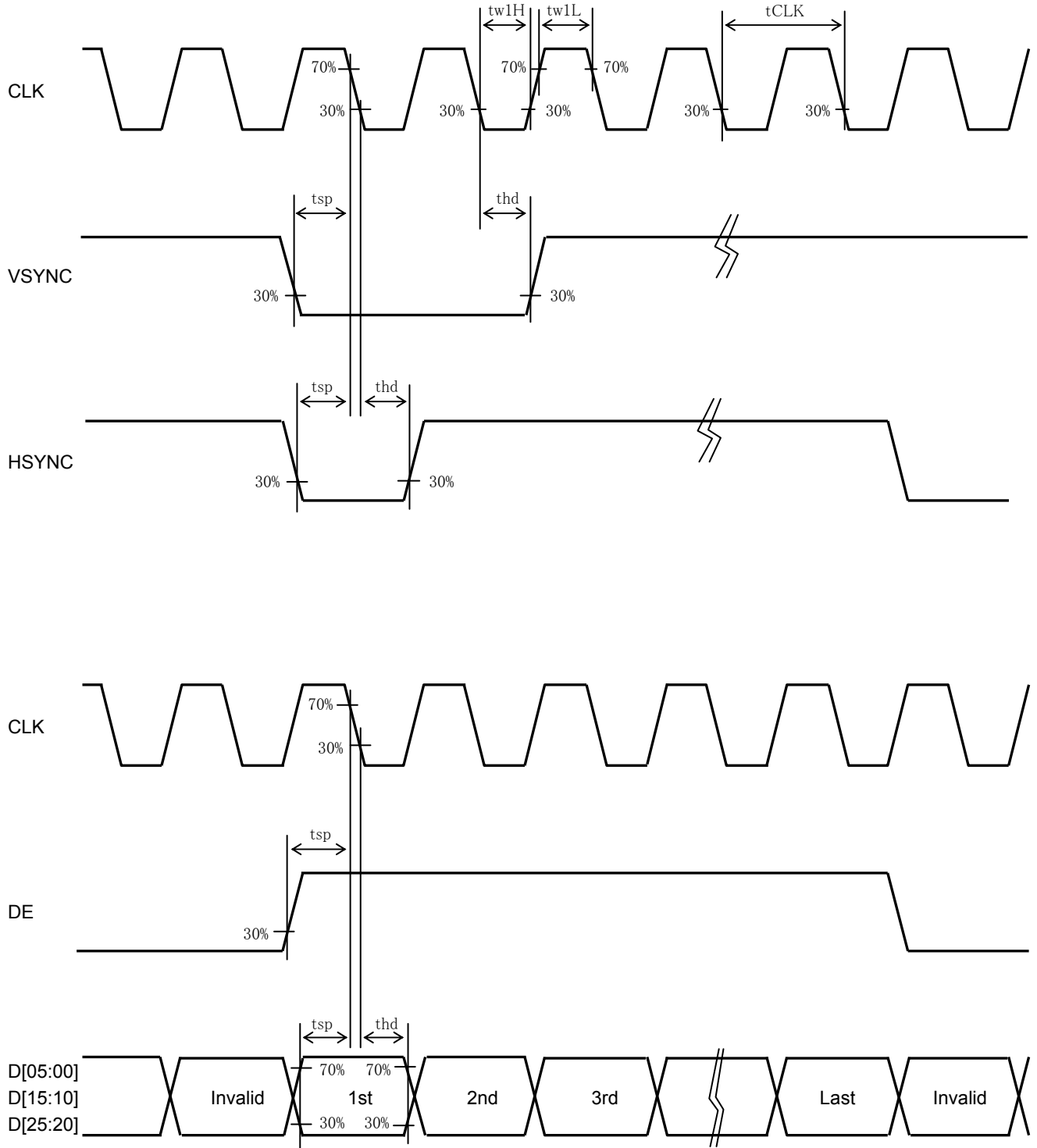
(Unless otherwise noted, Ta=25°C,VDD=3.0V,VSS=0V)

| Item | Symbol | Condition | Rating | | | Unit | Applicable terminal |
|------------------|--------|-------------------------------|--------|-----|-----|------|----------------------------|
| | | | MIN | TYP | MAX | | |
| CLK frequency | fCLK | | 4.4 | 5.6 | 7.0 | MHz | CLK |
| CLK Lo period | tw1L | 0.3×VDD or less of the period | 15 | — | — | ns | CLK |
| CLK Hi period | tw1H | 0.7×VDD or less of the period | 15 | — | — | ns | CLK |
| Input setup time | tsp | | 15 | — | — | ns | HSYNC,VSYNC,CLK,DE |
| Input hold time | thd | | 15 | — | — | ns | D[05:00],D[15:10],D[25:20] |

note :

- All timing is specified in 30-70% of VDD.
- Tf / tf of the input signal is specified in the 15ns or less.

8. Switching waveform



9. Input timing

9.1 Input timing characteristics

(Unless otherwise noted, Ta=25°C, VDD=3.0V, VSS=0V)

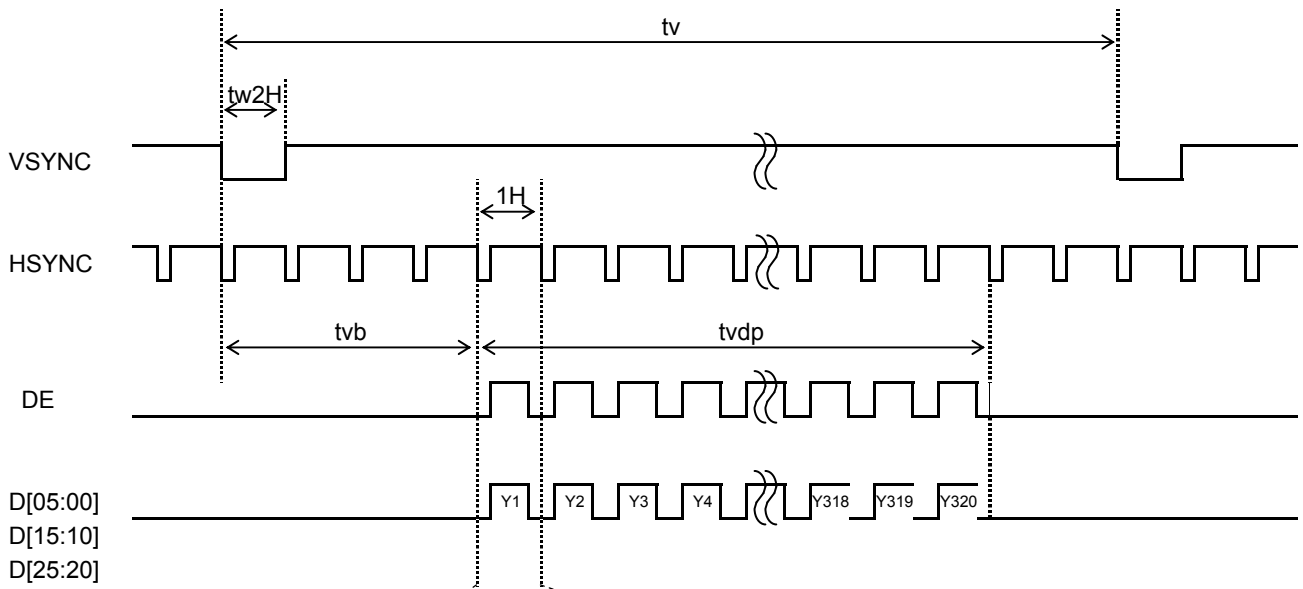
| Item | Symbol | Rating | | | Unit | Applicable terminal |
|---------------------------|--------|--------|------|-----|------|--|
| | | MIN | TYP | MAX | | |
| CLK frequency | fCLK | 4.4 | 5.6 | 7.0 | MHz | CLK |
| VSYNC frequency *note | fVSYNC | 54 | 60 | 66 | Hz | VSYNC |
| VSYNC signal period | tv | 324 | 325 | 348 | H | VSYNC,HSYNC |
| VSYNC pulse width | tw2H | 1 | — | — | H | VSYNC,HSYNC |
| Vertical back porch | tvb | 2 | — | 14 | H | VSYNC,HSYNC,D[05:00],D[15:10],D[25:20] |
| Vertical display period | tvdP | — | 320 | — | H | VSYNC,HSYNC,D[05:00],D[15:10],D[25:20] |
| HSYNC frequency | fHSYNC | — | 19.5 | — | kHz | HSYNC |
| HSYNC signal period | th | — | 287 | 402 | CLK | HSYNC,CLK |
| HSYNC pulse width | tw3H | 1 | — | - | CLK | HSYNC,CLK |
| Horizontal back porch | thb | 2 | — | 14 | CLK | HSYNC,CLK,D[05:00],D[15:10],D[25:20] |
| DE pulse width | tw4H | — | 240 | — | CLK | DE,CLK |
| Horizontal display period | thdP | — | 240 | — | CLK | D[25:00],CLK |

note : Characteristic of this item is the recommended standard.

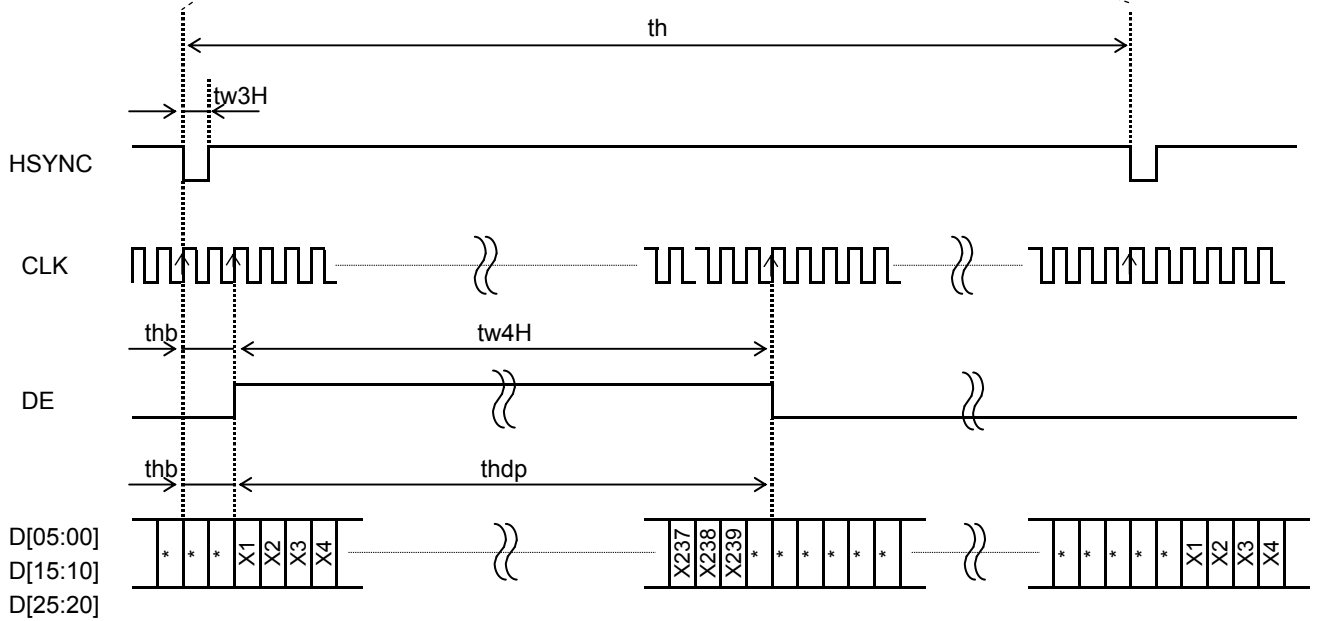
When used in outside this property, Please use after confirming a sufficient display quality, etc.

9.2 Input timing chart

I. Vertical drive timing

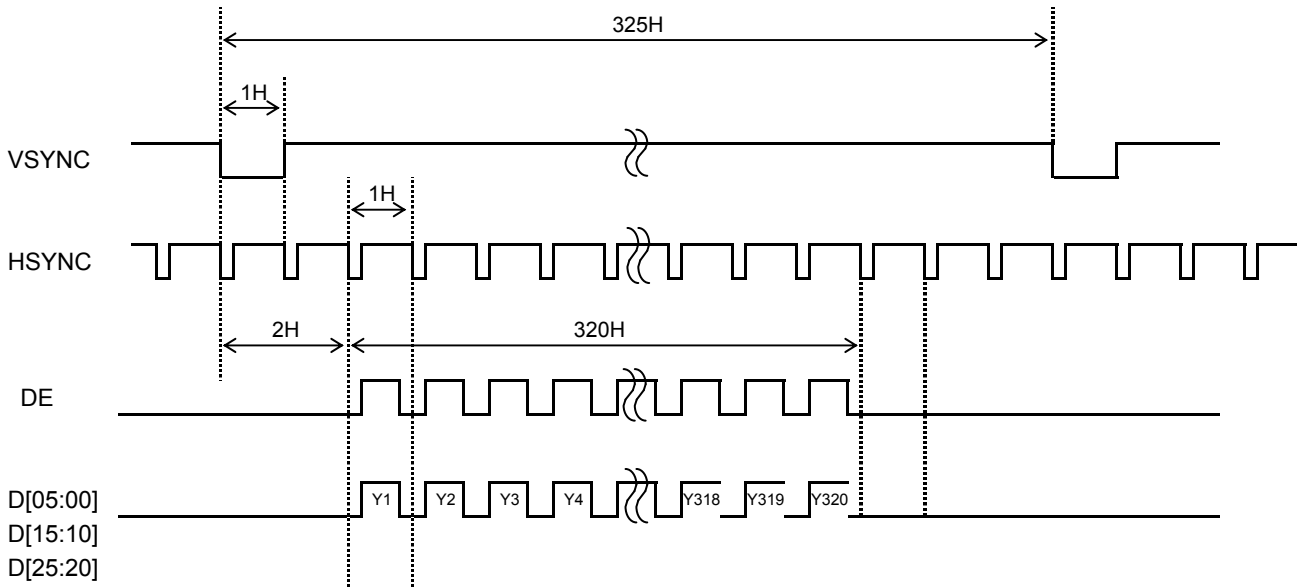


II. Horizontal drive timing

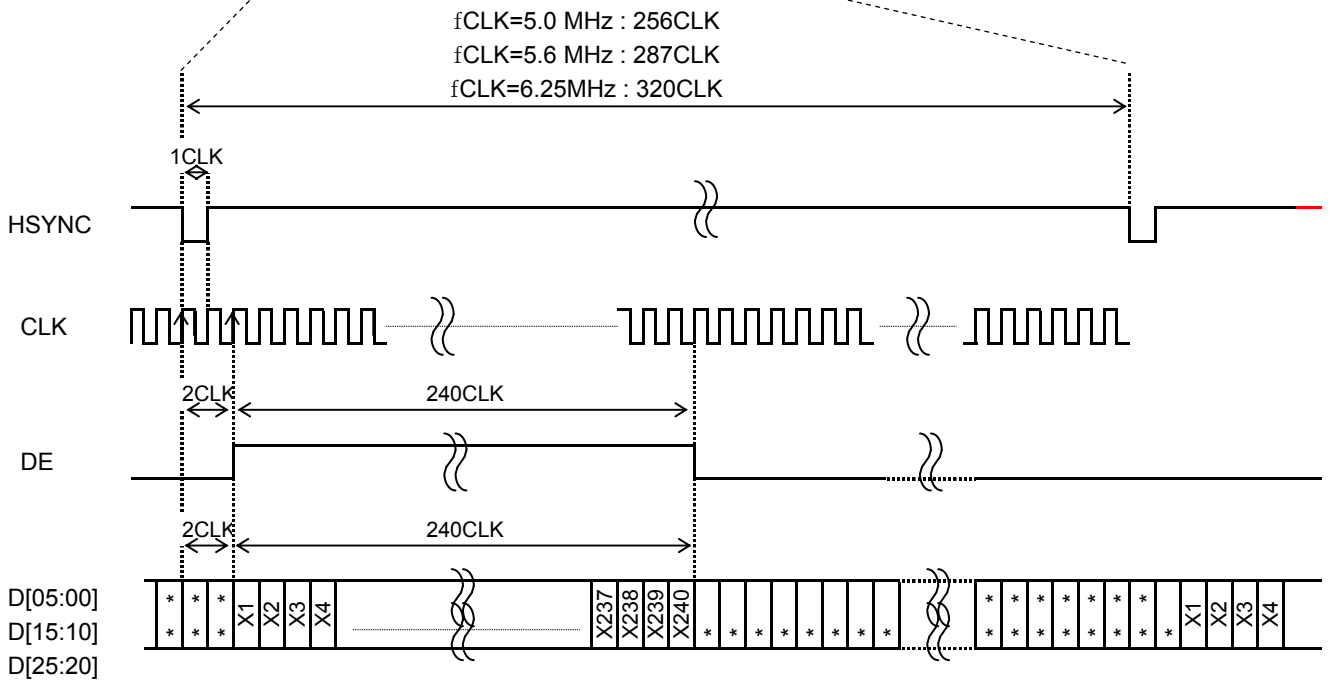


9.3 Input timing example (fCLK = 5.0MHz, 5.6MHz, 6.25MHz)

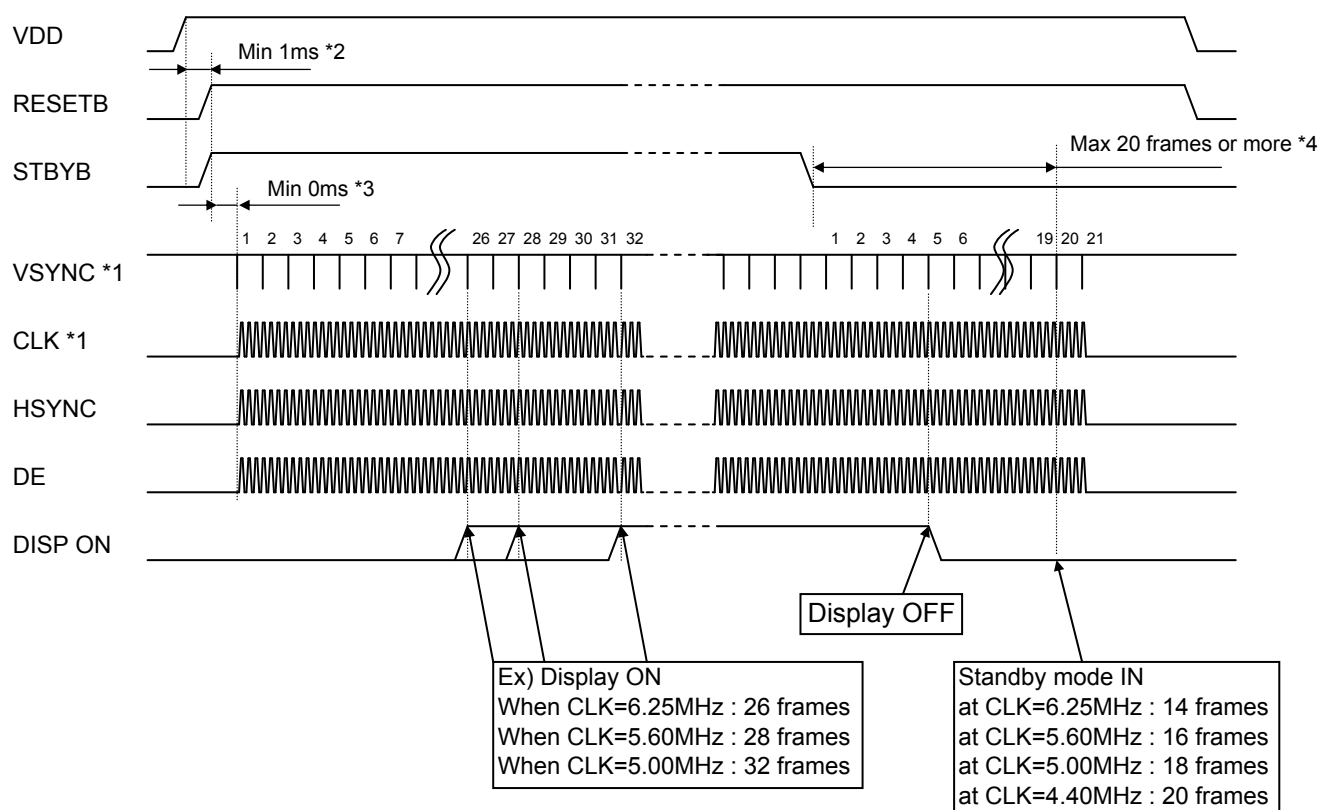
I. Vertical drive timing



II. Horizontal drive timing



10. Power-ON / Power-OFF sequence



*1 Operation CLK of GA (gate array) on the FPC uses the CLK (DOTCLK).

In addition, the internal counter of GA also uses VSYNC.

It will start the operation after the CLK and VSYNC is input

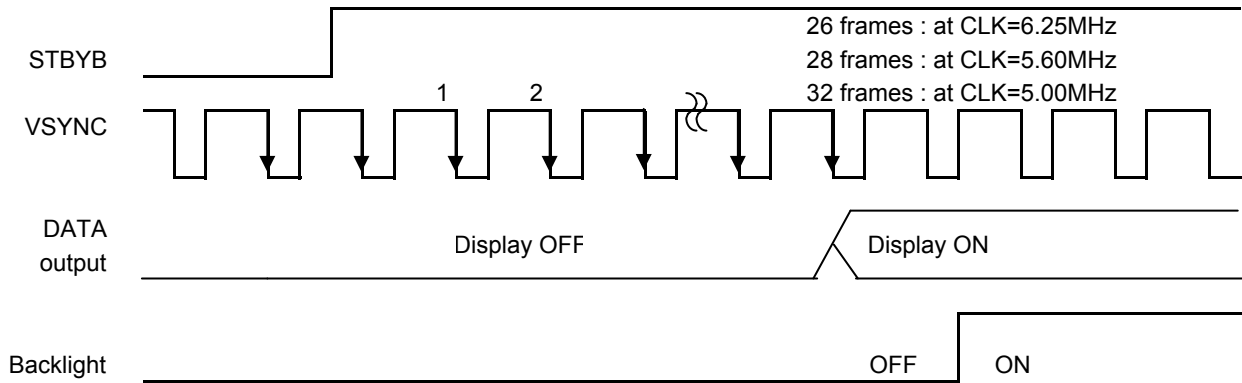
*2 After the power is turned on, run the RESETB sure. (Please refer to "12.Reset sequence")

*3 Although there are no provisions in the time from RESETB "H" to each signal is inputted, each signal of that period must be fixed to "Hi" or "Lo" level.

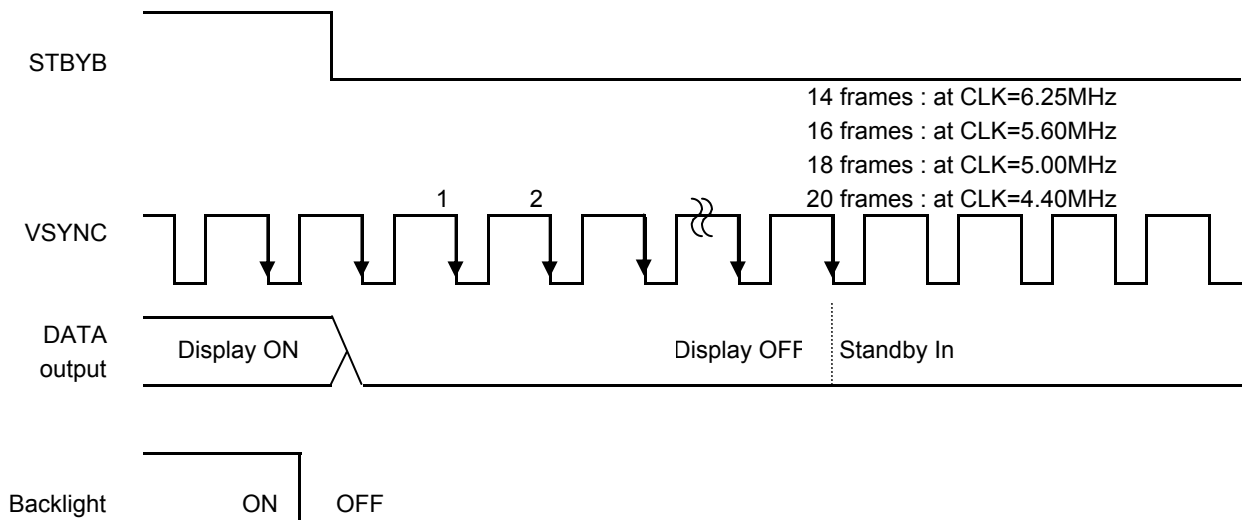
*4 To turn OFF the power supply so that there is no afterimage, up to 20 frames or more of the period from STBYB "Low", is required supply of VSYNC and CLK(DOTCLK).

11. Display-ON / Display-OFF sequence

We'll explain about the display sequence at the time of display ON / OFF by STBYB signal
From the standby release until the display is started, according to the CLK period, you will need time below.

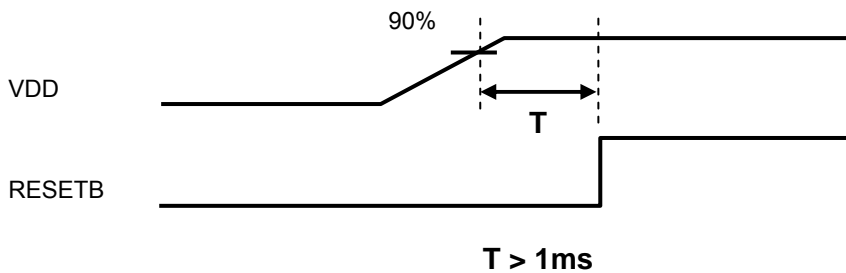


From the standby setting to standby sequence end, depending on the CLK period, you will need time below.
That period, there is a need to continue to supply the DOTCLK and VSYNC signal.
Within the provisions frame, if you stop the DOTCLK and VSYNC signal or turn OFF the power, there is a possibility that afterimage occurs.

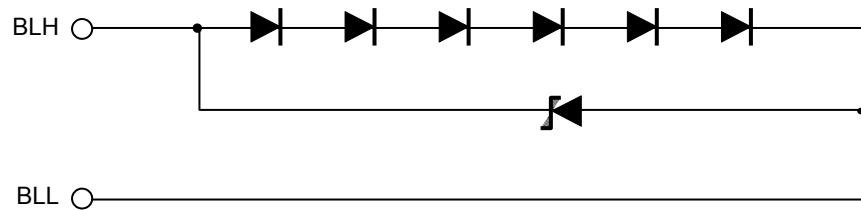


12. Reset sequence

Between the power is turned on and the RESET input is limited.
Please be sure to meet the following conditions.



13. LED Circuit



14. Characteristics

14.1 Optical Characteristics

< Measurement Condition >

Measuring instruments: CS1000 (KONICA MINOLTA) , LCD7200(OTSUKA ELECTRONICS) ,
EZcontrast160D (ELDIM)

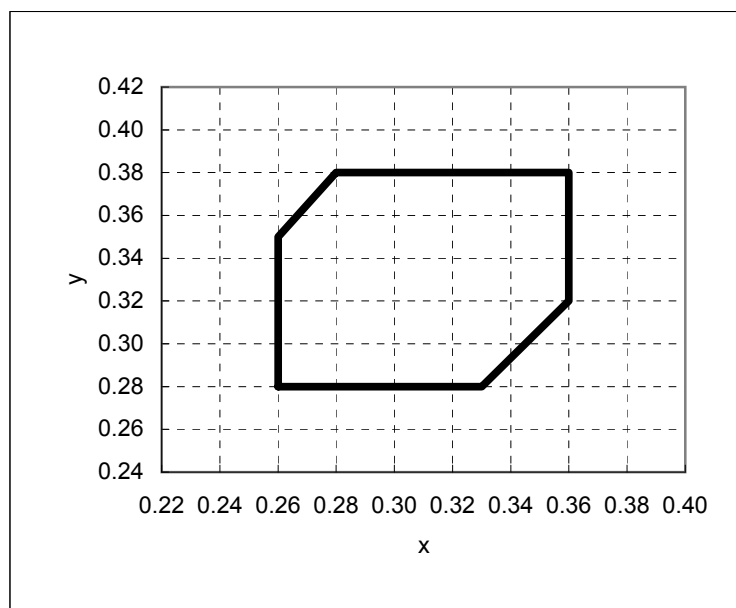
Driving condition: VDD = 3.0V, VSS = 0V
Optimized VCOMDC

Backlight: IL=6.5mA

Measured temperature: Ta=25° C

| Item | | Symbol | Condition | MIN | TYP | MAX | Unit | Note No. | Remark |
|-------------------------|---------------|--------|-----------------------------------|--|-----|-----|-------------------|----------|--------|
| Response time | Rise time | TON | [Data]= 00h → 3Fh | — | — | 60 | ms | 1 | |
| | Fall time | TOFF | [Data]= 3Fh → 00h | — | — | 40 | ms | | |
| Contrast ratio | Backlight ON | CR | [Data]= 3Fh / 00h | 480 | 800 | — | | 2 | |
| | Backlight OFF | | | — | 3 | — | | | |
| Viewing angle | Left | θL | [Data]= 3Fh / 00h CR ≥ (10) | 80 | — | — | deg | 3 | |
| | Right | θR | | 80 | — | — | deg | | |
| | Up | φU | | 80 | — | — | deg | | |
| | Down | φD | | 80 | — | — | deg | | |
| White Chromaticity | x | | White chromaticity range | | | | | 4 | |
| | y | | | | | | | | |
| Burn-in | | | | No noticeable burn-in image shall be observed after 2 hours of window pattern display. | | | | 5 | |
| Center brightness | | | [Data]=3Fh | 175 | 250 | — | cd/m ² | 6 | |
| Brightness distribution | | | [Data]=3Fh | 70 | — | — | % | 7 | |

* Note number 1 to 7: Refer to the APPENDIX of "Reference Method for Measuring Optical Characteristics".



White Chromaticity Range

【White Chromaticity Range】

| x | y |
|------|------|
| 0.26 | 0.28 |
| 0.33 | 0.28 |
| 0.36 | 0.32 |
| 0.36 | 0.38 |
| 0.28 | 0.38 |
| 0.26 | 0.35 |

14.2 Temperature Characteristics

< Measurement Condition >

Measuring instruments: CS1000 (KONICA MINOLTA) , LCD7200(OTSUKA ELECTRONICS)

Driving condition: VDD = 3.0V, VSS = 0V

Optimized VCOMDC

Backlight: IL=6.5mA

| Item | | Specification | | Remark | |
|-----------------|-----------|---|------------------|-----------------|--|
| | | Ta=-20°C | Ta=70°C | | |
| Contrast ratio | CR | 200 or more | 200 or more | Backlight ON | |
| Response time | Rise time | TON | 600 msec or less | 50 msec or less | |
| | Fall time | TOFF | 400 msec or less | 30 msec or less | |
| Display Quality | | No noticeable display defect or nonuniformity should be observed. | | | |

15. Criteria of Judgment

15.1 Defective Display and Screen Quality

Test Condition: Observed TFT-LCD monitor from front during operation with the following conditions

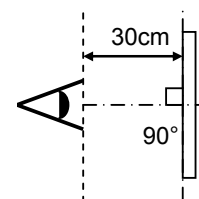
Driving Signal Raster Patter (RGB, white, black)

Signal condition [Data]: 00h, 28h, 3Fh (3steps)

Observation distance 30 cm

Illuminance 200 to 350 lx

Backlight IL=6.5mA



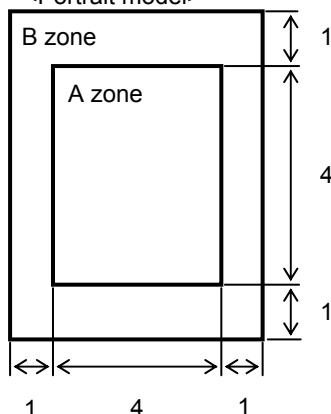
| Defect item | Defect content | Criteria | | |
|-----------------|------------------|--|--|------------|
| Display Quality | Line defect | Black, white or color line, 3 or more neighboring defective dots | Not exists | |
| | Dot defect | Uneven brightness on dot-by-dot base due to defective TFT or CF, or dust is counted as dot defect (brighter dot, darker dot) | Refer to table 1 | |
| | | High bright dot: Visible through 2% ND filter at [Data]=00h | ignored | |
| | | Low bright dot: Visible through 5% ND filter at [Data]=00h | | |
| Screen Quality | Dirt | Uneven brightness (white stain, black stain etc) | Invisible through 5% ND filter at Black screen. Invisible through 1% ND filter at other screen. | |
| | Foreign particle | Point-like | $0.25\text{mm} < \phi$ | N=0 |
| | | | $0.20\text{mm} < \phi \leq 0.25\text{mm}$ | $N \leq 2$ |
| | | | $\phi \leq 0.20\text{mm}$ | Ignored |
| | | Liner | $3.0\text{mm} < \text{length and } 0.08\text{mm} < \text{width}$ | N=0 |
| | | | $\text{length} \leq 3.0\text{mm or width} \leq 0.08\text{mm}$ | Ignored |
| Others | | | Use boundary sample for judgment when necessary | |

Permissible number: N

Table 1

| Area | High bright dot | Low bright dot | Dark dot | Total | Criteria |
|-------|-----------------|----------------|----------|-------|---|
| A | 0 | 2 | 2 | 3 | Permissible distance between same color bright dots (includes neighboring dots): 3 mm or more |
| B | 2 | 4 | 4 | 6 | |
| Total | 2 | 4 | 4 | 7 | |

<Portrait model>



Division of A and B areas
 B area: Active area
 Dimensional ratio between A and B areas: 1: 4: 1 (Refer to the left figure)

15.2 Screen and Other Appearance

Testing conditions

| | |
|----------------------|--------------|
| Observation distance | 30cm |
| Illuminance | 1200~2000 lx |

| Item | | Criteria | Remark |
|-----------|--------|---|--|
| Polarizer | Flaw | Ignore invisible defect when the backlight is on. | Applicable area: Active area only (Refer to the section 3.2 "Outward form") |
| | Stain | | |
| | Bubble | | |
| | Dust | | |
| | Dent | | |
| S-case | | No functional defect occurs | |
| FPC cable | | No functional defect occurs | |

16. Reliability Test

| Test item | | Test condition | | number of failures /number of examinations |
|-------------------------------|---|---|------------|---|
| Durability test | High temperature storage | Ta=80° C | 240hr | 0 / 3 |
| | Low temperature storage | Ta=-30° C | 240hr | 0 / 3 |
| | High temperature & high humidity storage | Ta=60° C, RH=90% non condensing | 240hr | 0 / 3 |
| | High temperature operation | Tp=70° C | 240hr | 0 / 3 |
| | Low temperature operation | Tp=-20° C | 240hr | 0 / 3 |
| | High temp & humid operation | Tp=40° C, RH=90% non condensing | 240hr | 0 / 3 |
| | Thermal shock storage | -30←→80° C(30min/30min) | 100 cycles | 0 / 3 |
| Mechanical environmental test | Electrostatic discharge test (Non operation) | Confirms to EIAJ ED-4701/300 C=200pF,R=0Ω,V=±200V Each 3 times of discharge on and power supply and other terminals. | | 0 / 3 |
| | Surface discharge test (Non operation) | C=250pF, R=100Ω, V=±12kV Each 5 times of discharge in both polarities on the center of screen with the case grounded. | | 0 / 3 |
| | Vibration test | Total amplitude 1.5mm, f=10~55Hz, X,Y,Z directions for each 2 hours | | 0 / 3 |
| | Impact test | Use ORTUS TECHNOLOGY original jig (see next page)and make an impact with peak acceleration of 1000m/s ² for 6 msec with half sine-curve at 3 times to each X, Y, Z directions in conformance with JIS C 60068-2-27-2011. | | 0 / 3 |
| Packing test | Packing vibration-proof test | Acceleration of 19.6m/s ² with frequency of 10→55→10Hz, X,Y, Zdirection for each 30 minutes | | 0 / 1 packing |
| | Packing drop test | Drop from 75cm high. 1 time to each 6 surfaces, 3 edges, 1 corner | | 0 / 1 packing |

Note: Ta=ambient temperature Tp=Panel temperature

※ The profile of high temperature/humidity storage and High Temperature/humidity operation (Pure water of over 10MΩ·cm shall be used.)

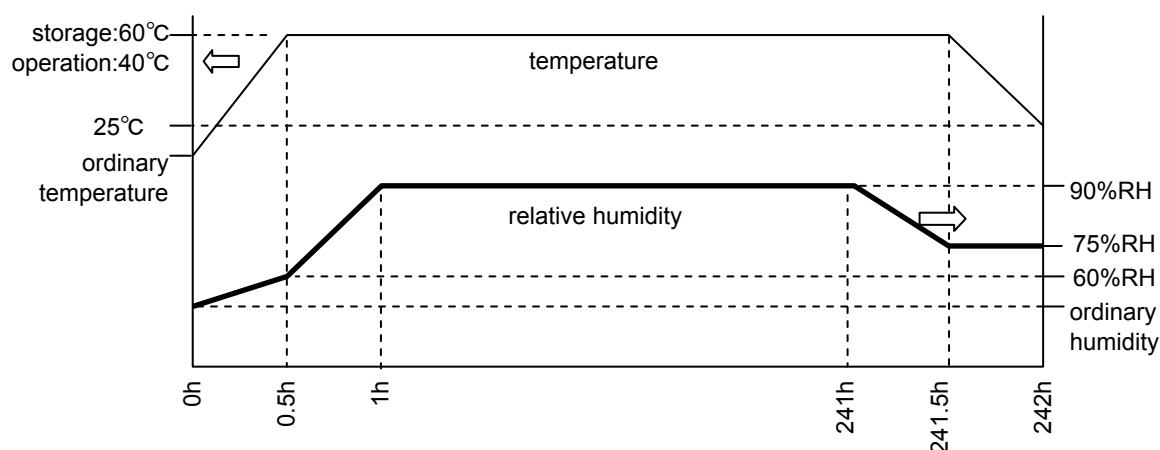
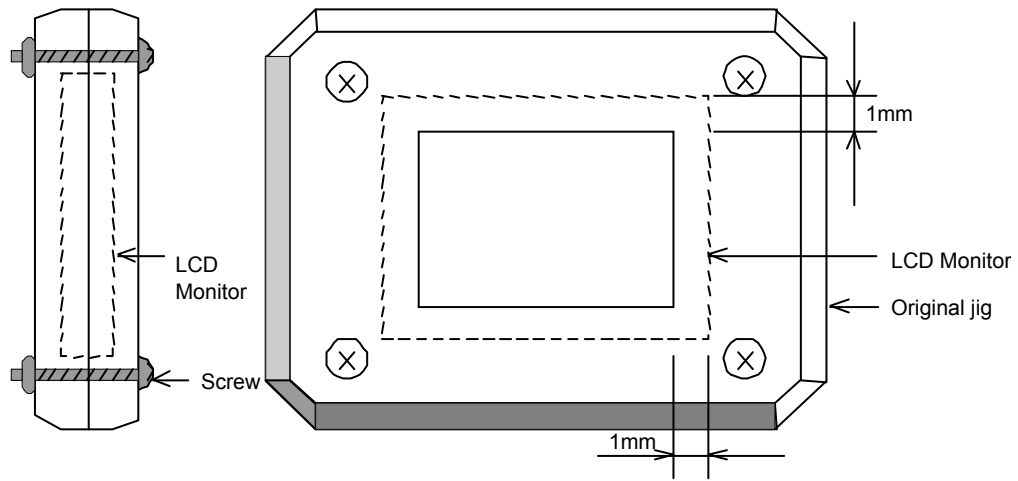


Table2.Reliability Criteria

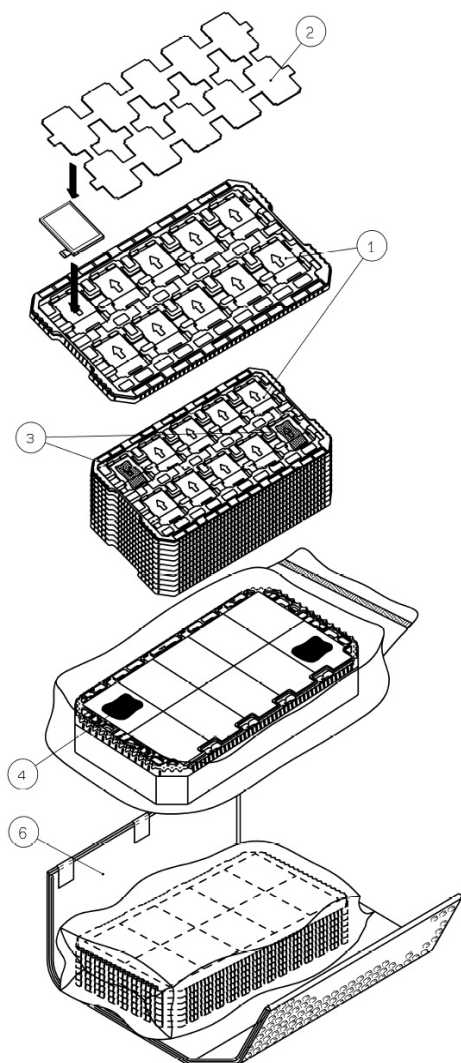
The parameters should be measured after leaving the monitor at the ordinary temperature for 24 hours or more after the test completion.

| item | Standard | Remarks |
|-----------------|--|--------------|
| Display quality | No visible abnormality shall be seen. (Except for unevenness by Pol deterioration.) | |
| Contrast ratio | 200 or more | Backlight ON |

ORTUS TECHNOLOGY Original Jig



17. Packing Specifications



Step 1. Each product is to be placed in one of the cut-outs of the tray with the display surface facing upward.
Foam sheet A are to be placed on the products in the tray.
(10 products per tray)

Step 2. Each tray is to be piled up in same orientation and the trays be in a stack of 10.
One empty tray is to be put on the top of stack of 10 trays.

Step 3. 2 packs of moisture absorbers are to be placed on the top tray as shown in the drawing.
Put piled trays into a sealing bag.

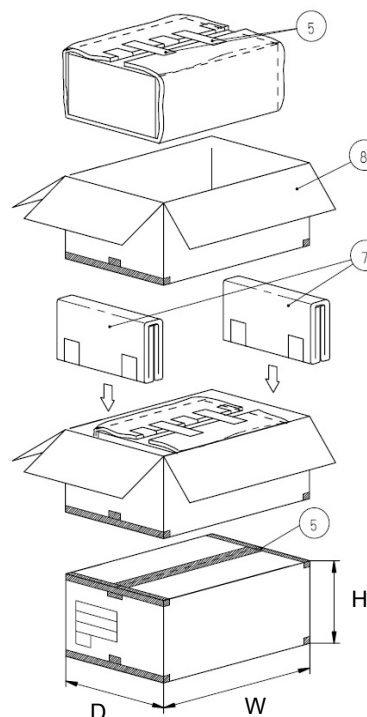
Step 4. Vacuum and seal the sealing bag with the vacuum sealing machine.

Step 5. The stack of trays in the plastic back is to be wrapped with B SHEET A.

Step 6. The wrapped trays are placed in the carton.

Step 7. B SHEET B are to be inserted into a outer carton with same orientation.
The outer carton is to be sealed in H-shape with packing tape as shown in the drawing.

Step 8. The model number, quantity of products, and shipping date are to be printed on the outer carton.
If necessary, shipping labels or impression markings are to be put on the outer carton.



Remark: The return of packing materials is not required.

| Packing item name | Specs., Material |
|-------------------|------------------------------|
| ① Tray | A-PET |
| ② FOAM SHEET | Anti-static polyethylene |
| ③ Drier | Moisture absorber |
| ④ Sealing bag | |
| ⑤ Packing tape | |
| ⑥ B SHEET A | Anti-static air babble sheet |
| ⑦ B SHEET B | Anti-static air babble sheet |
| ⑧ Outer carton | Corrugated cardboard |

| Dimension of outer carton | |
|--|-----------|
| D : Approx. | (356mm) |
| W : Approx. | (664mm) |
| H : Approx. | (182mm) |
| Quantity of products packed in one carton: | 100 |
| Gross weight : Approx. | 6.3 Kg |

18. Handling Instruction

18.1 Cautions for Handling LCD panels

**Caution**

- (1) Do not make an impact on the LCD panel glass because it may break and you may get injured from it.
- (2) If the glass breaks, do not touch it with bare hands.
(Fragment of broken glass may stick you or you cut yourself on it.)
- (3) If you get injured, receive adequate first aid and consult a medical doctor.
- (4) Do not let liquid crystal get into your mouth.
(If the LCD panel glass breaks, try not let liquid crystal get into your mouth even toxic property of liquid crystal has not been confirmed.)
- (5) If liquid crystal adheres, rinse it out thoroughly.
(If liquid crystal adheres to your cloth or skin, wipe it off with rubbing alcohol or wash it thoroughly with soap. If liquid crystal gets into eyes, rinse it with clean water for at least 15 minutes and consult an eye doctor.)
- (6) If you scrap this products, follow a disposal standard of industrial waste that is legally valid in the community, country or territory where you reside.
- (7) Do not connect or disconnect this product while its application products is powered on.
- (8) Do not attempt to disassemble or modify this product as it is precision component.
- (9) If a part of soldering part has been exposed, and avoid contact (short-circuit) with a metallic part of the case etc. about FPC of this model, please.
Please insulate it with the insulating tape etc. if necessary.
The defective operation is caused, and there is a possibility to generation of heat and the ignition.
- (10) Since excess current protection circuit is not built in this TFT module, there is the possibility that LCD module or peripheral circuit become feverish and burned in case abnormal operation is generated.
We recommend you to add excess current protection circuit to power supply.
- (11) The devices on the FPC are damageable to electrostatic discharge, because the terminals of the devices are exposed.
Wear grounded wrist-straps and use electrostatic neutralization blowers to prevent static charge and discharge when handling the TFT monitors.
Designate an appropriate operating area, and set equipment, tools, and machines properly when handling this product.

**Caution**

This mark is used to indicate a precaution or an instruction which, if not correctly observed, may result in bodily injury, or material damages alone.

18.2 Precautions for Handling

- 1) Wear finger tips at incoming inspection and for handling the TFT monitors to keep display quality and keep the working area clean.
Do not touch the surface of the monitor as it is easily scratched.
- 2) Wear grounded wrist-straps and use electrostatic neutralization blowers to prevent static charge and discharge when handling the TFT monitors as the LED in this TFT monitors is damageable to electrostatic discharge. Designate an appropriate operating area, and set equipment, tools, and machines properly when handling this product.
- 3) Avoid strong mechanical shock including knocking, hitting or dropping to the TFT monitors for protecting their glass parts. Do not use the TFT monitors that have been experienced dropping or strong mechanical shock.
- 4) Do not use or storage the TFT monitors at high temperature and high humidity environment. Particularly, never use or storage the TFT monitors at a location where condensation builds up.
- 5) Avoid using and storing TFT monitors at a location where they are exposed to direct sunlight or ultraviolet rays to prevent the LCD panels from deterioration by ultraviolet rays.
- 6) Do not stain or damage the contacts of the FPC cable .
FPC cable needs to be inserted until it can reach to the end of connector slot.
During insertion, make sure to keep the cable in a horizontal position to avoid an oblique insertion.
Otherwise, it may cause poor contact or deteriorate reliability of the FPC cable.
- 7) Do not bend or pull the FPC cable or carry the TFT monitor by holding the FPC cable.
- 8) Peel off the protective film on the TFT monitors during mounting process.
Refer to the section 18.5 on how to peel off the protective film.
We are not responsible for electrostatic discharge failures or other defects occur when peeling off the protective film.

18.3 Precautions for Operation

- 1) Since this TFT monitors are not equipped with light shielding for the driver IC, do not expose the driver IC to strong lights during operation as it may cause functional failures.
- 2) In case of powering up or powering off this LCD module, be sure to comply the sequence as instructed in this specification.
- 3) Do not plug in or out the FPC cable while power supply is switch on.
Plug the FPC cable in and out while power supply is switched off.
- 4) Do not operate the TFT monitors in the strong magnetic field. It may break the TFT monitors.
- 5) Do not display a fixed image on the screen for a long time.
Use a screen-saver or other measures to avoid a fixed image displayed on the screen for a long time.
Otherwise, it may cause burn-in image on the screen due the characteristics of liquid crystal.

18.4 Storage Condition for Shipping Cartons

Storage environment

- Temperature 0 to 40° C
- Humidity 60%RH or less
No-condensing occurs under low temperature with high humidity condition.
- Atmosphere No poisonous gas that can erode electronic components and/or wiring materials should be detected.
- Time period 1 year
- Unpacking To prevent damages caused by static electricity, anti-static precautionary measures (e.g. earthing, anti-static mat) should be implemented.
After unpack, keep product in the appropriate condition, otherwise bubble seal of Protective film may be printed on Polarizer.
- Maximum piling up 7 cartons

*Conditions to storage after unpacking

Storage environment

- Temperature 0 to 40° C
- Humidity 60%RH or less
No-condensing occurs under low temperature with high humidity condition.
- Atmosphere No poisonous gas that can erode electronic components and/or wiring materials should be detected.
- Time period 1 year (Shelf life)
- Others Keep/ store away from direct sunlight
Storage goods on original tray made by ORTUS.

18.5 Precautions for Peeling off the Protective film

The followings work environment and work method are recommended to prevent the TFT monitors from static damage or adhesion of dust when peeling off the protective films.

A) Work Environment

- a) Humidity: 50 to 70 %RH, Temperature 15 to 27 °C
- b) Operators should wear conductive shoes, conductive clothes, conductive finger tips and grounded wrist-straps. Anti-static treatment should be implemented to work area's floor.
- c) Use a room shielded against outside dust with sticky floor mat laid at the entrance to eliminate dirt.

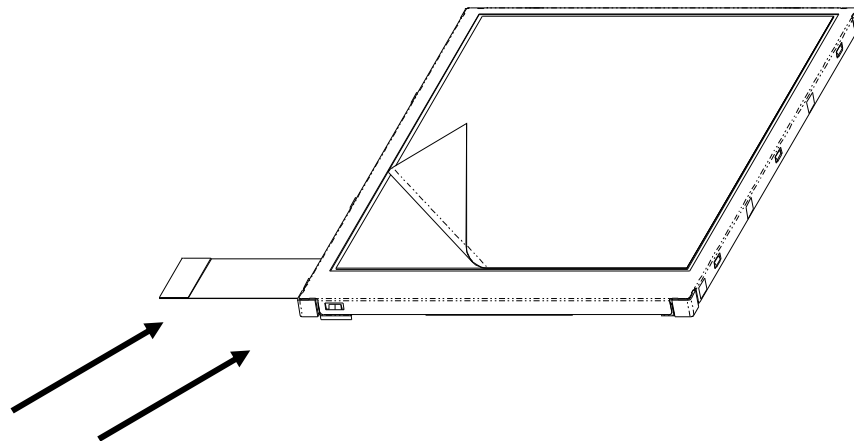
B) Work Method

The following procedures should taken to prevent the driver ICs from charging and discharging.

- a) Use an electrostatic neutralization blower to blow air on the TFT monitors to its lower left when FPC is placed at the left.

Optimize direction of the blowing air and the distance between the TFT monitors and the electrostatic neutralization blower.

- b) Put an adhesive tape (Scotch tape, etc) at the lower left corner area of the protective film to prevent scratch on surface of TFT monitors.
- c) Peel off the adhesive tape slowly (spending more than 2 secs to complete) by pulling it to opposite direction.



Direction of blowing air
(Optimize air direction and the distance)

18.6 Warranty

ORTUS is only liable to defective goods which is stored and used under the condition complying with this specifications and returned within 1 (one) year.

Warranty caused by manufacturing defect shall be conducted by replacement of goods or refundment at unit price.

APPENDIX

Reference Method for Measuring Optical Characteristics and Performance

1. Measurement Condition (Backlight ON)

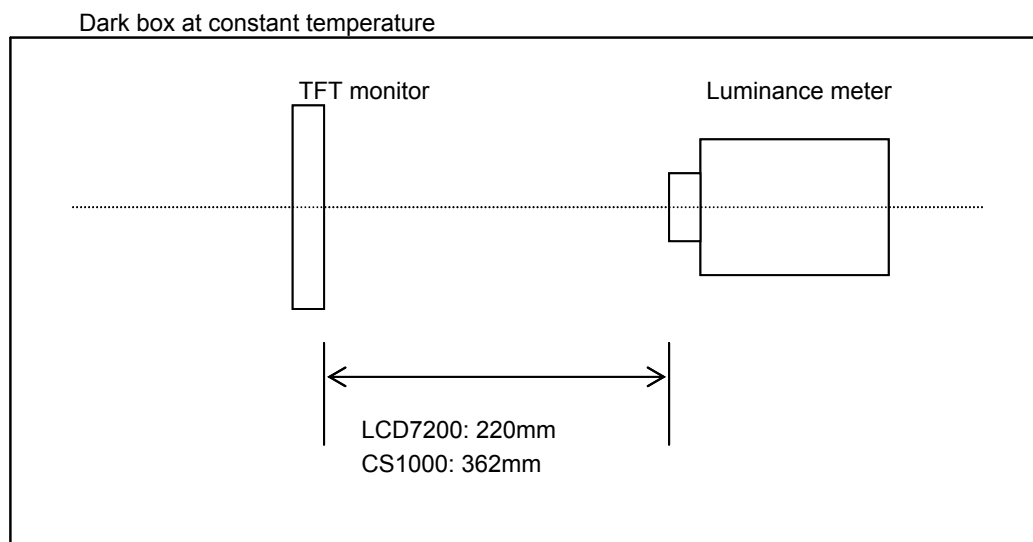
Measuring instruments: CS1000 (KONICA MINOLTA) , LCD7200(OTSUKA ELECTRONICS) ,EZcontrast160D (ELDIM)

Driving condition: Refer to the section "Optical Characteristics"

Measured temperature: 25° C unless specified

Measurement system: See the chart below. The luminance meter is placed on the normal line of measurement system.

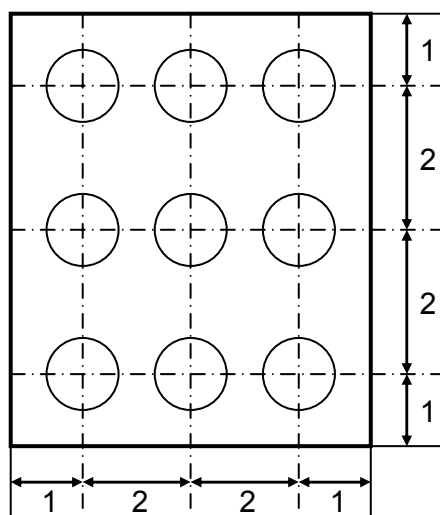
Measurement point: At the center of the screen unless otherwise specified



Measurement is made after 30 minutes of lighting of the backlight.

Measurement point: At the center point of the screen
Brightness distribution: 9 points shown in the following drawing.

<Portrait model>



Dimensional ratio of active area

Backlight IL=6.5mA

Measurement Condition (Contrast ratio Backlight OFF only)

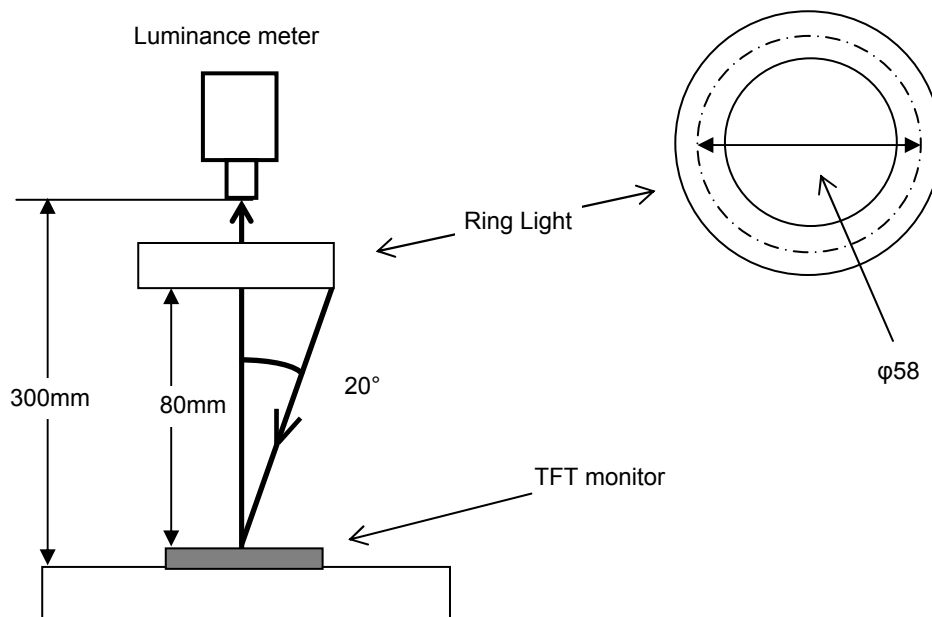
Measuring instruments: LCD7200(OTSUKA ELECTRONICS),Ring Light(40,000 lx, ϕ 58)

Driving condition: Refer to the section "Optical Characteristics"

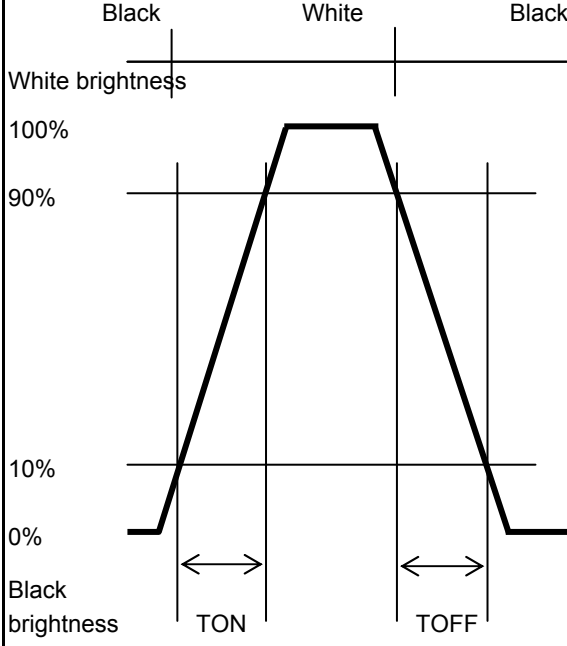
Measured temperature: 25° C unless specified

Measurement system: See the chart below.

Measurement point: At the center of the screen.



2. Test Method

| Notice | Item | Test method | Measuring instrument | Remark |
|--------|---|--|----------------------|---|
| 1 | Response time | <p>Measure output signal waveform by the luminance meter when raster of window pattern is changed from white to black and from black to white.</p>  | LCD7200 | <p>Black display [Data]=00h White display [Data]=3Fh TON Rise time TOFF Fall time</p> |
| 2 | Contrast ratio | <p>Measure maximum luminance Y1([Data]=3Fh) and minimum luminance Y2([Data]=00h) at the center of the screen by displaying raster or window pattern. Then calculate the ratio between these two values.</p> <p>Contrast ratio = Y1/Y2 Diameter of measuring point: 8mmφ(CS1000) Diameter of measuring point: 3mmφ(LCD7200)</p> | CS1000 | |
| 3 | Viewing angle Horizontalθ Verticalφ | Move the luminance meter from right to left and up and down and determine the angles where contrast ratio is 10. | EZcontrast160D | |
| 4 | White chromaticity | <p>Measure chromaticity coordinates x and y of CIE1931 colorimetric system at [Data] = 3Fh Color matching function: 2°view</p> | CS1000 | |
| 5 | Burn-in | Visually check burn-in image on the screen after 2 hours of "window display" ([Data]=00h/3Fh). | | At optimized VCOMDC |
| 6 | Center brightness | Measure the brightness at the center of the screen. | CS1000 | |
| 7 | Brightness distribution | <p>(Brightness distribution) = 100 x B/A % A : max. brightness of the 9 points B : min. brightness of the 9 points</p> | CS1000 | |

Version History

| Ver. | Date | Page | Description |
|-------------|---------------|------|-------------|
| 1.0 | Apr. 28, 2016 | - | - |
| First issue | | | |

Our company network supports you worldwide with offices in Germany, Austria, Switzerland, the UK and the USA. For more information please contact:

Headquarters

Germany



FORTEC Elektronik AG

Lechwiesenstr. 9
86899 Landsberg am Lech

Phone: +49 8191 91172-0
E-Mail: sales@forteca.de
Internet: www.forteca.de

Fortec Group Members

Austria



FORTEC Elektronik AG

Office Vienna

Nuschinggasse 12
1230 Wien

Phone: +43 1 8673492-0
E-Mail: office@fortec.at
Internet: www.fortec.at

Germany



Distec GmbH

Augsburger Str. 2b
82110 Germering

Phone: +49 89 894363-0
E-Mail: info@distec.de
Internet: www.distec.de

Switzerland



ALTRAC AG

Bahnhofstraße 3
5436 Würenlos

Phone: +41 44 7446111
E-Mail: info@altrac.ch
Internet: www.altrac.ch

United Kingdom



Display Technology Ltd.

Osprey House, 1 Osprey Court
Hichingbrooke Business Park
Huntingdon, Cambridgeshire, PE29 6FN

Phone: +44 1480 411600
E-Mail: info@displaytechnology.co.uk
Internet: www.displaytechnology.co.uk

USA



Apollo Display Technologies, Corp.

87 Raynor Avenue,
Unit 1 Ronkonkoma,
NY 11779

Phone: +1 631 5804360
E-Mail: info@apolloDisplays.com
Internet: www.apolloDisplays.com