



OUR GLOBAL  
COMPETENCE  
CENTRES

 APOLLO DISPLAY  
TECHNOLOGIES



 DISTEC



 DISPLAY  
TECHNOLOGY



# Datasheet

## Tianma

**NL6448BC33-71C**

10.4" TFT Display

NL-60-036

# TFT COLOR LCD MODULE

## NL6448BC33-71C

**26cm (10.4 Type)**

**VGA**

**LVDS interface (1port)**

**DATA SHEET** 

**DOD-PP-3071 (3rd edition)**

**This DATA SHEET is updated document from  
DATA SHEET DOD-PP-1420(2).**

**All information is subject to change without notice.  
Please confirm the sales representative before  
starting to design your system.**

## INTRODUCTION

The Copyright to this document belongs to Tianma Japan, Ltd. (hereinafter called "TMJ"). No part of this document will be used, reproduced or copied without prior written consent of TMJ.

TMJ does and will not assume any liability for infringement of patents, copyrights or other intellectual property rights of any third party arising out of or in connection with application of the products described herein except for that directly attributable to mechanisms and workmanship thereof. No license, express or implied, is granted under any patent, copyright or other intellectual property right of TMJ.

Some electronic products would fail or malfunction at a certain rate. In spite of every effort to enhance reliability of products by TMJ, the possibility of failures and malfunction might not be avoided entirely. To prevent the risks of damage to death, human bodily injury or other property arising out thereof or in connection therewith, each customer is required to take sufficient measures in its safety designs and plans including, but not limited to, redundant system, fire-containment and anti-failure.

The products are classified into three grades: "**Standard**", "**Special**", and "**Specific**".

Each quality grade is designed for applications described below. Any customer who intends to use a product for application other than that of Standard is required to contact TMJ sales representative in advance.

The **Standard**: Applications as any failure, malfunction or error of the products are free from any damage to death, human bodily injury or other property (Products Safety Issue) and not related the safety of the public (Social Issues), like general electric devices.

Examples: Office equipment, audio and visual equipment, communication equipment, test and measurement equipment, personal electronic equipment, home electronic appliances, car navigation system (with no vehicle control functions), seat entertainment monitor for vehicles and airplanes, fish finder (except marine radar integrated type), PDA, etc.

The **Special**: Applications as any failure, malfunction or error of the products might directly cause any damage to death, human bodily injury or other property (Products Safety Issue) and the safety of the public (Social Issues) and required high level reliability by conventional wisdom.

Examples: Vehicle/train/ship control system, traffic signals system, traffic information control system, air traffic control system, surgery/operation equipment monitor, disaster/crime prevention system, etc.

The **Specific**: Applications as any failure, malfunction or error of the products might severe cause any damage to death, human bodily injury or other property (Products Safety Issue) and the safety of the public (Social Issues) and developed, designed and manufactured in accordance with the standards or quality assurance program designated by the customer who requires extremely high level reliability and quality.

Examples: Aerospace system (except seat entertainment monitor), nuclear control system, life support system, etc.

The quality grade of this product is the "**Standard**" unless otherwise specified in this document.

**CONTENTS**

|   |           |
|---|-----------|
| <b>INTRODUCTION .....</b>   | <b>2</b>  |
| <b>1. OUTLINE .....</b>   | <b>4</b>  |
| 1.1 STRUCTURE AND PRINCIPLE.....                                      | 4         |
| 1.2 APPLICATION.....  | 4         |
| 1.3 FEATURES.....   | 4         |
| <b>2. GENERAL SPECIFICATIONS.....</b>                                 | <b>5</b>  |
| <b>3. BLOCK DIAGRAM.....</b>  | <b>6</b>  |
| <b>4. DETAILED SPECIFICATIONS.....</b>                                | <b>8</b>  |
| 4.1 MECHANICAL SPECIFICATIONS.....                                    | 8         |
| 4.2 ABSOLUTE MAXIMUM RATINGS .....                                    | 8         |
| 4.3 ELECTRICAL CHARACTERISTICS.....                                   | 9         |
| 4.3.1 LCD panel signal processing board .....                         | 9         |
| 4.3.2 Backlight.....  | 10        |
| 4.3.3 Power supply voltage ripple.....                                | 10        |
| 4.3.4 Fuse.....   | 10        |
| 4.4 POWER SUPPLY VOLTAGE SEQUENCE .....                               | 11        |
| 4.4.1 LCD panel signal processing board .....                         | 11        |
| 4.4.2 LED driver .....  | 11        |
| 4.5 CONNECTIONS AND FUNCTIONS FOR INTERFACE PINS.....                 | 12        |
| 4.5.1 LCD panel signal processing board .....                         | 12        |
| 4.5.2 Backlight.....  | 13        |
| 4.5.3 Positions of socket .....                                       | 13        |
| 4.5.4 Connection between receiver and transmitter for LVDS .....      | 14        |
| 4.5.5 Input data mapping.....   | 17        |
| 4.6 DISPLAY COLORS AND INPUT DATA SIGNALS .....                       | 18        |
| 4.6.1 Combinations of input data signals and FRC and MSL signal ..... | 18        |
| 4.6.2 16,777,216 colors.....  | 19        |
| 4.6.3 262,144 colors.....   | 20        |
| 4.7 DISPLAY POSITIONS.....  | 21        |
| 4.8 SCANNING DIRECTIONS .....   | 21        |
| 4.9 INPUT SIGNAL TIMINGS.....   | 22        |
| 4.9.1 Outline of input signal timings.....                            | 22        |
| 4.9.2 Timing characteristics .....                                    | 23        |
| 4.9.3 Input signal timing chart .....                                 | 24        |
| 4.10 OPTICS.....  | 25        |
| 4.10.1 Optical characteristics .....                                  | 25        |
| 4.10.2 Definition of contrast ratio .....                             | 26        |
| 4.10.3 Definition of luminance uniformity .....                       | 26        |
| 4.10.4 Definition of response times .....                             | 26        |
| 4.10.5 Definition of viewing angles.....                              | 26        |
| <b>5. ESTIMATED LUMINANCE LIFETIME .....</b>                          | <b>27</b> |
| <b>6. RELIABILITY TESTS .....</b>                                     | <b>28</b> |
| <b>7. PRECAUTIONS.....</b>  | <b>29</b> |
| 7.1 MEANING OF CAUTION SIGNS .....                                    | 29        |
| 7.2 CAUTIONS .....  | 29        |
| 7.3 ATTENTIONS .....  | 29        |
| 7.3.1 Handling of the product .....                                   | 29        |
| 7.3.2 Environment.....  | 30        |
| 7.3.3 Characteristics.....  | 30        |
| 7.3.4 Others.....   | 30        |
| <b>8. OUTLINE DRAWINGS.....</b>                                       | <b>31</b> |
| 8.1 FRONT VIEW .....  | 31        |
| 8.2 REAR VIEW .....   | 32        |

## 1. OUTLINE

### 1.1 STRUCTURE AND PRINCIPLE

Color LCD module NL6448BC33-71C is composed of the amorphous silicon thin film transistor liquid crystal display (a-Si TFT LCD) panel structure with driver LSIs for driving the TFT (Thin Film Transistor) array and a backlight.

The a-Si TFT LCD panel structure is injected liquid crystal material into a narrow gap between the TFT array glass substrate and a color-filter glass substrate.

Color (Red, Green, Blue) data signals from a host system (e.g. signal generator, etc.) are modulated into best form for active matrix system by a signal processing board, and sent to the driver LSIs which drive the individual TFT arrays.

The TFT array as an electro-optical switch regulates the amount of transmitted light from the backlight assembly, when it is controlled by data signals. Color images are created by regulating the amount of transmitted light through the TFT array of red, green and blue dots.

### 1.2 APPLICATION

- For industrial use

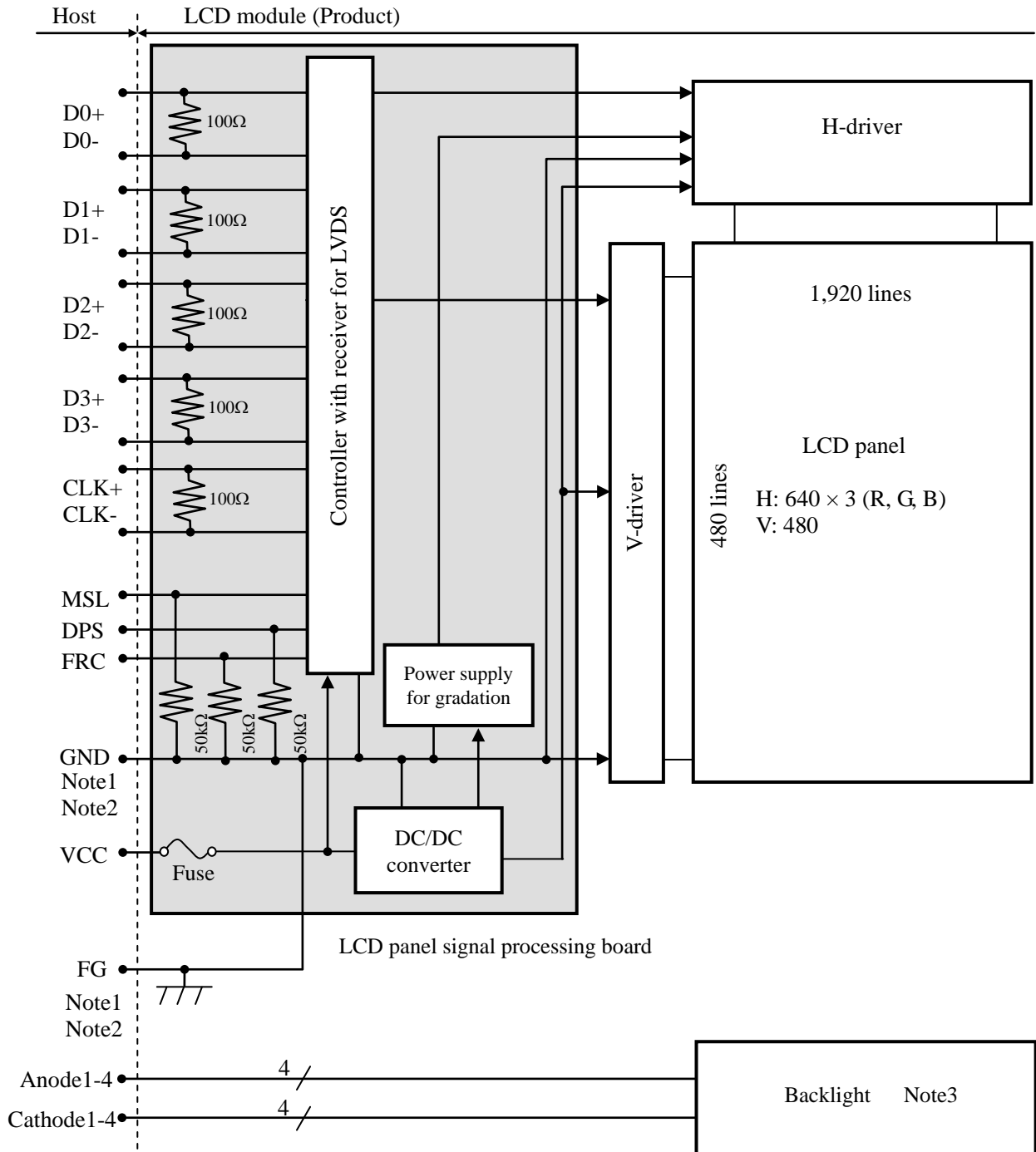
### 1.3 FEATURES

- Adoption of T-EVT (Transmissive- Enhanced View TFT) ☆
- High luminance
- High contrast
- Low reflection
- ColorXcell technology (Color Enhancement)
- Wide viewing angle
- Wide temperature range
- LVDS interface
- Reversible-scan direction
- Long life LED backlight
- Selectable 8-bit or 6-bit digital signals for data of RGB
- Replaceable lamp for backlight
- Acquisition product for UL60950-1/CSA C22.2 No.60950-1-03 (File number: E170632)
- Compliant with the European RoHS directive (2011/65/EU) ☆

**2. GENERAL SPECIFICATIONS**

|                                   |   |
|-----------------------------------|---|
| <b>Display area</b>               | 211.2 (H) × 158.4 (V) mm  |
| <b>Diagonal size of display</b>   | 26cm (10.4 inches)  |
| <b>Drive system</b>               | a-Si TFT active matrix  |
| <b>Display color</b>              | 16,777,216 colors (At 8-bit input, FRC terminal= High)<br>262,144 colors (At 6-bit input, FRC terminal= Low or Open)  |
| <b>Pixel</b>                      | 640 (H) × 480 (V) pixels  |
| <b>Pixel arrangement</b>          | RGB (Red dot, Green dot, Blue dot) vertical stripe  |
| <b>Dot pitch</b>                  | 0.11 (H) × 0.33 (V) mm  |
| <b>Pixel pitch</b>                | 0.33 (H) × 0.33 (V) mm  |
| <b>Module size</b>                | 243.0 (W) × 185.1 (H) × 10.5 (D) mm (typ.)  |
| <b>Weight</b>                     | 475g (typ.)   |
| <b>Contrast ratio</b>             | 900:1 (typ.)  |
| <b>Viewing angle</b>              | At the contrast ratio ≥ 10:1 <ul style="list-style-type: none"> <li>• Horizontal: Right side 80° (typ.), Left side 80° (typ.)</li> <li>• Vertical: Up side 80° (typ.), Down side 80° (typ.)</li> </ul>  |
| <b>Designed viewing direction</b> | At DPS= Low or Open: Normal scan <ul style="list-style-type: none"> <li>• Viewing direction without image reversal: Up side (12 o'clock)</li> <li>• Viewing direction with contrast peak: Down side (6 o'clock)</li> <li>• Viewing angle with optimum grayscale (<math>\gamma=2.2</math>): Normal axis (perpendicular)</li> </ul>   |
| <b>Polarizer surface</b>          | Clear + Antireflection (AR)   |
| <b>Polarizer pencil-hardness</b>  | 2H (min.) [by JIS K5600]  |
| <b>Color gamut</b>                | At LCD panel center<br>40% (typ.) [against NTSC color space]  |
| <b>Response time</b>              | $T_{on} + T_{off}$ (10% ← → 90%)<br>18ms (typ.)   |
| <b>Luminance</b>                  | At $I_L = 50mA/One\ circuit$<br>900cd/m <sup>2</sup> (typ.)   |
| <b>Signal system</b>              | LVDS interface (1 port)<br>(Receiver: THC63LVDF84B, THine Electronics Inc. or equivalent)<br>[8-bit/6-bit digital signals for data of RGB colors, Dot clock (CLK), Data enable (DE)]  |
| <b>Power supply voltage</b>       | LCD panel signal processing board: 3.3V   |
| <b>Backlight</b>                  | LED backlight :<br><div style="display: flex; align-items: center;"> <div style="font-size: 2em; margin-right: 10px;">{</div> <div style="margin-right: 10px;">Replaceable part</div> <div style="margin-right: 10px;">• Lamp holder set: 104LHS57</div> <div style="font-size: 2em; margin-left: 10px;">}</div> </div> <div style="display: flex; align-items: center; margin-top: 10px;"> <div style="font-size: 2em; margin-right: 10px;">{</div> <div style="margin-right: 10px;">Recommended LED driver board (Option)</div> <div style="margin-right: 10px;">• LED driver board : 104PW01F</div> <div style="margin-right: 10px;">• Corresponding wiring harness: 121CBL02</div> <div style="font-size: 2em; margin-left: 10px;">}</div> </div> |
| <b>Power consumption</b>          | At $I_L = 50mA/One\ circuit$ , Checkered flag pattern<br>6.2W (typ.)  |

**3. BLOCK DIAGRAM**



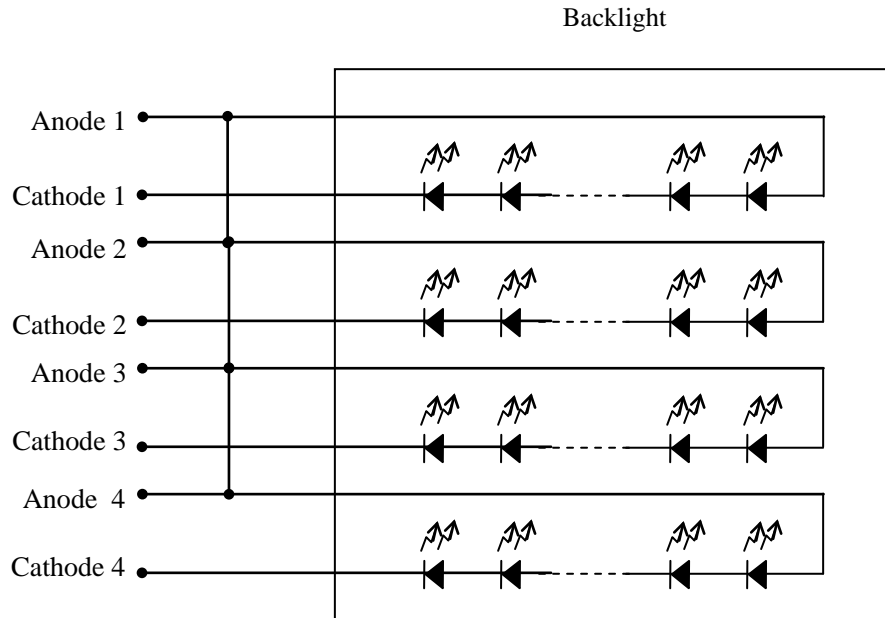
Note1: Relation between GND (Signal ground) and FG (Frame ground) in the LCD module is as follows.

|          |           |
|----------|-----------|
| GND - FG | Connected |
|----------|-----------|

Note2: GND and FG must be connected to customer equipment's ground, and it is recommended that these grounds to be connected together in customer equipment.



Note3: Backlight in detail



**4. DETAILED SPECIFICATIONS**
**4.1 MECHANICAL SPECIFICATIONS**

| Parameter    | Specification   | Unit |
|--------------|---|------|
| Module size  | 243.0 ± 0.5 (W) × 185.1 ± 0.5 (H) × 10.5 ± 0.5 (D) <span style="float: right;">Note1</span> | mm   |
| Display area | 211.2 (H) × 158.4 (V) <span style="float: right;">Note1</span>                              | mm   |
| Weight       | 475 (typ.), 500 (max.)  | g    |

Note1: See "8. OUTLINE DRAWINGS".

**4.2 ABSOLUTE MAXIMUM RATINGS**

| Parameter                  |                                   | Symbol | Rating          | Unit             | Remarks          |
|----------------------------|-----------------------------------|--------|-----------------|------------------|------------------|
| Power supply voltage       | LCD panel signal processing board | VCC    | -0.3 to +4.0    | V                | -                |
| Input voltage for signals  | Display signals<br>Note1          | VD     | -0.3 to VCC+0.3 | V                |                  |
|                            | Function signals<br>Note2         | VF     |                 |                  |                  |
| Backlight                  | Forward current                   | IL     | 60              | mA               | per one circuit  |
| Incident light intensity   |                                   | II     | 150,000         | lx               | Note3            |
| Storage temperature        |                                   | Tst    | -30 to +80      | °C               | -                |
| Operating temperature      | Front surface                     | TopF   | -30 to +80      | °C               | Note4            |
|                            | Rear surface                      | TopR   | -30 to +80      | °C               | Note5            |
| Relative humidity<br>Note6 |                                   | RH     | ≤ 95            | %                | Ta ≤ 40°C        |
|                            |                                   |        | ≤ 85            | %                | 40°C < Ta ≤ 50°C |
|                            |                                   |        | ≤ 55            | %                | 50°C < Ta ≤ 60°C |
|                            |                                   |        | ≤ 36            | %                | 60°C < Ta ≤ 70°C |
|                            |                                   |        | ≤ 24            | %                | 70°C < Ta ≤ 80°C |
| Absolute humidity<br>Note6 |                                   | AH     | ≤ 70<br>Note7   | g/m <sup>3</sup> | Ta= 80°C         |

Note1: D0+/-, D1+/-, D2+/-, D3+/-, CLK+/-

Note2: DPS, FRC, MSL

Note3: If the product surface (polarizer) is exposed to an ultraviolet ray, the polarizer may discolor (Surface treatment may be damaged.). Use a filter to protect the polarizer from the ultraviolet ray.

Note4: Measured at LCD panel surface (including self-heat)

Note5: Measured at LCD module's rear shield surface (including self-heat)

Note6: No condensation

Note7: Water amount at Ta= 80°C and RH= 24%



**4.3 ELECTRICAL CHARACTERISTICS**
**4.3.1 LCD panel signal processing board**

(Ta= 25°C, Note1)

| Parameter                                  | Symbol | min. | typ.         | max.         | Unit   | Remarks      |                       |
|--|--------|------|--------------|--------------|--------|--------------|-----------------------|
| Power supply voltage                       | VCC    | 3.0  | 3.3          | 3.6          | V      | -            |                       |
| Power supply current                       | ICC    | -    | 250<br>Note2 | 370<br>Note3 | mA     | at VCC= 3.3V |                       |
| Permissible ripple voltage                 | VRP    | -    | -            | 100          | mVp-p  | for VCC      |                       |
| Differential input threshold voltage       | High   | VTH  | -            | -            | +100   | mV           | at VCM= 1.2V<br>Note4 |
|  | Low    | VTL  | -100         | -            | -      | mV           |                       |
| Terminating resistance                     | RT     | -    | 100          | -            | Ω      | -            |                       |
| Input voltage for DPS, FRC and MSL signals | High   | VFH  | 0.7VCC       | -            | VCC    | V            | CMOS level            |
|  | Low    | VFL  | 0            | -            | 0.3VCC | V            |                       |
| Input current for DPS, FRC and MSL signals | High   | IFH  | -            | -            | 300    | μA           | -                     |
|  | Low    | IFL  | -300         | -            | -      | μA           |                       |

Note1: When designing of the power supply, take the measures for the prevention of surge voltage.

Note2: Checkered flag pattern [by IEC61747-6]

Note3: Pattern for maximum current

Note4: Common mode voltage for LVDS receiver

 ☆  
☆

### 4.3.2 Backlight

(Ta= 25°C, Note1, Note2, Note3)

| Parameter       | Symbol | min. | typ. | max. | Unit | Remarks                                  |
|-----------------|--------|------|------|------|------|--|
| Forward current | IL     | -    | 50.0 | 55.0 | mA   | -  |
| Forward Voltage | VL     | 23.8 | 27.0 | 30.6 | V    | Ta= +25°C<br>at IL= 50mA<br>/One circuit |
|                 |        | 21.3 | -    | -    |      | Ta= +80°C<br>at IL= 50mA<br>/One circuit |
|                 |        | -    | -    | 33.6 |      | Ta= -30°C<br>at IL= 50mA<br>/One circuit |
|                 |        | -    | -    | 33.9 |      | Ta= -30°C<br>at IL= 55mA<br>/One circuit |

Note1: Please drive with constant current.

Note2: The above specifications are for one LED circuit of the backlight.

Note3: The Luminance uniformity may be changed depending on the current variation between 4 circuits. It is recommended that the current value difference among the circuits be less than 5%.

### 4.3.3 Power supply voltage ripple

This product works even if the ripple voltage levels are over the permissible values as the following table, but there might be noise on the display image.

| Power supply voltage |      | Ripple voltage<br>(Measure at input terminal of power supply) | Note1 | Unit  |
|----------------------|------|---|-------|-------|
| VCC                  | 3.3V | ≤ 100   |       | mVp-p |

Note1: The permissible ripple voltage includes spike noise.

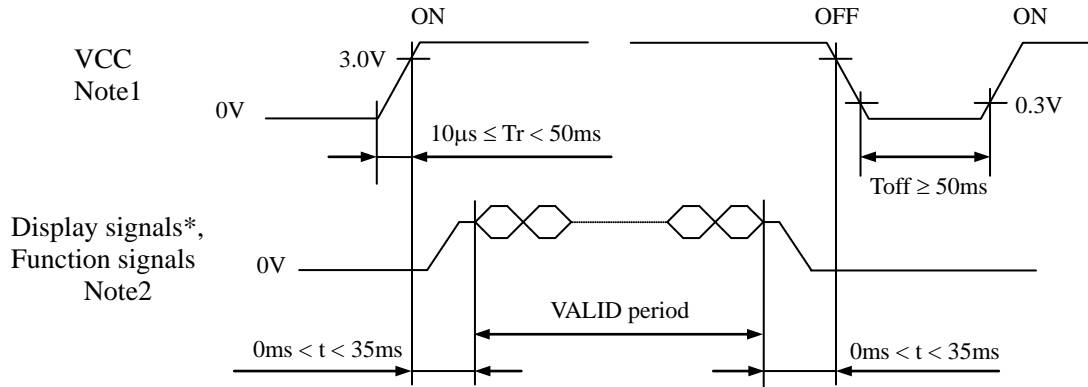
### 4.3.4 Fuse

| Parameter | Fuse       |                              | Rating | Fusing current | Remarks |
|-----------|------------|------------------------------|--------|----------------|---------|
|           | Type       | Supplier                     |        |                |         |
| VCC       | FCC16202AB | KAMAYA<br>ELECTRIC Co., Ltd. | 2.0A   | 4.0A           | Note1   |
|           |            |                              | 36V    |                |         |

Note1: The power supply's rated current must be more than the fusing current. If it is less than the fusing current, the fuse may not blow in a short time, and then nasty smell, smoke and so on may occur.

4.4 POWER SUPPLY VOLTAGE SEQUENCE

4.4.1 LCD panel signal processing board



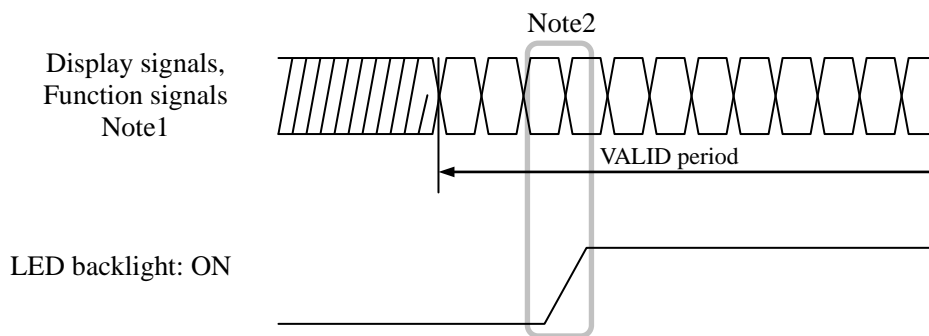
\* These signals should be measured at the terminal of 100Ω resistance.

Note1: If there is a voltage variation (voltage drop) at the rising edge of VCC below 3.0V, there is a possibility that a product does not work due to a protection circuit.

Note2: Display signals (D0+/-, D1+/-, D2+/-, D3+/- and CLK+/-) and function signals (DPS and FRC) must be set to Low or High-impedance, except the VALID period (See above sequence diagram), in order to avoid the circuitry damage.

If some of display and function signals of this product are cut while this product is working, even if the signal input to it once again, it might not work normally. If a customer stops the display and function signals, VCC also must be shut down.

4.4.2 LED driver



Note1: These are the display and function signals for LCD panel signal processing board.

Note2: The backlight should be turned on within the VALID period of display and function signals, in order to avoid unstable data display.

**4.5 CONNECTIONS AND FUNCTIONS FOR INTERFACE PINS**
**4.5.1 LCD panel signal processing board**

CN1 socket (LCD module side): FI-SE20P-HFE (Japan Aviation Electronics Industry Limited (JAE))  
 Adaptable plug: FI-S20S (Japan Aviation Electronics Industry Limited (JAE))

| Pin No. | Symbol | Signal                            | Input data signal: 8-bit |                             | Input data signal: 6-bit | Remarks |                |
|---------|--------|-----------------------------------|--------------------------|-----------------------------|--------------------------|---------|----------------|
|         |        |                                   | MAP A                    | MAP B                       |                          |         |                |
| 1       | A      | D3+                               | Pixel data               | R0-R1,G0-G1,B0-B1           | R6-R7,G6-G7,B6-B7        | -       | Note1<br>Note2 |
|         | B      | GND                               | Ground                   | -                           |                          | Ground  | Note3          |
| 2       | A      | D3-                               | Pixel data               | R0-R1,G0-G1,B0-B1           | R6-R7,G6-G7,B6-B7        | -       | Note1<br>Note2 |
|         | B      | GND                               | Ground                   | -                           |                          | Ground  | Note3          |
| 3       | DPS    | Selection of scan direction       | High :<br>Low or Open :  | Reverse scan<br>Normal scan |                          |         | Note4          |
| 4       | FRC    | Selection of the number of colors | High                     |                             | Low or Open              |         | Note1<br>Note5 |
| 5       | GND    | Ground                            | Ground                   |                             |                          |         | Note3          |
| 6       | CLK+   | Pixel clock                       | Pixel clock              |                             |                          |         | Note2          |
| 7       | CLK-   |                                   |                          |                             |                          |         |                |
| 8       | GND    | Ground                            | Ground                   |                             |                          |         | Note3          |
| 9       | D2+    | Pixel data                        | B4-B7,DE                 | B2-B5,DE                    |                          |         | Note2          |
| 10      | D2-    |                                   |                          |                             |                          |         |                |
| 11      | GND    | Ground                            | Ground                   |                             |                          |         | Note3          |
| 12      | D1+    | Pixel data                        | G3-G7,B2-B3              | G1-G5,B0-B1                 |                          |         | Note2          |
| 13      | D1-    |                                   |                          |                             |                          |         |                |
| 14      | GND    | Ground                            | Ground                   |                             |                          |         | Note3          |
| 15      | D0+    | Pixel data                        | R2-R7,G2                 | R0-R5,G0                    |                          |         | Note2          |
| 16      | D0-    |                                   |                          |                             |                          |         |                |
| 17      | GND    | Ground                            | Ground                   |                             |                          |         | Note3          |
| 18      | MSL    | Selection of LVDS input map       | Low or Open              | High                        | Low or Open              |         | Note5          |
| 19      | VCC    | Power supply                      | Power supply             |                             |                          |         | Note3          |
| 20      | VCC    |                                   |                          |                             |                          |         |                |

Note1: See "**4.6 DISPLAY COLORS AND INPUT DATA SIGNALS**".

Note2: Twist pair wires with 100Ω (Characteristic impedance) should be used between LCD panel signal processing board and LVDS transmitter.

Note3: All GND and VCC terminals should be used without any non-connected lines.

Note4: See "**4.8 SCANNING DIRECTIONS**".

Note5: See "**4.5.4 Connection between receiver and transmitter for LVDS**".

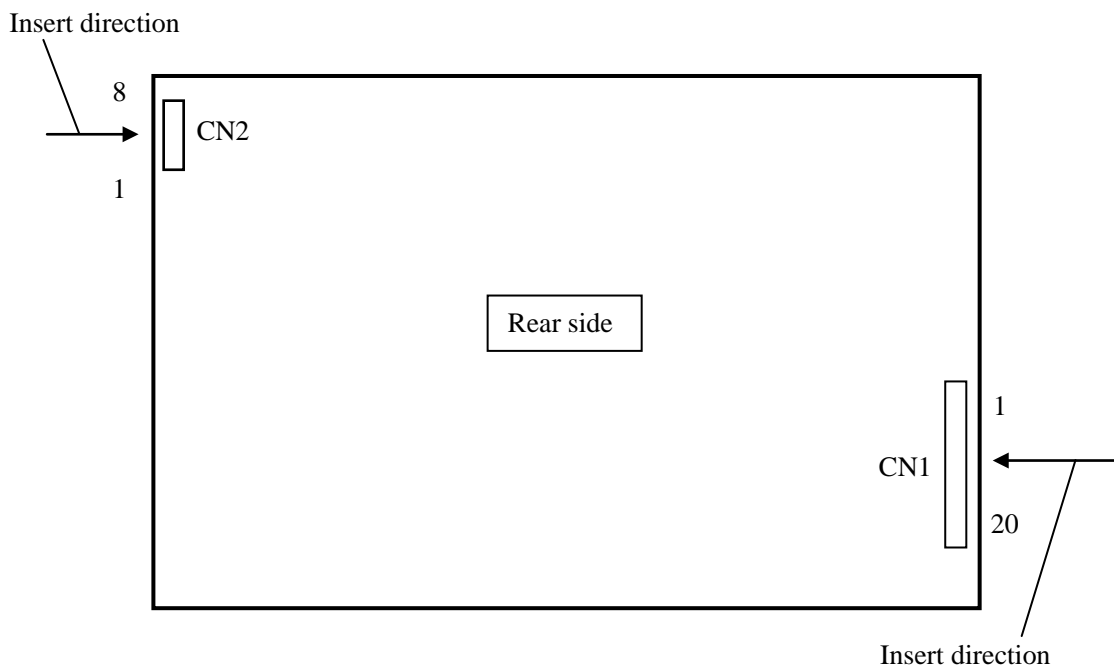


4.5.2 Backlight

CN2 socket (LCD module side): SM08B-SRSS-TB (J.S.T. Mfg. Co., Ltd.)  
 Adaptable plug: SHR-08V-S, SHR-08V-S-B (J.S.T. Mfg. Co., Ltd.)

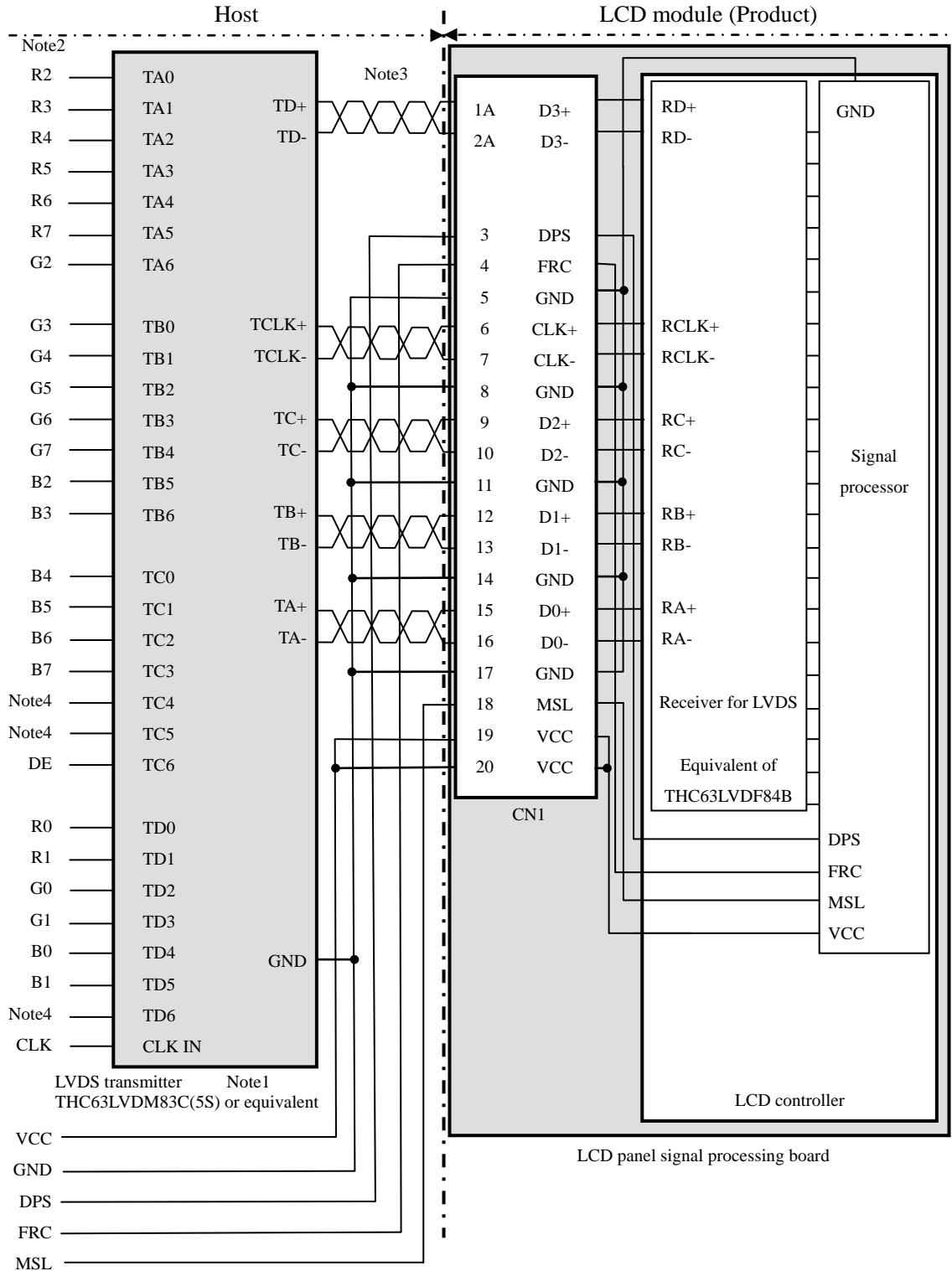
| Pin No. | Symbol | Signal   | Remarks |
|---------|--------|----------|---------|
| 1       | A1     | Anode1   | -       |
| 2       | K1     | Cathode1 | -       |
| 3       | A2     | Anode2   | -       |
| 4       | K2     | Cathode2 | -       |
| 5       | A3     | Anode3   | -       |
| 6       | K3     | Cathode3 | -       |
| 7       | A4     | Anode4   | -       |
| 8       | K4     | Cathode4 | -       |

4.5.3 Positions of socket



4.5.4 Connection between receiver and transmitter for LVDS

(1) Input data signal: 8-bit, MAP A (FRC: High, MSL: Low or Open)



Note1: Recommended transmitter THC63LVDM83C(5S) (THine Electronics Inc.) or equivalent

Note2: LSB (Least Significant Bit) - R0, G0, B0 MSB (Most Significant Bit) - R7, G7, B7

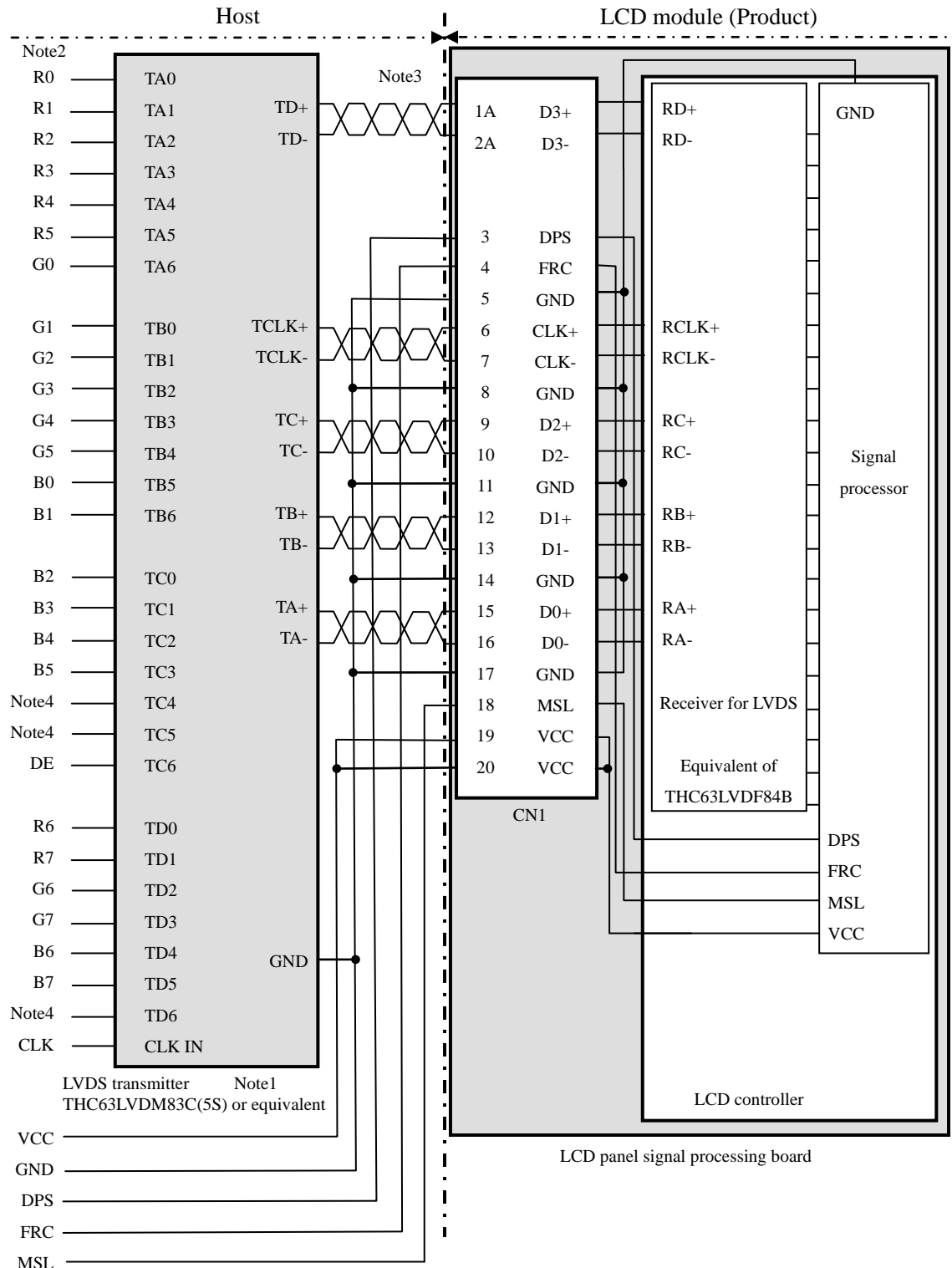
Note3: Twist pair wires with 100Ω (Characteristic impedance) should be used between LCD panel signal processing board and LVDS transmitter.

Note4: Input signals to TC4, TC5 and TD6 are not used inside the product, but do not keep them open to avoid noise problem.





(2) Input data signal: 8-bit, MAP B (FRC: High, MSL: High)



Note1: Recommended transmitter: THC63LVDM83C(5S) (THine Electronics Inc.) or equivalent

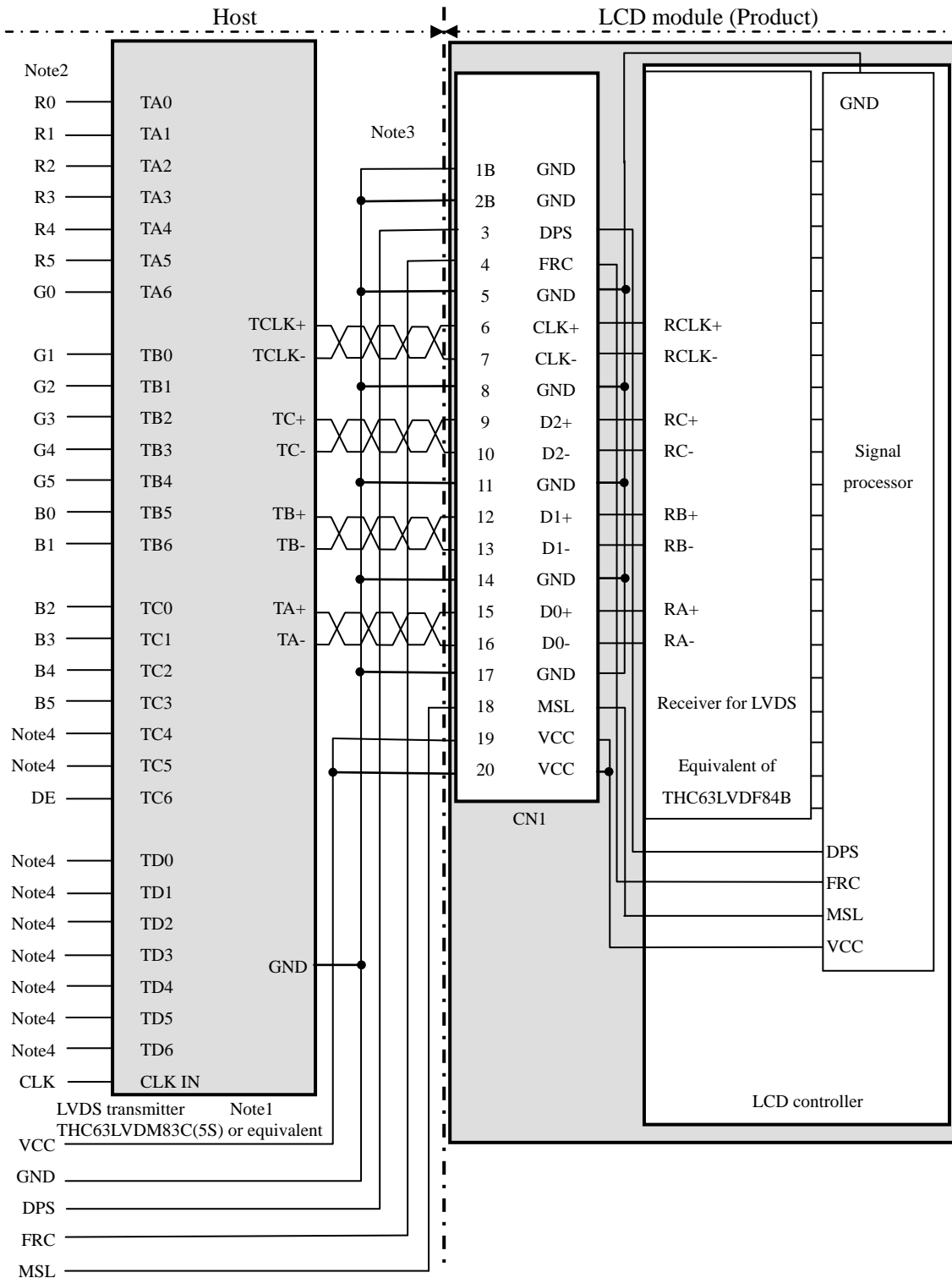
Note2: LSB (Least Significant Bit) – R0, G0, B0 MSB (Most Significant Bit) – R7, G7, B7

Note3: Twist pair wires with 100Ω (Characteristic impedance) should be used between LCD panel signal processing board and LVDS transmitter.

Note4: Input signals to TC4, TC5 and TD6 are not used inside the product, but do not keep them open to avoid noise problem.



(3) Input data signal: 6-bit (FRC: Low or Open, MSL: Low or Open)



Note1: Recommended transmitter THC63LVDM83C(5S) (THine Electronics Inc.) or equivalent

Note2: LSB (Least Significant Bit) – R0, G0, B0 MSB (Most Significant Bit) – R5, G5, B5

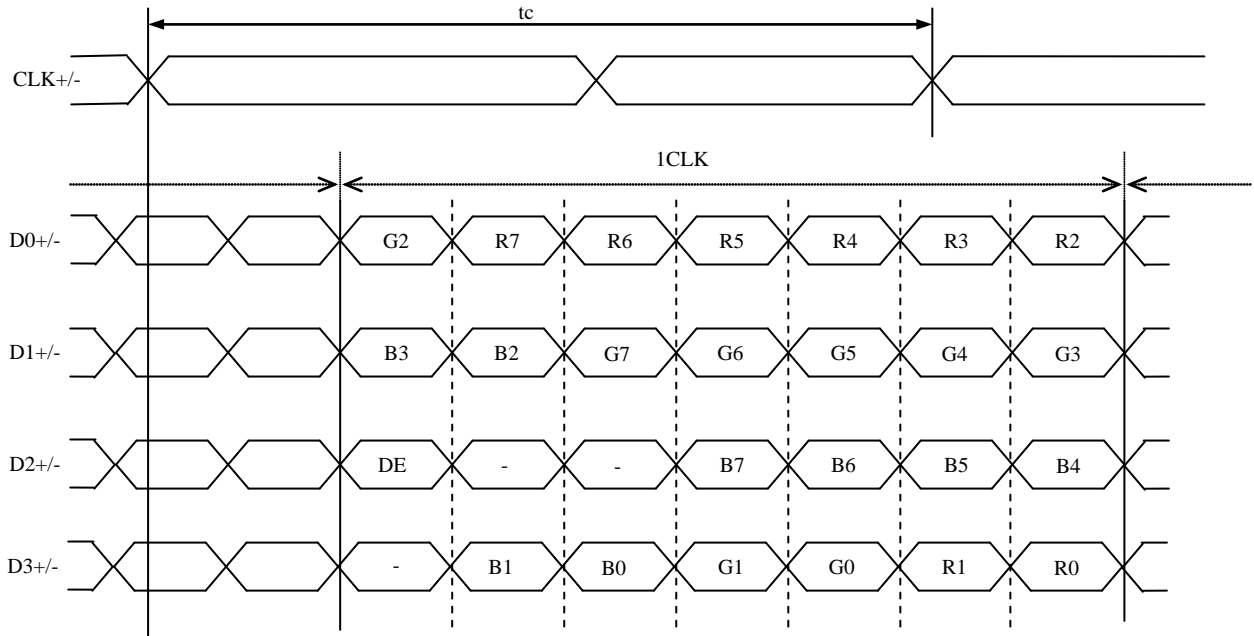
Note3: Twist pair wires with 100Ω (Characteristic impedance) should be used between LCD panel signal processing board and LVDS transmitter.

Note4: Input signals to TC4, TC5 and TD0-6 are not used inside the product, but do not keep them open to avoid noise problem.

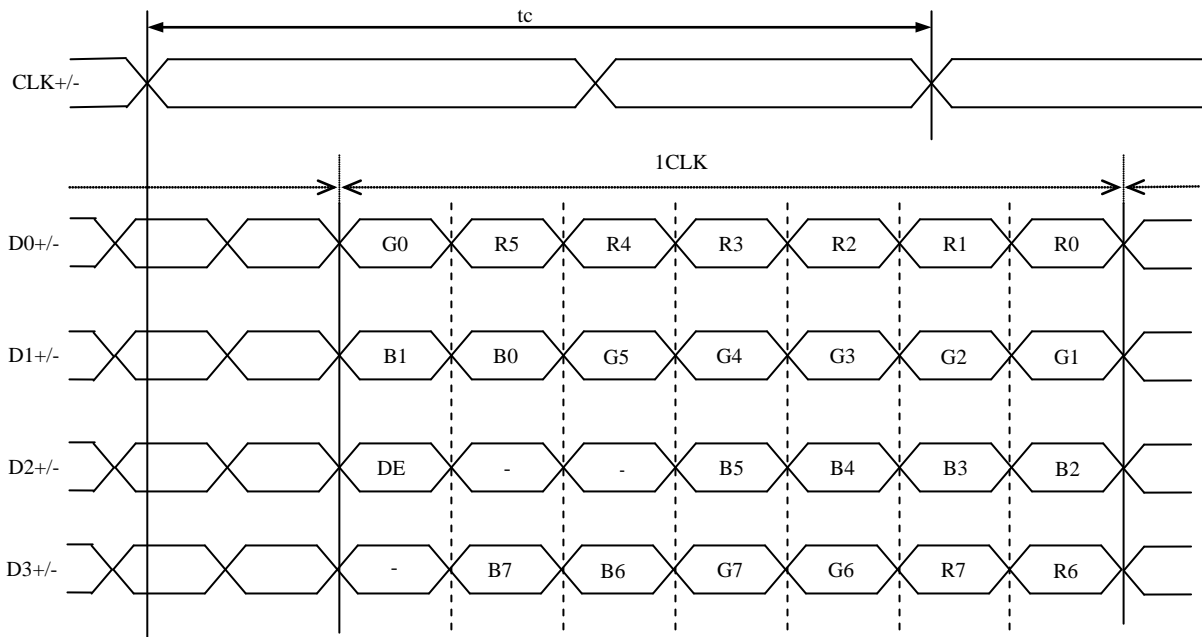


4.5.5 Input data mapping

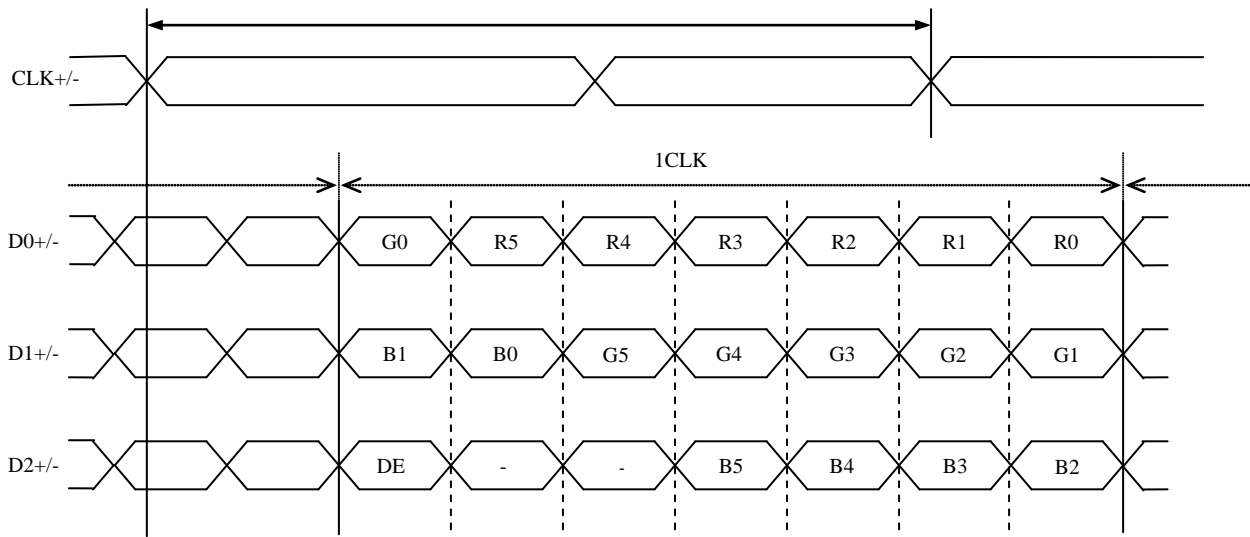
(1) Input data signal: 8-bit, MAP A



(2) Input data signal: 8-bit, MAP B



(3) Input data signal: 6-bit



**4.6 DISPLAY COLORS AND INPUT DATA SIGNALS**

**4.6.1 Combinations of input data signals and FRC and MSL signal**

This product can display equivalent of 16,777,216 colors with 256 gray scales and 262,144 colors with 64 gray scales by combination of input data signals, FRC signal and MSL signal. See the following table.

| Combination | Input data signals | Input Data mapping | CN1- Pin No.1 and 2 | FRC terminal | MSL terminal | Display colors | Remarks |
|-------------|--------------------|--------------------|---------------------|--------------|--------------|----------------|---------|
| ①           | 8-bit              | MAP A              | D3+/-               | High         | Low or Open  | 16,777,216     | Note1 ☆ |
| ②           | 8-bit              | MAP B              | D3+/-               | High         | High         | 16,777,216     | Note1   |
| ③           | 6-bit              | -                  | GND                 | Low or Open  | Low or Open  | 262,144        | Note2 ☆ |

Note1: See "4.6.2 16,777,216 colors".

Note2: See "4.6.3 262,144 colors".

4.6.2 16,777,216 colors

This product can display equivalent of 16,777,216 colors with 256 gray scales by combination ① or ②.(See "4.6.1 Combinations of input data signals and FRC and MSL signal".)

Also the relation between display colors and input data signals is as follows.

| Display colors   |         | Data signal (0: Low level, 1: High level) |    |    |    |    |    |    |    |    |    |    |    |    |    |    |    |    |    |    |    |    |    |    |    |
|------------------|---------|---|----|----|----|----|----|----|----|----|----|----|----|----|----|----|----|----|----|----|----|----|----|----|----|
|                  |         | R7  | R6 | R5 | R4 | R3 | R2 | R1 | R0 | G7 | G6 | G5 | G4 | G3 | G2 | G1 | G0 | B7 | B6 | B5 | B4 | B3 | B2 | B1 | B0 |
| Basic Colors     | Black   | 0   | 0  | 0  | 0  | 0  | 0  | 0  | 0  | 0  | 0  | 0  | 0  | 0  | 0  | 0  | 0  | 0  | 0  | 0  | 0  | 0  | 0  | 0  | 0  |
|                  | Blue    | 0   | 0  | 0  | 0  | 0  | 0  | 0  | 0  | 0  | 0  | 0  | 0  | 0  | 0  | 0  | 0  | 1  | 1  | 1  | 1  | 1  | 1  | 1  | 1  |
|                  | Red     | 1   | 1  | 1  | 1  | 1  | 1  | 1  | 1  | 0  | 0  | 0  | 0  | 0  | 0  | 0  | 0  | 0  | 0  | 0  | 0  | 0  | 0  | 0  | 0  |
|                  | Magenta | 1   | 1  | 1  | 1  | 1  | 1  | 1  | 1  | 0  | 0  | 0  | 0  | 0  | 0  | 0  | 0  | 1  | 1  | 1  | 1  | 1  | 1  | 1  | 1  |
|                  | Green   | 0   | 0  | 0  | 0  | 0  | 0  | 0  | 0  | 1  | 1  | 1  | 1  | 1  | 1  | 1  | 1  | 0  | 0  | 0  | 0  | 0  | 0  | 0  | 0  |
|                  | Cyan    | 0   | 0  | 0  | 0  | 0  | 0  | 0  | 0  | 1  | 1  | 1  | 1  | 1  | 1  | 1  | 1  | 1  | 1  | 1  | 1  | 1  | 1  | 1  | 1  |
|                  | Yellow  | 1   | 1  | 1  | 1  | 1  | 1  | 1  | 1  | 1  | 1  | 1  | 1  | 1  | 1  | 1  | 1  | 0  | 0  | 0  | 0  | 0  | 0  | 0  | 0  |
|                  | White   | 1   | 1  | 1  | 1  | 1  | 1  | 1  | 1  | 1  | 1  | 1  | 1  | 1  | 1  | 1  | 1  | 1  | 1  | 1  | 1  | 1  | 1  | 1  | 1  |
| Red gray scale   | Black   | 0   | 0  | 0  | 0  | 0  | 0  | 0  | 0  | 0  | 0  | 0  | 0  | 0  | 0  | 0  | 0  | 0  | 0  | 0  | 0  | 0  | 0  | 0  | 0  |
|                  | dark    | 0   | 0  | 0  | 0  | 0  | 0  | 0  | 1  | 0  | 0  | 0  | 0  | 0  | 0  | 0  | 0  | 0  | 0  | 0  | 0  | 0  | 0  | 0  | 0  |
|                  | ↑       |   |    |    |    |    |    |    |    |    |    |    |    |    |    |    |    |    |    |    |    |    |    |    |    |
|                  | ↓       |   |    |    |    |    |    |    |    |    |    |    |    |    |    |    |    |    |    |    |    |    |    |    |    |
|                  | bright  | 1   | 1  | 1  | 1  | 1  | 1  | 0  | 1  | 0  | 0  | 0  | 0  | 0  | 0  | 0  | 0  | 0  | 0  | 0  | 0  | 0  | 0  | 0  | 0  |
| Red              | 1       | 1   | 1  | 1  | 1  | 1  | 1  | 0  | 0  | 0  | 0  | 0  | 0  | 0  | 0  | 0  | 0  | 0  | 0  | 0  | 0  | 0  | 0  | 0  |    |
| Red              | 1       | 1   | 1  | 1  | 1  | 1  | 1  | 1  | 0  | 0  | 0  | 0  | 0  | 0  | 0  | 0  | 0  | 0  | 0  | 0  | 0  | 0  | 0  | 0  |    |
| Green gray scale | Black   | 0   | 0  | 0  | 0  | 0  | 0  | 0  | 0  | 0  | 0  | 0  | 0  | 0  | 0  | 0  | 0  | 0  | 0  | 0  | 0  | 0  | 0  | 0  | 0  |
|                  | dark    | 0   | 0  | 0  | 0  | 0  | 0  | 0  | 0  | 0  | 0  | 0  | 0  | 0  | 0  | 0  | 1  | 0  | 0  | 0  | 0  | 0  | 0  | 0  | 0  |
|                  | ↑       |   |    |    |    |    |    |    |    |    |    |    |    |    |    |    |    |    |    |    |    |    |    |    |    |
|                  | ↓       |   |    |    |    |    |    |    |    |    |    |    |    |    |    |    |    |    |    |    |    |    |    |    |    |
|                  | bright  | 0   | 0  | 0  | 0  | 0  | 0  | 0  | 0  | 1  | 1  | 1  | 1  | 1  | 1  | 0  | 1  | 0  | 0  | 0  | 0  | 0  | 0  | 0  | 0  |
| Green            | 0       | 0   | 0  | 0  | 0  | 0  | 0  | 0  | 1  | 1  | 1  | 1  | 1  | 1  | 1  | 0  | 0  | 0  | 0  | 0  | 0  | 0  | 0  | 0  |    |
| Green            | 0       | 0   | 0  | 0  | 0  | 0  | 0  | 0  | 1  | 1  | 1  | 1  | 1  | 1  | 1  | 1  | 0  | 0  | 0  | 0  | 0  | 0  | 0  | 0  |    |
| Blue gray scale  | Black   | 0   | 0  | 0  | 0  | 0  | 0  | 0  | 0  | 0  | 0  | 0  | 0  | 0  | 0  | 0  | 0  | 0  | 0  | 0  | 0  | 0  | 0  | 0  | 0  |
|                  | dark    | 0   | 0  | 0  | 0  | 0  | 0  | 0  | 0  | 0  | 0  | 0  | 0  | 0  | 0  | 0  | 0  | 0  | 0  | 0  | 0  | 0  | 0  | 0  | 1  |
|                  | ↑       |   |    |    |    |    |    |    |    |    |    |    |    |    |    |    |    |    |    |    |    |    |    |    |    |
|                  | ↓       |   |    |    |    |    |    |    |    |    |    |    |    |    |    |    |    |    |    |    |    |    |    |    |    |
|                  | bright  | 0   | 0  | 0  | 0  | 0  | 0  | 0  | 0  | 0  | 0  | 0  | 0  | 0  | 0  | 0  | 0  | 1  | 1  | 1  | 1  | 1  | 1  | 0  | 1  |
| Blue             | 0       | 0   | 0  | 0  | 0  | 0  | 0  | 0  | 0  | 0  | 0  | 0  | 0  | 0  | 0  | 0  | 1  | 1  | 1  | 1  | 1  | 1  | 1  | 0  |    |
| Blue             | 0       | 0   | 0  | 0  | 0  | 0  | 0  | 0  | 0  | 0  | 0  | 0  | 0  | 0  | 0  | 0  | 1  | 1  | 1  | 1  | 1  | 1  | 1  | 1  |    |

## 4.6.3 262,144 colors

This product can display 262,144 colors with 64 gray scales by combination ③.

(See "4.6.1 Combinations of input data signals and FRC and MSL signal".)

Also the relation between display colors and input data signals is as follows.

| Display colors   |         | Data signal (0: Low level, 1: High level) |    |    |    |    |    |    |    |    |    |    |    |    |    |    |    |    |    |
|------------------|---------|---|----|----|----|----|----|----|----|----|----|----|----|----|----|----|----|----|----|
|                  |         | R5  | R4 | R3 | R2 | R1 | R0 | G5 | G4 | G3 | G2 | G1 | G0 | B5 | B4 | B3 | B2 | B1 | B0 |
| Basic colors     | Black   | 0   | 0  | 0  | 0  | 0  | 0  | 0  | 0  | 0  | 0  | 0  | 0  | 0  | 0  | 0  | 0  | 0  | 0  |
|                  | Blue    | 0   | 0  | 0  | 0  | 0  | 0  | 0  | 0  | 0  | 0  | 0  | 0  | 1  | 1  | 1  | 1  | 1  | 1  |
|                  | Red     | 1   | 1  | 1  | 1  | 1  | 1  | 0  | 0  | 0  | 0  | 0  | 0  | 0  | 0  | 0  | 0  | 0  | 0  |
|                  | Magenta | 1   | 1  | 1  | 1  | 1  | 1  | 0  | 0  | 0  | 0  | 0  | 0  | 1  | 1  | 1  | 1  | 1  | 1  |
|                  | Green   | 0   | 0  | 0  | 0  | 0  | 0  | 1  | 1  | 1  | 1  | 1  | 1  | 0  | 0  | 0  | 0  | 0  | 0  |
|                  | Cyan    | 0   | 0  | 0  | 0  | 0  | 0  | 1  | 1  | 1  | 1  | 1  | 1  | 1  | 1  | 1  | 1  | 1  | 1  |
|                  | Yellow  | 1   | 1  | 1  | 1  | 1  | 1  | 1  | 1  | 1  | 1  | 1  | 1  | 0  | 0  | 0  | 0  | 0  | 0  |
|                  | White   | 1   | 1  | 1  | 1  | 1  | 1  | 1  | 1  | 1  | 1  | 1  | 1  | 1  | 1  | 1  | 1  | 1  | 1  |
| Red gray scale   | Black   | 0   | 0  | 0  | 0  | 0  | 0  | 0  | 0  | 0  | 0  | 0  | 0  | 0  | 0  | 0  | 0  | 0  | 0  |
|                  | dark    | 0   | 0  | 0  | 0  | 0  | 1  | 0  | 0  | 0  | 0  | 0  | 0  | 0  | 0  | 0  | 0  | 0  | 0  |
|                  | ↑       |   |    |    | :  |    |    |    |    | :  |    |    |    |    |    | :  |    |    |    |
|                  | ↓       |   |    |    | :  |    |    |    |    | :  |    |    |    |    |    | :  |    |    |    |
|                  | bright  | 1   | 1  | 1  | 1  | 0  | 1  | 0  | 0  | 0  | 0  | 0  | 0  | 0  | 0  | 0  | 0  | 0  | 0  |
| Red              | 1       | 1   | 1  | 1  | 1  | 1  | 0  | 0  | 0  | 0  | 0  | 0  | 0  | 0  | 0  | 0  | 0  | 0  |    |
| Green gray scale | Black   | 0   | 0  | 0  | 0  | 0  | 0  | 0  | 0  | 0  | 0  | 0  | 0  | 0  | 0  | 0  | 0  | 0  | 0  |
|                  | dark    | 0   | 0  | 0  | 0  | 0  | 0  | 0  | 0  | 0  | 0  | 1  | 0  | 0  | 0  | 0  | 0  | 0  | 0  |
|                  | ↑       |   |    |    | :  |    |    |    |    | :  |    |    |    |    |    | :  |    |    |    |
|                  | ↓       |   |    |    | :  |    |    |    |    | :  |    |    |    |    |    | :  |    |    |    |
|                  | bright  | 0   | 0  | 0  | 0  | 0  | 0  | 1  | 1  | 1  | 1  | 0  | 1  | 0  | 0  | 0  | 0  | 0  | 0  |
| Green            | 0       | 0   | 0  | 0  | 0  | 0  | 1  | 1  | 1  | 1  | 1  | 1  | 0  | 0  | 0  | 0  | 0  | 0  |    |
| Blue gray scale  | Black   | 0   | 0  | 0  | 0  | 0  | 0  | 0  | 0  | 0  | 0  | 0  | 0  | 0  | 0  | 0  | 0  | 0  | 0  |
|                  | dark    | 0   | 0  | 0  | 0  | 0  | 0  | 0  | 0  | 0  | 0  | 0  | 0  | 0  | 0  | 0  | 0  | 0  | 1  |
|                  | ↑       |   |    |    | :  |    |    |    |    | :  |    |    |    |    |    | :  |    |    |    |
|                  | ↓       |   |    |    | :  |    |    |    |    | :  |    |    |    |    |    | :  |    |    |    |
|                  | bright  | 0   | 0  | 0  | 0  | 0  | 0  | 0  | 0  | 0  | 0  | 0  | 0  | 1  | 1  | 1  | 1  | 0  | 1  |
| Blue             | 0       | 0   | 0  | 0  | 0  | 0  | 0  | 0  | 0  | 0  | 0  | 0  | 1  | 1  | 1  | 1  | 1  | 0  |    |
| Blue             | 0       | 0   | 0  | 0  | 0  | 0  | 0  | 0  | 0  | 0  | 0  | 0  | 1  | 1  | 1  | 1  | 1  | 1  |    |

4.7 DISPLAY POSITIONS

The following table is the coordinates per pixel (See "4.8 SCANNING DIRECTIONS".).

|            |            |     |            |     |             |             |
|------------|------------|-----|------------|-----|-------------|-------------|
| C (0, 0)   |            |     |            |     |             |             |
| R          | G          | B   |            |     |             |             |
| C( 0, 0)   | C( 1, 0)   | ... | C( X, 0)   | ... | C(638, 0)   | C(639, 0)   |
| C( 0, 1)   | C( 1, 1)   | ... | C( X, 1)   | ... | C(638, 1)   | C(639, 1)   |
| .          | .          | .   | .          | .   | .           | .           |
| .          | .          | .   | .          | .   | .           | .           |
| .          | .          | .   | .          | .   | .           | .           |
| C( 0, Y)   | C( 1, Y)   | ... | C( X, Y)   | ... | C(638, Y)   | C(639, Y)   |
| .          | .          | .   | .          | .   | .           | .           |
| .          | .          | .   | .          | .   | .           | .           |
| .          | .          | .   | .          | .   | .           | .           |
| C( 0, 478) | C( 1, 478) | ... | C( X, 478) | ... | C(638, 478) | C(639, 478) |
| C( 0, 479) | C( 1, 479) | ... | C( X, 479) | ... | C(638, 479) | C(639, 479) |

4.8 SCANNING DIRECTIONS

The following figures are seen from a front view.

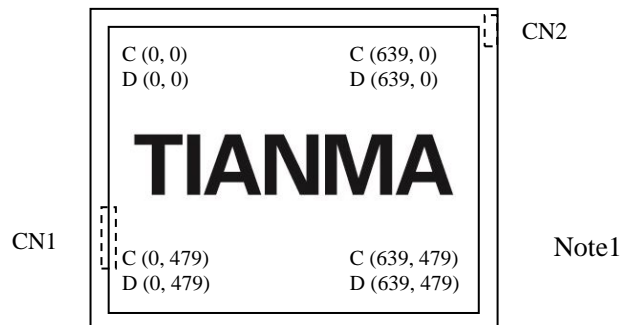


Figure1. Normal scan (DPS: Low or Open)

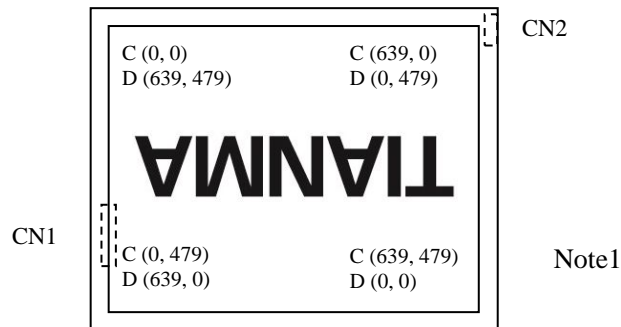


Figure2. Reverse scan (DPS: High)

Note1: Meaning of C (X, Y) and D (X, Y)

C (X, Y): The coordinates of the display position (See "4.7 DISPLAY POSITIONS".)

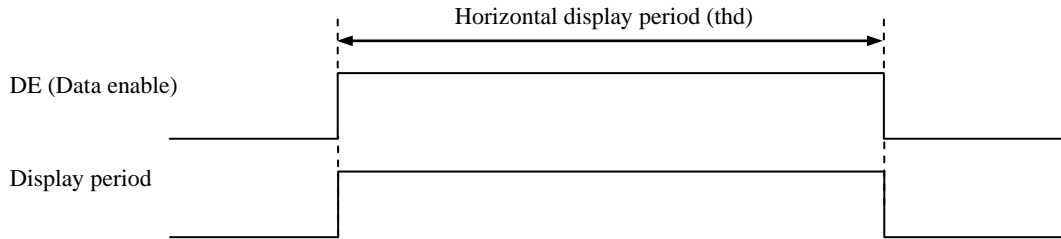
D (X, Y): The data number of input signal for LCD panel signal processing board

4.9 INPUT SIGNAL TIMINGS

4.9.1 Outline of input signal timings

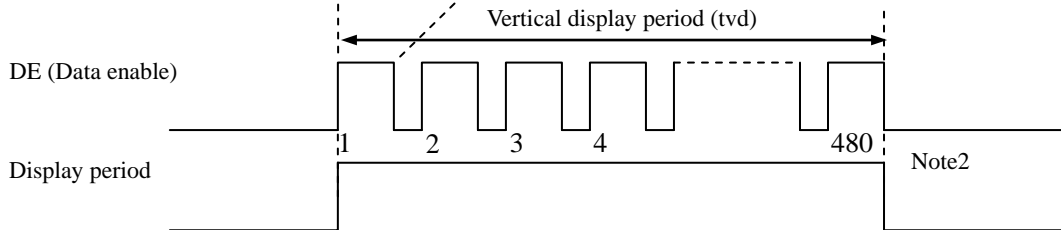
- Horizontal signal

Note1



- Vertical signal

Note1



Note1: This diagram indicates virtual signal for set up to timing.

Note2: See "4.9.3 Input signal timing chart" for the pulse number.



## 4.9.2 Timing characteristics

(Note1, Note2, Note3)

| Parameter            |                         | Symbol         | min. | typ.   | max.   | Unit | Remarks         |                   |
|----------------------|-------------------------|----------------|------|--------|--------|------|-----------------|-------------------|
| CLK                  | Frequency               | 1/tc           | 21.0 | 25.175 | 29.0   | MHz  | 39.72 ns (typ.) |                   |
|                      | Duty ratio              | -              | -    |        |        | -    | -               |                   |
|                      | Rise time, Fall time    | -              |      |        |        | ns   |                 |                   |
| DATA                 | CLK-DATA                | Setup time     | -    |        |        | ns   | -               |                   |
|                      |                         | Hold time      |      |        |        | ns   |                 |                   |
|                      | Rise time, Fall time    | -              |      |        |        | ns   |                 |                   |
| DE                   | Horizontal              | Cycle          | th   | 30.0   | 31.778 | 33.6 | $\mu$ s         | 31.468 kHz (typ.) |
|                      |                         | Display period | thd  | -      | 800    | -    | CLK             |                   |
|                      | Vertical<br>(One frame) | Cycle          | tv   | 16.1   | 16.683 | 17.2 | ms              | 59.94 Hz (typ.)   |
|                      |                         | Display period | tvd  | -      | 525    | -    | H               |                   |
|                      | CLK-DE                  | Setup time     | -    | -      |        |      | ns              | -                 |
|                      |                         | Hold time      | -    |        |        |      | ns              |                   |
| Rise time, Fall time |                         | -              | ns   |        |        |      |                 |                   |

Note1: Definition of parameters is as follows.

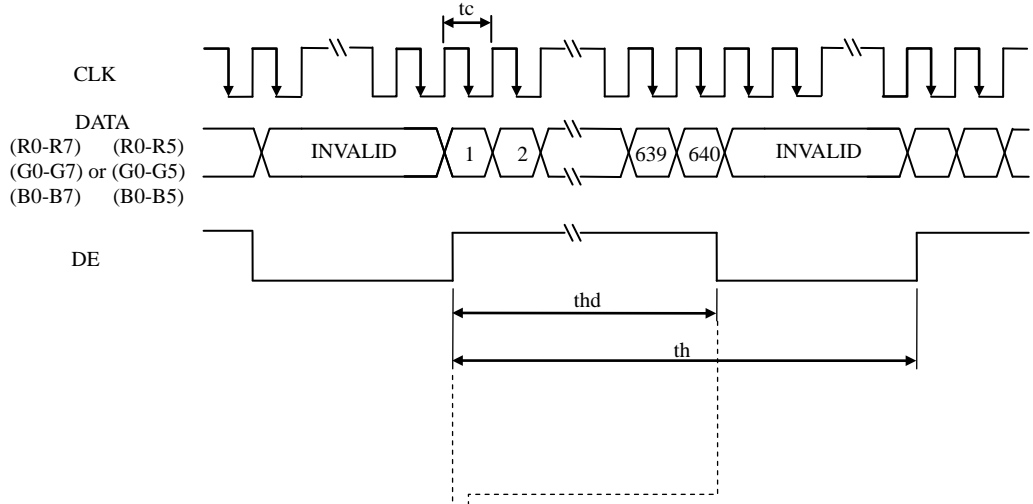
 $t_c = 1\text{CLK}$ ,  $t_h = 1\text{H}$ 

Note2: See the data sheet of LVDS transmitter.

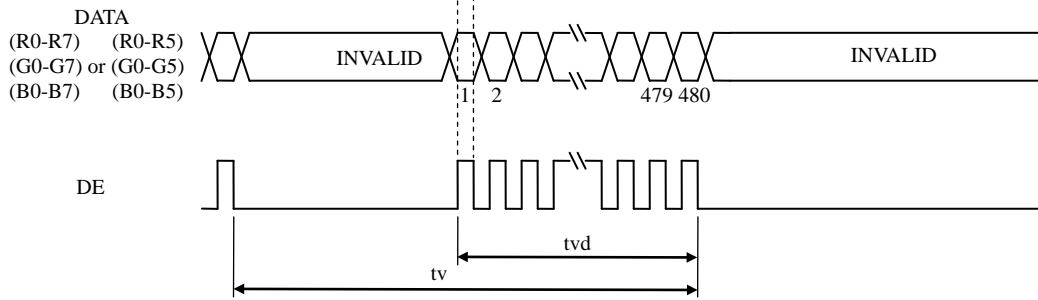
Note3: Vertical cycle (tv) should be specified in integral multiple of Horizontal cycle (th).

4.9.3 Input signal timing chart

Horizontal timing



Vertical timing



4.10 OPTICS

4.10.1 Optical characteristics

(Note1, Note2)

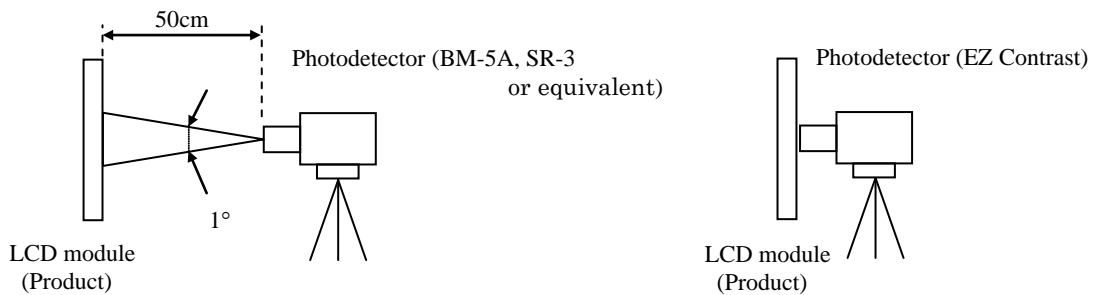
| Parameter            | Condition   | Symbol   | min.       | typ.  | max.  | Unit              | Measuring instrument | Remarks            |       |
|----------------------|---|--|------------|-------|-------|-------------------|----------------------|--------------------|-------|
| Luminance            | White at center<br>$\theta R=0^\circ, \theta L=0^\circ, \theta U=0^\circ, \theta D=0^\circ$                     | L  | 560        | 900   | -     | cd/m <sup>2</sup> | BM-5A or equivalent  | -                  |       |
| Contrast ratio       | White/Black at center<br>$\theta R=0^\circ, \theta L=0^\circ, \theta U=0^\circ, \theta D=0^\circ$               | CR   | 500        | 900   | -     | -                 | BM-5A or equivalent  | Note3              |       |
| Luminance uniformity | White<br>$\theta R=0^\circ, \theta L=0^\circ, \theta U=0^\circ, \theta D=0^\circ$                               | LU   | -          | 1.25  | 1.4   | -                 | BM-5A or equivalent  | Note4              |       |
| Chromaticity         | White   | x coordinate                                     | Wx         | 0.263 | 0.313 | 0.363             | -                    | SR-3 or equivalent | Note5 |
|                      |   | y coordinate                                     | Wy         | 0.279 | 0.329 | 0.379             | -                    |                    |       |
|                      | Red   | x coordinate                                     | Rx         | -     | 0.559 | -                 | -                    |                    |       |
|                      |   | y coordinate                                     | Ry         | -     | 0.342 | -                 | -                    |                    |       |
|                      | Green   | x coordinate                                     | Gx         | -     | 0.355 | -                 | -                    |                    |       |
|                      |   | y coordinate                                     | Gy         | -     | 0.548 | -                 | -                    |                    |       |
| Blue                 | x coordinate  | Bx   | -          | 0.156 | -     | -                 |                      |                    |       |
|                      | y coordinate  | By   | -          | 0.125 | -     | -                 |                      |                    |       |
| Color gamut          | $\theta R=0^\circ, \theta L=0^\circ, \theta U=0^\circ, \theta D=0^\circ$<br>at center, against NTSC color space | C  | 35         | 40    | -     | %                 |                      |                    |       |
| Response time        | White to Black  | Ton  | -          | 3     | 6     | ms                | BM-5A or equivalent  | Note6              |       |
|                      | Black to White  | Toff   | -          | 15    | 21    | ms                | BM-5A or equivalent  | Note7              |       |
| Viewing angle        | Right   | $\theta U=0^\circ, \theta D=0^\circ, CR \geq 10$ | $\theta R$ | 70    | 80    | -                 | °                    | EZ Contrast        | Note8 |
|                      | Left  | $\theta U=0^\circ, \theta D=0^\circ, CR \geq 10$ | $\theta L$ | 70    | 80    | -                 | °                    |                    |       |
|                      | Up  | $\theta R=0^\circ, \theta L=0^\circ, CR \geq 10$ | $\theta U$ | 70    | 80    | -                 | °                    |                    |       |
|                      | Down  | $\theta R=0^\circ, \theta L=0^\circ, CR \geq 10$ | $\theta D$ | 70    | 80    | -                 | °                    |                    |       |

Note1: These are initial characteristics.

Note2: Measurement conditions are as follows.

Ta= 25°C, VCC= 3.3V, IL= 50mA/One circuit, Display mode: VGA, Horizontal cycle= 1/31.468kHz, Vertical cycle= 1/59.94Hz, DPS= Low or Open: Normal scan

Optical characteristics are measured at luminance saturation 20minutes after the product works in the dark room. Also measurement methods are as follows.



Note3: See "4.10.2 Definition of contrast ratio".

Note4: See "4.10.3 Definition of luminance uniformity".

Note5: These coordinates are found on CIE 1931 chromaticity diagram.

Note6: Product surface temperature: TopF= 30 °C

Note7: See "4.10.4 Definition of response times".

Note8: See "4.10.5 Definition of viewing angles".

4.10.2 Definition of contrast ratio

The contrast ratio is calculated by using the following formula.

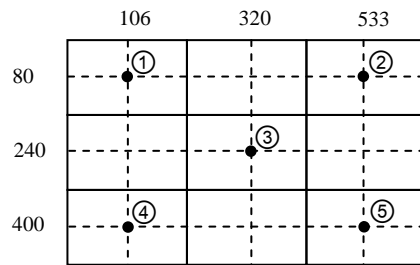
$$\text{Contrast ratio (CR)} = \frac{\text{Luminance of white screen}}{\text{Luminance of black screen}}$$

4.10.3 Definition of luminance uniformity

The luminance uniformity is calculated by using following formula.

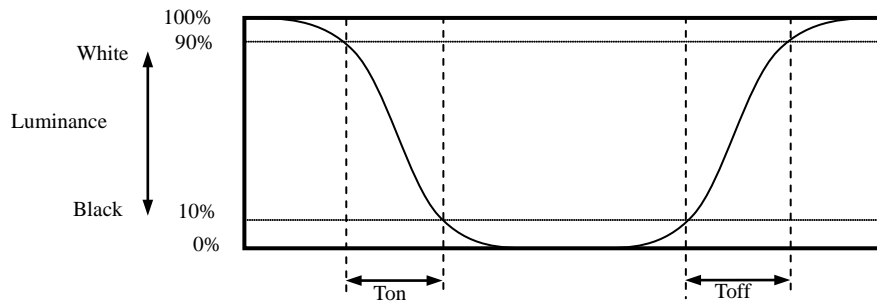
$$\text{Luminance uniformity (LU)} = \frac{\text{Maximum luminance from ① to ⑤}}{\text{Minimum luminance from ① to ⑤}}$$

The luminance is measured at near the 5 points shown below.

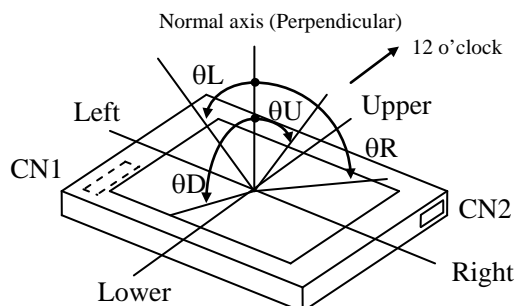


4.10.4 Definition of response times

Response time is measured at the time when the luminance changes from "white" to "black", or "black" to "white" on the same screen point, by photo-detector. Ton is the time when the luminance changes from 90% down to 10%. Also Toff is the time when the luminance changes from 10% up to 90% (See the following diagram.).



4.10.5 Definition of viewing angles



**5. ESTIMATED LUMINANCE LIFETIME**

The luminance lifetime is the time from initial luminance to half-luminance.

**This lifetime is the estimated value, and is not guarantee value.**

| Condition                   |   | Estimated luminance lifetime<br>(Life time expectancy)<br>Note1, Note2, Note3 | Unit |
|-----------------------------|---|---|------|
| LED<br>elementary substance | 25°C (Ambient temperature of the product)<br>Continuous operation, IL= 50mA/One circuit | 70,000  | h    |
|                             | 80°C (Surface temperature at screen)<br>Continuous operation, IL= 50mA/One circuit      | 60,000  | h    |

Note1: Life time expectancy is mean time to half-luminance.

Note2: Estimated luminance lifetime is not the value for LCD module but the value for LED elementary substance.

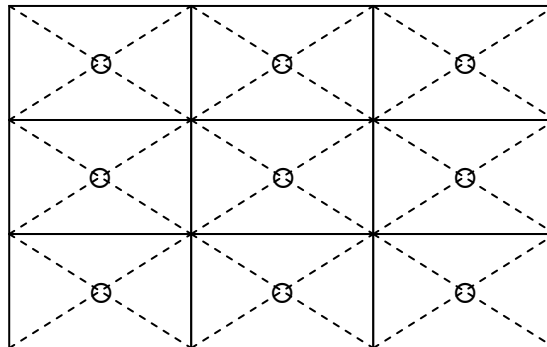
Note3: By ambient temperature, the lifetime changes particularly. Especially, in case the product works under high temperature environment, the lifetime becomes short.

**6. RELIABILITY TESTS**

| Test item                                    | Condition   | Judgment                                       | Note1 |
|--|---|--|-------|
| High temperature and humidity<br>(Operation) | ① $60 \pm 2^{\circ}\text{C}$ , RH= 90%, 240hours<br>② Display data is black.  | No display malfunctions                        |       |
| High temperature<br>(Operation)              | ① $80 \pm 3^{\circ}\text{C}$ , 240hours<br>② Display data is black.   |  |       |
| Heat cycle<br>(Operation)                    | ① $-30 \pm 3^{\circ}\text{C}$ ...1hour<br>$80 \pm 3^{\circ}\text{C}$ ...1hour<br>② 50cycles, 4hours/cycle<br>③ Display data is black.                                   |  |       |
| Thermal shock<br>(Non operation)             | ① $-30 \pm 3^{\circ}\text{C}$ ...30minutes<br>$80 \pm 3^{\circ}\text{C}$ ...30minutes<br>② 100cycles, 1hour/cycle<br>③ Temperature transition time is within 5 minutes. |  |       |
| ESD<br>(Operation)                           | ① 150pF, 150Ω, $\pm 10\text{kV}$<br>② 9 places on a panel surface Note2<br>③ 10 times each place at 1 sec interval  |  |       |
| Dust<br>(Operation)                          | ① Sample dust: No. 15 (by JIS-Z8901)<br>② 15 seconds stir<br>③ 8 times repeat at 1 hour interval  |  |       |
| Vibration<br>(Non operation)                 | ① 5 to 100Hz, $19.6\text{m/s}^2$<br>② 1 minute/cycle<br>③ X, Y, Z directions<br>④ 120 times each direction  | No display malfunctions<br>No physical damages |       |
| Mechanical shock<br>(Non operation)          | ① $539\text{m/s}^2$ , 11ms<br>② $\pm X$ , $\pm Y$ , $\pm Z$ directions<br>③ 5 times each direction  |  |       |

Note1: Display and appearance are checked under environmental conditions equivalent to the inspection conditions of defect criteria.

Note2: See the following figure for discharge points.



## 7. PRECAUTIONS

### 7.1 MEANING OF CAUTION SIGNS

The following caution signs have very important meaning. **Be sure to read "7.2 CAUTIONS" and "7.3 ATTENTIONS"!**



This sign has the meaning that a customer will be injured or the product will sustain damage if the customer practices wrong operations.



This sign has the meaning that a customer will be injured if the customer practices wrong operations.

### 7.2 CAUTIONS



**\* Do not shock and press the LCD panel and the backlight! There is a danger of breaking, because they are made of glass. (Shock: Equal to or no greater than 539m/s<sup>2</sup> and equal to or no greater than 11ms, Pressure: Equal to or no greater than 19.6 N (φ16mm jig))**

### 7.3 ATTENTIONS



#### 7.3.1 Handling of the product

- ① Take hold of both ends without touching the circuit board when the product (LCD module) is picked up from inner packing box to avoid broken down or misadjustment, because of stress to mounting parts on the circuit board.
- ② When the product is put on the table temporarily, display surface must be placed downward.
- ③ When handling the product, take the measures of electrostatic discharge with such as earth band, ionic shower and so on, because the product may be damaged by electrostatic.
- ④ The torque for product mounting screws must never exceed 0.294N·m. Higher torque might result in distortion of the bezel.
- ⑤ The product must be installed using mounting holes without undue stress such as bends or twist (See outline drawings). And do not add undue stress to any portion (such as bezel flat area). Bends or twist described above and undue stress to any portion may cause display mura.
- ⑥ Do not press or rub on the sensitive product surface. When cleaning the product surface, wipe it with a soft dry cloth.
- ⑦ Do not push or pull the interface connectors while the product is working.
- ⑧ When handling the product, use of an original protection sheet on the product surface (polarizer) is recommended for protection of product surface. Adhesive type protection sheet may change color or characteristics of the polarizer.
- ⑨ Usually liquid crystals don't leak through the breakage of glasses because of the surface tension of thin layer and the construction of LCD panel. But, if you contact with liquid crystal by any chance, please wash it away with soap and water.

7.3.2 Environment

- ① Do not operate or store in high temperature, high humidity, dewdrop atmosphere or corrosive gases. Keep the product in packing box with antistatic pouch in room temperature to avoid dusts and sunlight, when storing the product.
- ② In order to prevent dew condensation occurred by temperature difference, the product packing box must be opened after enough time being left under the environment of an unpacking room. Evaluate the storage time sufficiently because dew condensation is affected by the environmental temperature and humidity. (Recommended leaving time: 6 hours or more with the original packing state after a customer receives the package)
- ③ Do not operate in high magnetic field. If not, circuit boards may be broken.
- ④ This product is not designed as radiation hardened.

7.3.3 Characteristics

**The following items are neither defects nor failures.**

- ① Characteristics of the LCD (such as response time, luminance, color uniformity and so on) may be changed depending on ambient temperature. If the product is stored under condition of low temperature for a long time, it may cause display mura. In this case, the product should be operated after enough time being left under condition of operating temperature.
- ② Display mura, flickering, vertical streams or tiny spots may be observed depending on display patterns.
- ③ Do not display the fixed pattern for a long time because it may cause image sticking. Use a screen saver, if the fixed pattern is displayed on the screen.
- ④ The display color may be changed depending on viewing angle because of the use of condenser sheet in the backlight.
- ⑤ Optical characteristics may be changed depending on input signal timings.
- ⑥ The product gives AR (antireflection) coating of the polarizer surface. Though AR (antireflection) coating actualizes the low reflection with the multilayer structure, the color of reflection may differ among products and the color change of reflection may occur in the same product by fluctuation of AR (antireflection) coating.

7.3.4 Others

- ① All GND and VCC terminals should be used without any non-connected lines.
- ② Do not disassemble a product or adjust variable resistors.
- ③ See "REPLACEMENT MANUAL FOR LAMP HOLDER SET", when replacing lamp holder set .
- ④ Pack the product with the original shipping package, in order to avoid any damages during transportation, when returning the product to TMJ for repairing and so on.
- ⑤ The information of China RoHS (II) six hazardous substances or elements in this product is as follows. ☆

| China RoHS (II) six hazardous substances or elements |              |              |                             |                                |                                       |
|--|--------------|--------------|-----------------------------|--------------------------------|---------------------------------------|
| Lead (Pb)  | Mercury (Hg) | Cadmium (Cd) | Hexavalent Chromium (Cr VI) | Polybrominated Biphenyls (PBB) | Polybrominated Biphenyl Ethers (PBDE) |
| ×  | ○            | ○            | ○                           | ○                              | ○                                     |

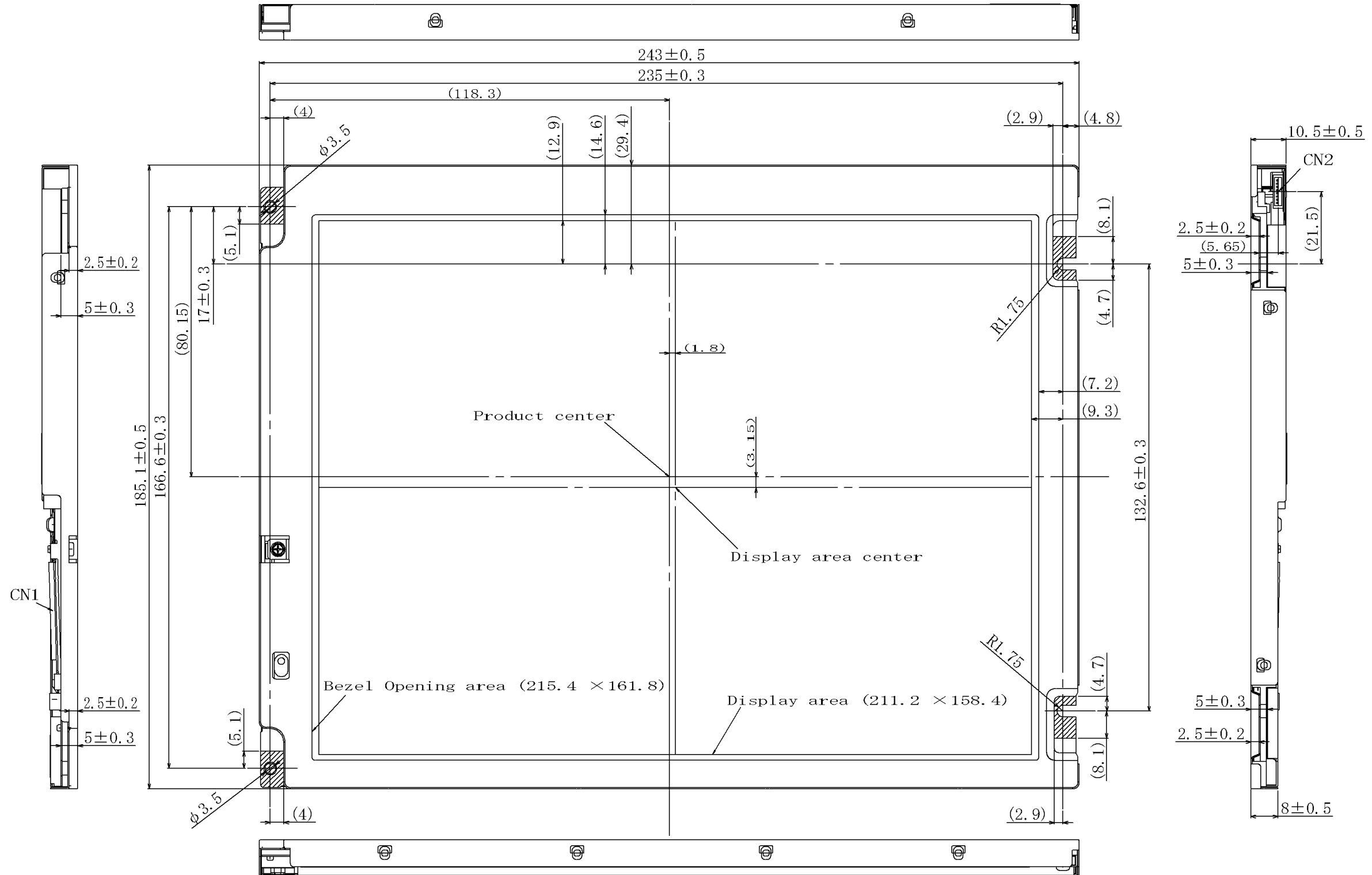
Note1: ○ : This indicates that the poisonous or harmful material in all the homogeneous materials for this part is equal or below the limitation level of GB/T26572-2011 standard regulation.

×: This indicates that the poisonous or harmful material in all the homogeneous materials for this part is above the limitation level of GB/T26572-2011 standard regulation.



8. OUTLINE DRAWINGS

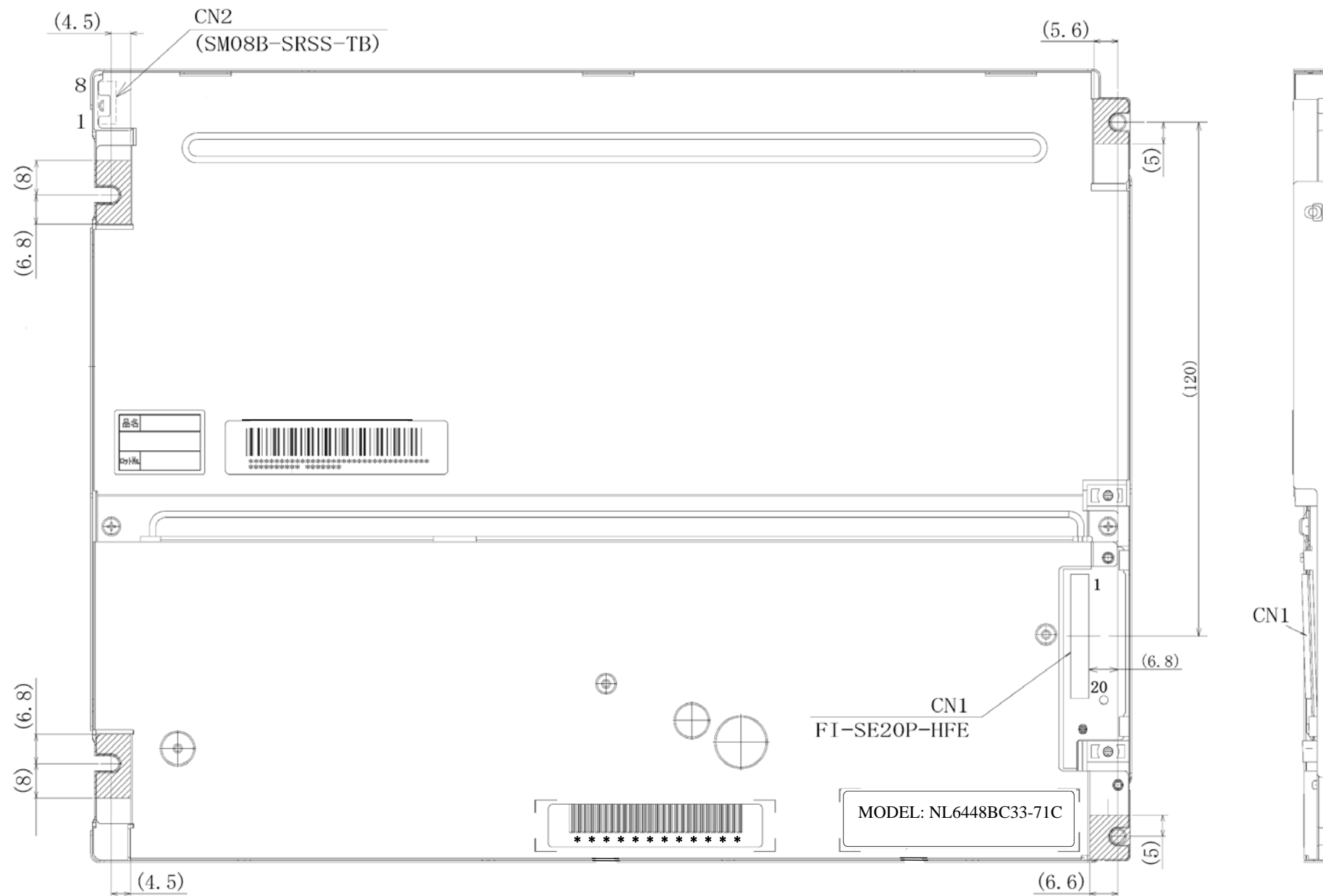
8.1 FRONT VIEW



- Note1: The values in parentheses are for reference.
- Note2: The torque for product mounting screws must never exceed 0.294N·m.
- Note3: Mounting hole portions (4 pieces)


Unit: mm

8.2 REAR VIEW



Note1: The values in parentheses are for reference.

Note2: The torque for product mounting screws must never exceed 0.294N·m.

Note3:  Mounting hole portions (4 pieces)

Unit: mm

Our company network supports you worldwide with offices in Germany, Austria, Switzerland, the UK and the USA. For more information please contact:

## Headquarters

Germany



**FORTEC Elektronik AG**

Lechwiesenstr. 9  
86899 Landsberg am Lech

Phone: +49 8191 91172-0  
E-Mail: [sales@forteca.de](mailto:sales@forteca.de)  
Internet: [www.forteca.de](http://www.forteca.de)

## Fortec Group Members

Austria



**FORTEC Elektronik AG**

**Office Vienna**

Nuschinggasse 12  
1230 Wien

Phone: +43 1 8673492-0  
E-Mail: [office@fortec.at](mailto:office@fortec.at)  
Internet: [www.fortec.at](http://www.fortec.at)

Germany



**Distec GmbH**

Augsburger Str. 2b  
82110 Germering

Phone: +49 89 894363-0  
E-Mail: [info@distec.de](mailto:info@distec.de)  
Internet: [www.distec.de](http://www.distec.de)

Switzerland



**ALTRAC AG**

Bahnhofstraße 3  
5436 Würenlos

Phone: +41 44 7446111  
E-Mail: [info@altrac.ch](mailto:info@altrac.ch)  
Internet: [www.altrac.ch](http://www.altrac.ch)

United Kingdom



**Display Technology Ltd.**

Osprey House, 1 Osprey Court  
Hichingbrooke Business Park  
Huntingdon, Cambridgeshire, PE29 6FN

Phone: +44 1480 411600  
E-Mail: [info@displaytechnology.co.uk](mailto:info@displaytechnology.co.uk)  
Internet: [www.displaytechnology.co.uk](http://www.displaytechnology.co.uk)

USA



**Apollo Display Technologies, Corp.**

87 Raynor Avenue,  
Unit 1 Ronkonkoma,  
NY 11779

Phone: +1 631 5804360  
E-Mail: [info@apolloDisplays.com](mailto:info@apolloDisplays.com)  
Internet: [www.apolloDisplays.com](http://www.apolloDisplays.com)