



OUR GLOBAL
COMPETENCE
CENTRES

 APOLLO DISPLAY
TECHNOLOGIES



 DISTEC



 DISPLAY
TECHNOLOGY



Datasheet

AUO

P370IVN02.0

UP-02-164

The information contained in this document has been carefully researched and is, to the best of our knowledge, accurate. However, we assume no liability for any product failures or damages, immediate or consequential, resulting from the use of the information provided herein. Our products are not intended for use in systems in which failures of product could result in personal injury. All trademarks mentioned herein are property of their respective owners. All specifications are subject to change without notice.

Model Name: P370IVN02.0

Issue Date : 2016/05/19

(*) Preliminary Specifications

() Final Specifications

| Customer Signature | Date | AUO | Date |
|--------------------|------|---|------|
| Approved By | | Approval By PM Director Kelly Kao <i>Kelly Kao</i> | |
| Note | | Reviewed By RD Director Eugene CC Chen <i>陳品川</i> | |
| | | Reviewed By Project Leader Alex HM Chen <i>陳長夏</i> | |
| | | Prepared By PM Travis Huang <i>Travis Huang</i> | |

Contents

| | |
|---|----|
| Record of Revision | 3 |
| 1. General Description | 4 |
| 2. Optical Specification | 5 |
| 3. Mechanical Characteristics | 8 |
| Placement suggestions: | 8 |
| Front View | 9 |
| Back View (I) | 10 |
| Back View (II) | 11 |
| 4. Reliability Test Items | 12 |
| 6. Electrical Specification | 14 |
| 6.1.1 Electrical Characteristics | 14 |
| 6.1.2 AC Characteristics | 14 |
| 6.3 Signal Timing Specification | 19 |
| 6.4 Signal Timing Waveforms | 20 |
| 6.5 Color Input Data Reference | 21 |
| 6.6 Power Sequence | 22 |
| <input type="checkbox"/> Power Sequence of LCD | 22 |
| <input type="checkbox"/> Power Sequence of backlight (LED) | 23 |
| 6.7 Backlight Specification | 24 |
| 6.7.1 Electrical specification | 24 |
| 6.7.2 Input Pin Assignment | 25 |
| 7. International Standard | 26 |
| 7.1 Safety | 26 |
| 7.2 EMC | 26 |
| 8. Packing | 27 |
| 8-1 DEFINITION OF LABEL: | 27 |
| 8-2 PACKING METHODS: | 28 |
| 8-3 Pallet and Shipment Information | 29 |
| 9. PRECAUTIONS | 30 |
| 9-1 MOUNTING PRECAUTIONS | 30 |
| 9-2 OPERATING PRECAUTIONS | 30 |
| 9-3 Operating Condition for Public Information Display | 31 |
| 9-4 Electrostatic Discharge Control | 31 |
| 9-5 Precautions for Strong Light Exposure | 31 |
| 9-6 Storage | 31 |
| 9-7 Handling Precautions for Protection Film | 32 |

1. General Description

This specification applies to the 37.0 inch Color TFT-LCD Module P370IVN02.0. This LCD module has a TFT active matrix type liquid crystal panel 1,920x540 pixels, and diagonal size of 37.0 inch. This module supports 1,920x540 resolution display. Each pixel is divided into Red, Green and Blue sub-pixels or dots which are arranged in vertical stripes. Gray scale or the brightness of the sub-pixel color is determined with a 10-bit gray scale signal for each dot.

The P370IVN02.0 has been designed to apply the 8/10-bit 2 channel LVDS interface method. The main feature of P370IVN02.0 would be high brightness, high contrast, wide viewing angle, high color saturation, edge LED backlight and high color depth.

* General Information

| Items | Specification | Unit | Note |
|------------------------|---------------------------------|--------|------------|
| Active Screen Size | 37.0 | Inch | |
| Display Area | 904.32(H) x 254.34(V) | mm | |
| Outline Dimension | 923.30(H) x 277.1(V) x 10.65(D) | mm | 1 |
| Driver Element | a-Si TFT active matrix | | |
| Display Colors | 10 bit (8bit+FRC), 1073.7M | Colors | 2 |
| Number of Pixels | 1,920x540 | Pixel | |
| Pixel Pitch | 0.47 (H) x 0.47(W) | mm | |
| Pixel Arrangement | RGB vertical stripe | | |
| Display Operation Mode | Normally Black | | |
| Display Orientation | Landscape/Portrait Enable | | |
| Surface Treatment | AG, 3H | | Haze = 44% |

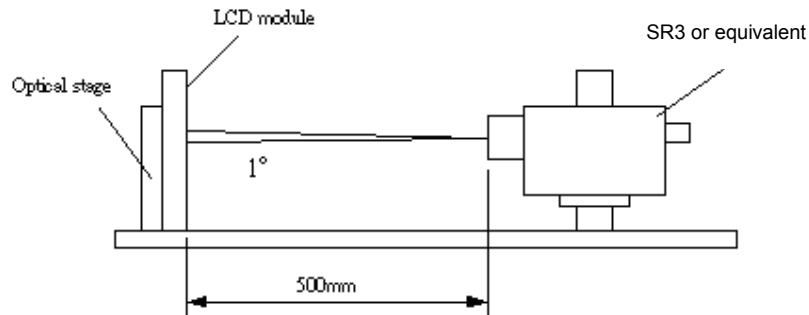
Note:

- (1) D_{max} :30.05mm(Front bezel to Wall-mount); D_{min} :10.65mm (Front bezel to Bezel back)
- (2) 10/8 Bit Selectable

2. Optical Specification

Optical characteristics are determined after the unit has been 'ON' and stable for approximately 45 minutes in a dark environment at 25°C while panel is placed in the default position. The default position is T-con side as the top side of panel. The value specified is at an approximate distance 50cm from the LCD surface at a viewing angle of φ and θ equal to 0°.

Fig.1 presents additional information concerning the measurement equipment and method.



| Parameter | Symbol | Values | | | Unit | Notes |
|--------------------------------------|----------------------|-----------|-------|-----------|-------------------|-------|
| | | Min. | Typ. | Max | | |
| Contrast Ratio | CR | 3200 | 4000 | -- | | 1 |
| Surface Luminance (White) | L_{WH} | 560 | 700 | -- | cd/m ² | 2 |
| Luminance Variation | $\delta_{WHITE(9P)}$ | -- | -- | 1.33 | | 3 |
| Response Time (G to G) | T_{γ} | -- | 6.5 | 10 | ms | 4 |
| Color Gamut | NTSC | | 72 | | % | |
| Color Coordinates | | | | | | |
| Red | R_x | Typ.-0.03 | 0.650 | Typ.+0.03 | | |
| | R_y | | 0.340 | | | |
| Green | G_x | | 0.310 | | | |
| | G_y | | 0.610 | | | |
| Blue | B_x | | 0.150 | | | |
| | B_y | | 0.070 | | | |
| White | W_x | | 0.280 | | | |
| | W_y | | 0.290 | | | |
| Viewing Angle | | | | | | |
| x axis, right($\varphi=0^\circ$) | θ_r | -- | 89 | -- | degree | 5 |
| x axis, left($\varphi=180^\circ$) | θ_l | -- | 89 | -- | degree | |
| y axis, up($\varphi=90^\circ$) | θ_u | -- | 89 | -- | degree | |
| y axis, down ($\varphi=270^\circ$) | θ_d | -- | 89 | -- | degree | |

Note:

1. Contrast Ratio (CR) is defined mathematically as:

$$\text{Contrast Ratio} = \frac{\text{Surface Luminance of } L_{\text{on5}}}{\text{Surface Luminance of } L_{\text{off5}}}$$

2. Surface luminance is luminance value at point 5 across the LCD surface 50cm from the surface with all pixels displaying white. From more information see FIG 2. When lamp current $I_H = 11\text{mA}$. $L_{\text{WH}} = L_{\text{on5}}$ where L_{on5} is the luminance with all pixels displaying white at center 5 location.

3. The variation in surface luminance, δ_{WHITE} is defined (center of Screen) as:

$$\delta_{\text{WHITE(9P)}} = \text{Maximum}(L_{\text{on1}}, L_{\text{on2}}, \dots, L_{\text{on9}}) / \text{Minimum}(L_{\text{on1}}, L_{\text{on2}}, \dots, L_{\text{on9}})$$

4. Response time T_γ is the average time required for display transition by switching the input signal for five luminance ratio (0%,25%,50%,75%,100% brightness matrix) and is based on $F_v = 60\text{Hz}$ to optimize.

T_γ is determined by 10% to 90% brightness difference of rising or falling period. (As illustrated)

| Measured Response Time | | Target | | | | |
|------------------------|------|------------|-------------|-------------|-------------|-------------|
| | | 0% | 25% | 50% | 75% | 100% |
| Start | 0% | | 0% to 25% | 0% to 50% | 0% to 75% | 0% to 100% |
| | 25% | 25% to 0% | | 25% to 50% | 25% to 75% | 25% to 100% |
| | 50% | 50% to 0% | 50% to 25% | | 50% to 75% | 50% to 100% |
| | 75% | 75% to 0% | 75% to 25% | 75% to 50% | | 75% to 100% |
| | 100% | 100% to 0% | 100% to 25% | 100% to 50% | 100% to 75% | |

5. Viewing angle is the angle at which the contrast ratio is greater than 10. The angles are determined for the horizontal or x axis and the vertical or y axis with respect to the z axis which is normal to the LCD surface. For more information see FIG4.

FIG. 2 Luminance

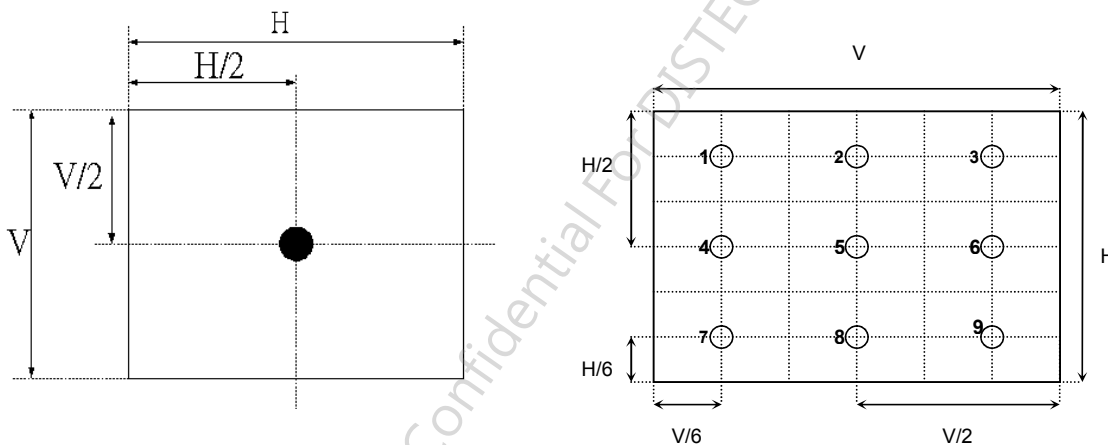


FIG.3 Response Time

The response time is defined as the following figure and shall be measured by switching the input signal for “any level of gray(bright)” and “any level of gray(dark)”.

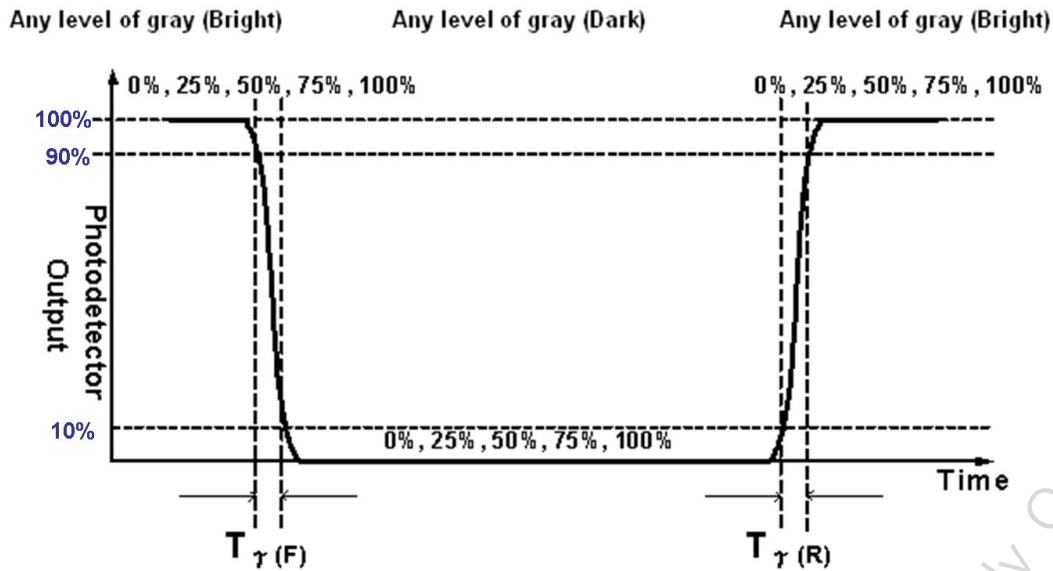
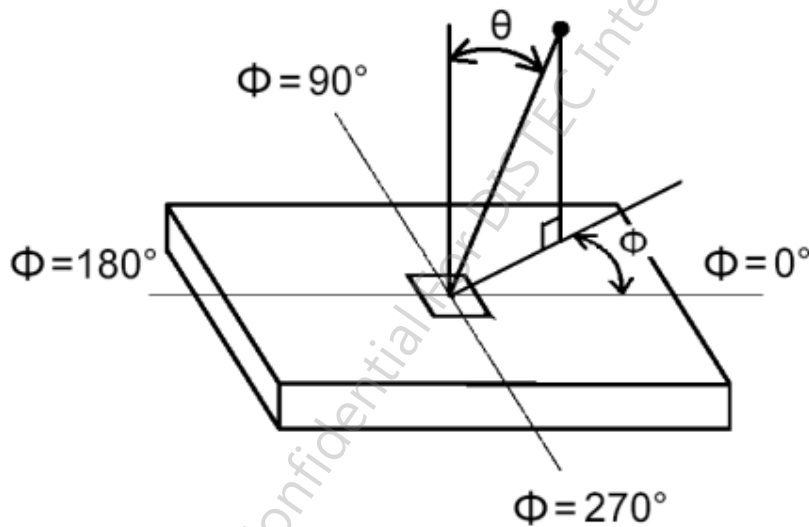


FIG.4 Viewing Angle



3. Mechanical Characteristics

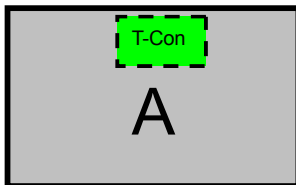
The contents provide general mechanical characteristics for the model P370IVN02.0. In addition the figures in the next page are detailed mechanical drawing of the LCD.

| | | |
|---------------------|-------------------|-----------|
| Outline Dimension | Horizontal (typ.) | 923.3mm |
| | Vertical (typ.) | 277.1mm |
| | Depth (min.) | 10.65mm |
| Bezel Opening Area | Horizontal (typ.) | 907.5mm |
| | Vertical (typ.) | 257.5 mm |
| Active Display Area | Horizontal | 904.32 mm |
| | Vertical | 254.34 mm |
| Weight | 4653(g) | |

Placement suggestions:

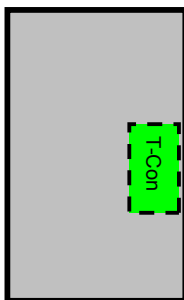
1. Landscape Mode: The default placement is T-Con Side on the top side and the image is shown upright via viewing from the front.

Landscape (Front view)

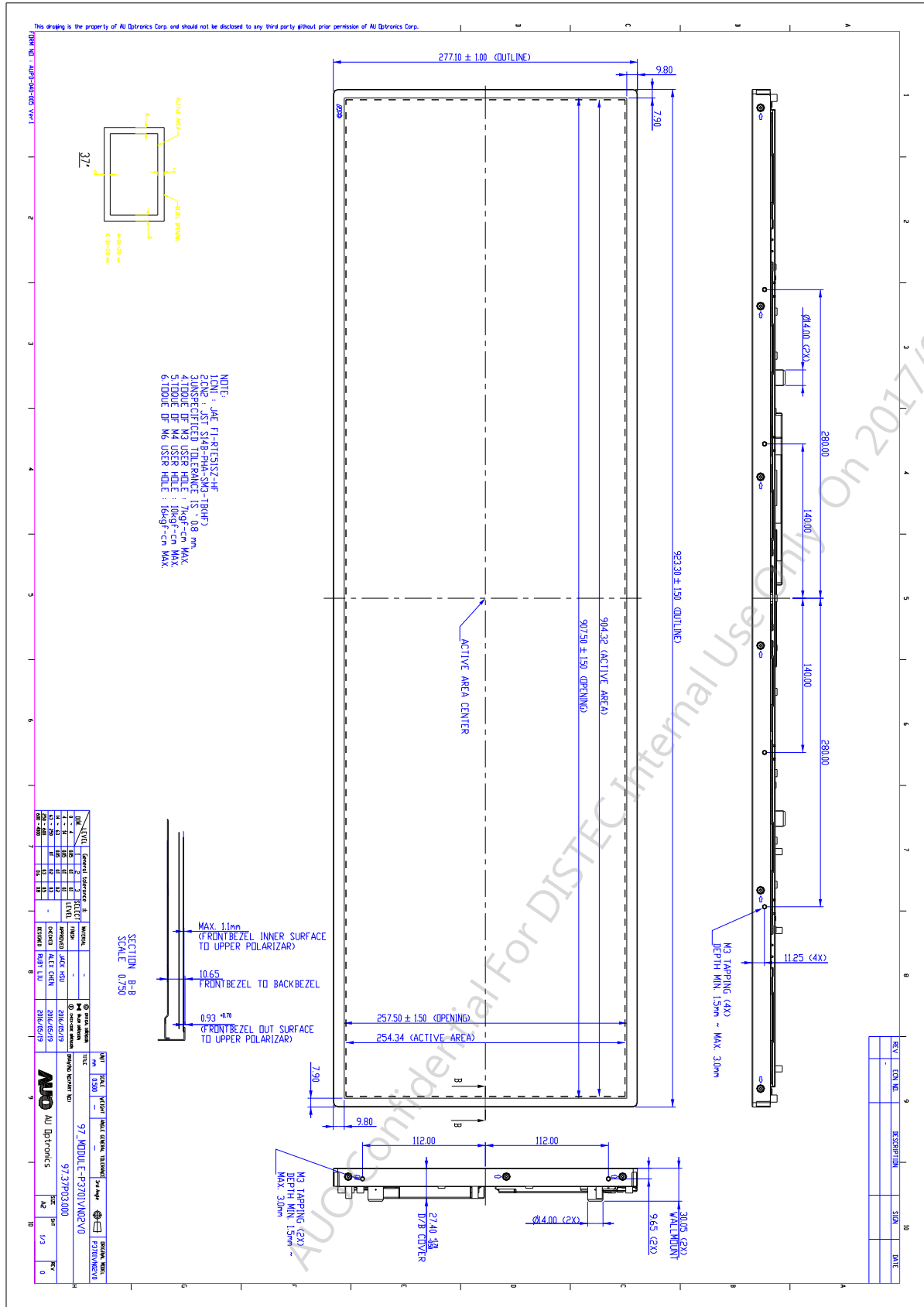


2. Portrait Mode: The default placement is that T-Con side has to be placed on the right side via viewing from the front.

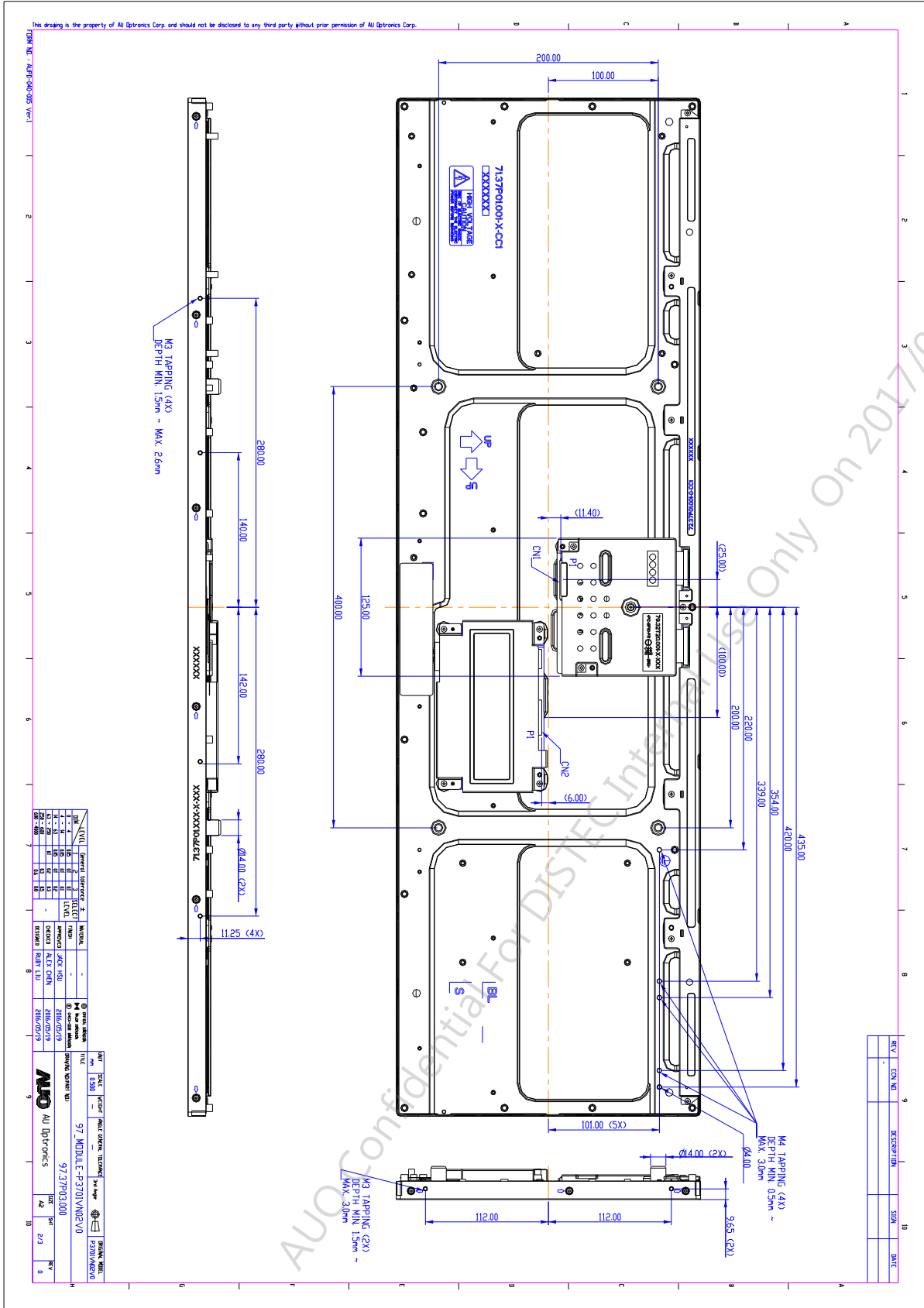
Portrait (Front view)



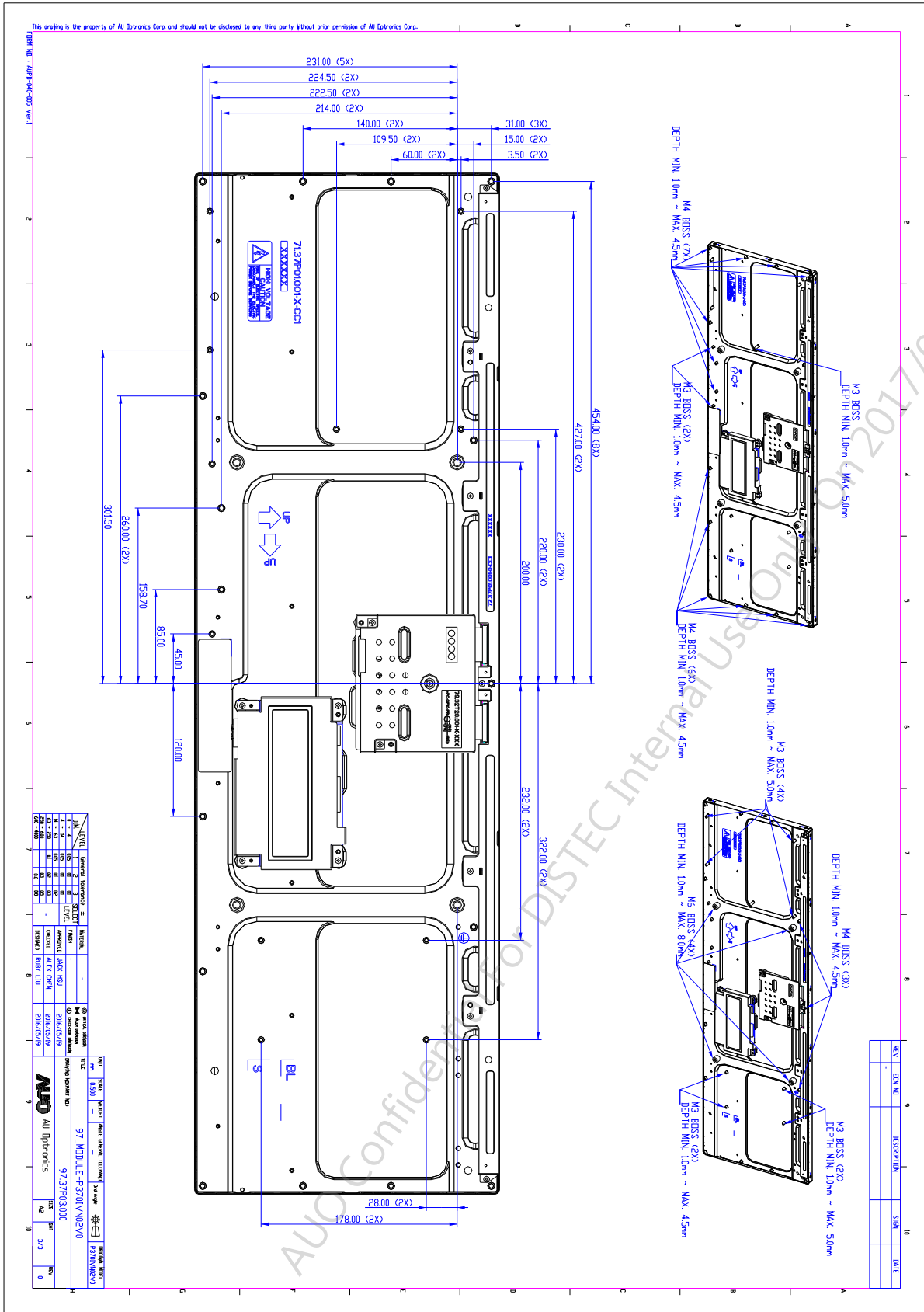
Front View



Back View (I)



Back View (II)



4. Reliability Test Items

| | Test Item | Q'ty | Condition |
|---|---------------------------------|---------|--|
| 1 | High temperature storage test | 3 | 60□, 500hrs |
| 2 | Low temperature storage test | 3 | -20□, 500hrs |
| 3 | High temperature operation test | 3 | 50□, 500hrs |
| 4 | Low temperature operation test | 3 | -5□, 500hrs |
| 5 | Vibration test (non-operation) | 3 | Wave form: random Vibration level: 1.0G RMS Bandwidth: 10-300Hz, Duration: X, Y, Z 10min per axes X,Y,Z : Vertical |
| 6 | Shock test (non-operation) | 3 | Shock level: 50G (±X, ±Y, ±Z) Waveform: half sine wave, 11ms Direction: ±X, ±Y, ±Z, One time each direction |
| 7 | Vibration test (With carton) | 1 (PKG) | Random wave (1.04G RMS, 2-200Hz) 20mins per each X,Y,Z axes |
| 8 | Drop test (With carton) | 1 (PKG) | Drop Height: 38.1cm, 1corner, 3edge, 6flats (ASTMD4169) |

5. Absolute Maximum Ratings

The followings are maximum values which, if exceeded, may cause faulty operation or damage to the unit

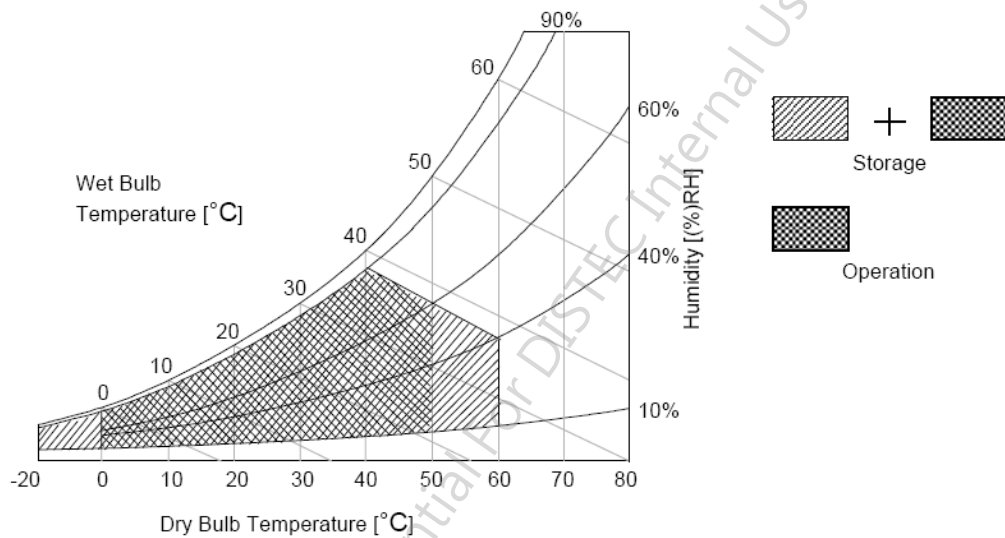
| Item | Symbol | Min | Max | Unit | Conditions |
|---------------------------|--------|------|-----|--------|------------|
| Logic/LCD Drive Voltage | Vcc | -0.3 | 14 | [Volt] | Note 1 |
| Input Voltage of Signal | Vin | -0.3 | 4 | [Volt] | Note 1 |
| Operating Temperature | TOP | 0 | +50 | [°C] | Note 2 |
| Operating Humidity | HOP | 10 | 90 | [%RH] | Note 2 |
| Storage Temperature | TST | -20 | +60 | [°C] | Note 2 |
| Storage Humidity | HST | 10 | 90 | [%RH] | Note 2 |
| Panel Surface Temperature | PST | | 65 | [°C] | Note 3 |

Note 1: Duration:50 msec.

Note 2 : Maximum Wet-Bulb should be 39□ and No condensation.

The relative humidity must not exceed 90% non-condensing at temperatures of 40□ or less. At temperatures greater than 40□, the wet bulb temperature must not exceed 39□.

Note 3: Surface temperature is measured at 50°C Dry condition



6. Electrical Specification

The P370IVN02.0 requires two power inputs. One is employed to power the LCD electronics and to drive the TFT array and liquid crystal. The second is employed for LED driver.

6.1.1 Electrical Characteristics

| Parameter | | Symbol | Value | | | Unit | Note |
|---|---|--------------------|-------|-------|----------------|--------------|------|
| | | | Min. | Typ. | Max | | |
| LCD | | | | | | | |
| Power Supply Input Voltage | | V_{DD} | 10.8 | 12 | 13.2 | V_{DC} | |
| Power Supply Input Current | | I_{DD} | -- | 0.5 | 0.6 | A | 1 |
| Power Consumption | | P_C | -- | 6 | 7.2 | Watt | 1 |
| Inrush Current | | I_{RUSH} | - | - | 3 | A | 2 |
| Permissible Ripple of Power Supply Input Voltage (for input power=12V) | | V_{RP} | -- | -- | $V_{DD} * 5\%$ | mV_{pk-pk} | 3 |
| LVDS Interface | Input Differential Voltage | $ V_{ID} $ | 200 | 400 | 600 | mV_{DC} | 4 |
| | Differential Input High Threshold Voltage | V_{TH} | +100 | -- | +300 | mV_{DC} | 4 |
| | Differential Input Low Threshold Voltage | V_{TL} | -300 | -- | -100 | mV_{DC} | 4 |
| | Input Common Mode Voltage | V_{ICM} | 1.1 | 1.25 | 1.4 | V_{DC} | 4 |
| CMOS Interface | Input High Threshold Voltage | V_{IH} (High) | 2.7 | -- | 3.3 | V_{DC} | 7 |
| | Input Low Threshold Voltage | V_{IL} (Low) | 0 | -- | 0.6 | V_{DC} | |
| Backlight Power Consumption | | P_{BL} | -- | 53 | 57.1 | W | |
| Life Time(MTTF) | | | 50000 | 70000 | | -- | 8 |

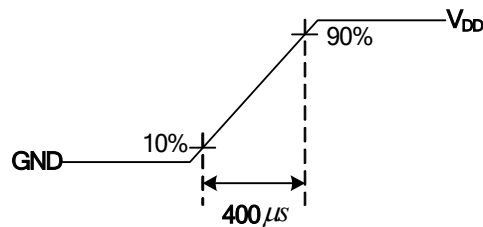
6.1.2 AC Characteristics

| Parameter | | Symbol | Value | | | Unit | Note |
|----------------|--|---------------|------------------|----------|------------------|------|------|
| | | | Min. | Typ. | Max | | |
| LVDS Interface | Receiver Clock : Spread Spectrum Modulation range | F_{clk_ss} | F_{clk} -3% | -- | F_{clk} +3% | MHz | 9 |
| | Receiver Clock : Spread Spectrum Modulation frequency | F_{ss} | 30 | -- | 200 | KHz | 9 |
| | Receiver Data Input Margin $F_{clk} = 85$ MHz $F_{clk} = 45$ MHz | t_{RMG} | -0.4 -0.5 | -- -- | 0.4 0.5 | ns | 10 |

Note :

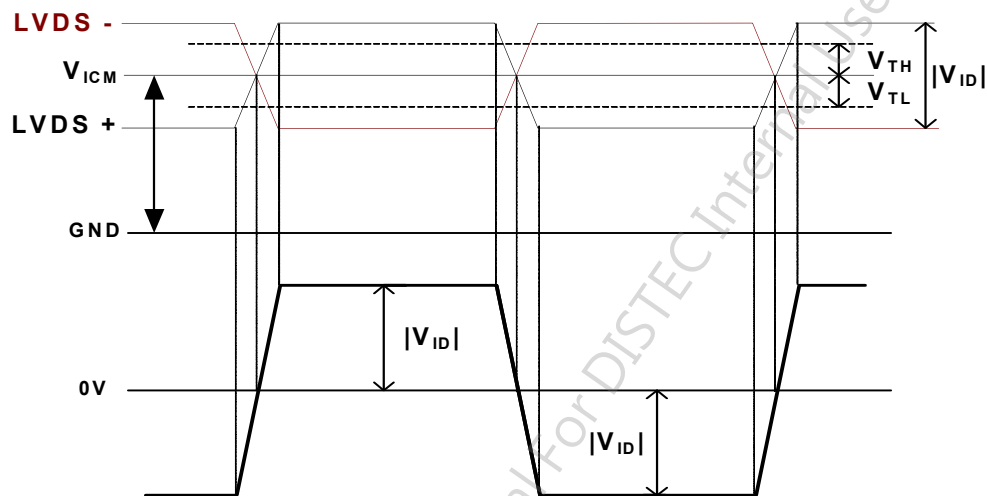
1. Test Condition:
 - (1) $V_{DD} = 12.0V$
 - (2) $F_v =$ Type Timing, 60Hz
 - (3) $F_{CLK} =$ Max freq.
 - (4) Temperature = 25 °C
 - (5) Test Pattern : White Pattern

2. Measurement condition : Rising time = 400us



3. Test Condition:
 - (1) The measure point of V_{RP} is in LCM side after connecting the System Board and LCM.
 - (2) Under Max. Input current spec. condition.

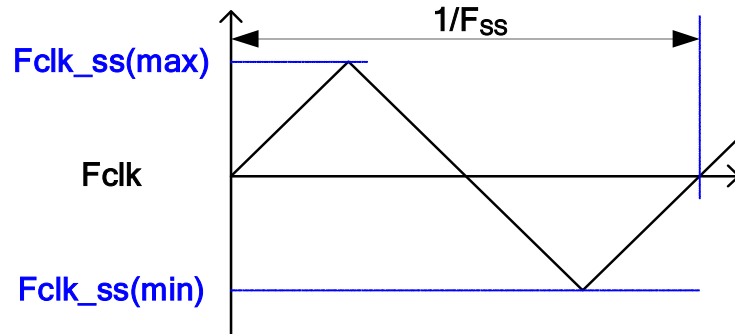
4. $V_{ICM} = 1.25V$



5. Do not attach a conducting tape to lamp connecting wire. If the lamp wire attach to conducting tape, TFT-LCD Module have a low luminance and the inverter has abnormal action because leakage current occurs between lamp wire and conducting tape.
6. The relative humidity must not exceed 80% non-condensing at temperatures of 40°C or less. At temperatures greater than 40°C, the wet bulb temperature must not exceed 39°C. When operate at high temperatures, the brightness of LED will drop and the life time of LED will be reduced.
7. The measure points of V_{IH} and V_{IL} are in LCM side after connecting the System Board and LCM.

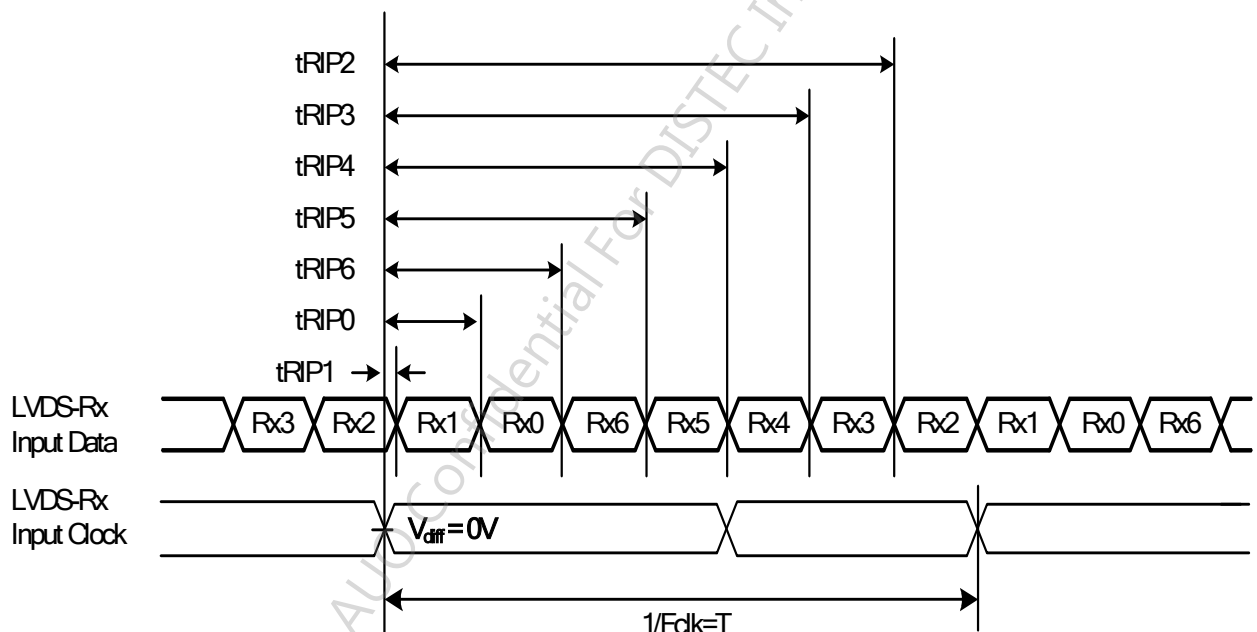
8. The lifetime (MTTF) is defined as the time which luminance of the LED is 50% compared to its original value. [Operating condition: Continuous operating at $T_a = 25 \pm 2^\circ\text{C}$]

9. LVDS Receiver Clock SSCG (Spread spectrum clock generator) is defined as below figures



10. Receiver Data Input Margin

| Parameter | Symbol | Rating | | | Unit | Note |
|-----------------------|--------|-----------------|--------|-----------------|------|------------|
| | | Min | Type | Max | | |
| Input Clock Frequency | Fclk | Fclk (min) | -- | Fclk (max) | MHz | $T=1/Fclk$ |
| Input Data Position0 | tRIP1 | - tRMG | 0 | tRMG | ns | |
| Input Data Position1 | tRIP0 | $T/7 - tRMG $ | $T/7$ | $T/7 + tRMG $ | ns | |
| Input Data Position2 | tRIP6 | $2T/7 - tRMG $ | $2T/7$ | $2T/7 + tRMG $ | ns | |
| Input Data Position3 | tRIP5 | $3T/7 - tRMG $ | $3T/7$ | $3T/7 + tRMG $ | ns | |
| Input Data Position4 | tRIP4 | $4T/7 - tRMG $ | $4T/7$ | $4T/7 + tRMG $ | ns | |
| Input Data Position5 | tRIP3 | $5T/7 - tRMG $ | $5T/7$ | $5T/7 + tRMG $ | ns | |
| Input Data Position6 | tRIP2 | $6T/7 - tRMG $ | $6T/7$ | $6T/7 + tRMG $ | ns | |



6.2 Interface Connections

- LCD connector: FI-RTE51SZ-HF (JAE)
- Matching: FI-RE51HL

| PIN | Symbol | Description | PIN | Symbol | Description |
|-----|----------|--|-----|-----------------|---------------------------------|
| 1 | N.C. | AUO Internal Use Only | 26 | N.C. | AUO Internal Use Only |
| 2 | N.C. | AUO Internal Use Only | 27 | N.C. | AUO Internal Use Only |
| 3 | N.C. | AUO Internal Use Only | 28 | CH2_0- | LVDS Channel 2, Signal 0- |
| 4 | N.C. | AUO Internal Use Only | 29 | CH2_0+ | LVDS Channel 2, Signal 0+ |
| 5 | BITSEL | LVDS 8/10 bit input selection Open / Low (GND): 8bits High(3.3V): 10bits | 30 | CH2_1- | LVDS Channel 2, Signal 1- |
| 6 | N.C. | N.C. | 31 | CH2_1+ | LVDS Channel 2, Signal 1+ |
| 7 | LVDS_SEL | Open/High(3.3V) for NS, Low(GND) for JEIDA | 32 | CH2_2- | LVDS Channel 2, Signal 2- |
| 8 | N.C. | No connection | 33 | CH2_2+ | LVDS Channel 2, Signal 2+ |
| 9 | N.C. | No connection | 34 | GND | Ground |
| 10 | N.C. | No connection | 35 | CH2_CLK- | LVDS Channel 2, Clock - |
| 11 | GND | Ground | 36 | CH2_CLK+ | LVDS Channel 2, Clock + |
| 12 | CH1_0- | LVDS Channel 1, Signal 0- | 37 | GND | Ground |
| 13 | CH1_0+ | LVDS Channel 1, Signal 0+ | 38 | CH2_3- | LVDS Channel 2, Signal 3- |
| 14 | CH1_1- | LVDS Channel 1, Signal 1- | 39 | CH2_3+ | LVDS Channel 2, Signal 3+ |
| 15 | CH1_1+ | LVDS Channel 1, Signal 1+ | 40 | CH2_4- | LVDS Channel 2, Signal 4- |
| 16 | CH1_2- | LVDS Channel 1, Signal 2- | 41 | CH2_4+ | LVDS Channel 2, Signal 4+ |
| 17 | CH1_2+ | LVDS Channel 1, Signal 2+ | 42 | N.C. | AUO Internal Use Only |
| 18 | GND | Ground | 43 | N.C. | No connection |
| 19 | CH1_CLK- | LVDS Channel 1, Clock - | 44 | GND | Ground |
| 20 | CH1_CLK+ | LVDS Channel 1, Clock + | 45 | GND | Ground |
| 21 | GND | Ground | 46 | GND | Ground |
| 22 | CH1_3- | LVDS Channel 1, Signal 3- | 47 | N.C. | No connection |
| 23 | CH1_3+ | LVDS Channel 1, Signal 3+ | 48 | V _{DD} | Power Supply, +12V DC Regulated |
| 24 | CH1_4- | LVDS Channel 1, Signal 4- | 49 | V _{DD} | Power Supply, +12V DC Regulated |
| 25 | CH1_4+ | LVDS Channel 1, Signal 4+ | 50 | V _{DD} | Power Supply, +12V DC Regulated |
| | | | 51 | V _{DD} | Power Supply, +12V DC Regulated |

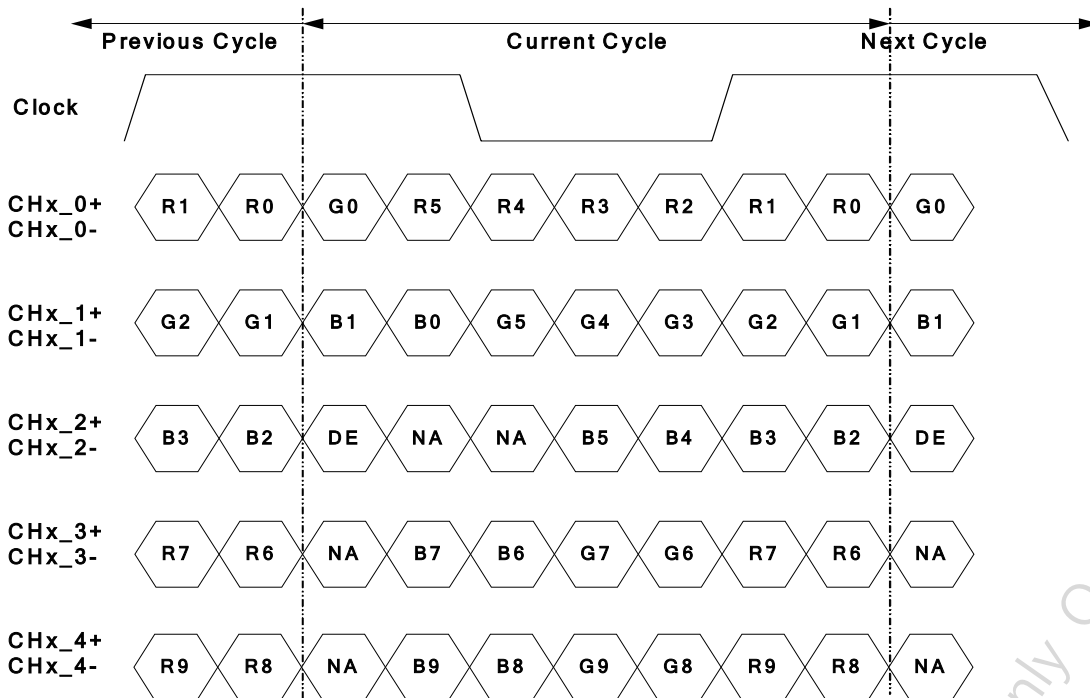
Note: N.C. : please leave this pin unoccupied. It can not be connected by any signal (Low/GND/High).

Note 1: All GND (ground) pins should be connected together and should also be connected to the LCD's metal frame.

Note 2: All V_{DD} (power input) pins should be connected together.

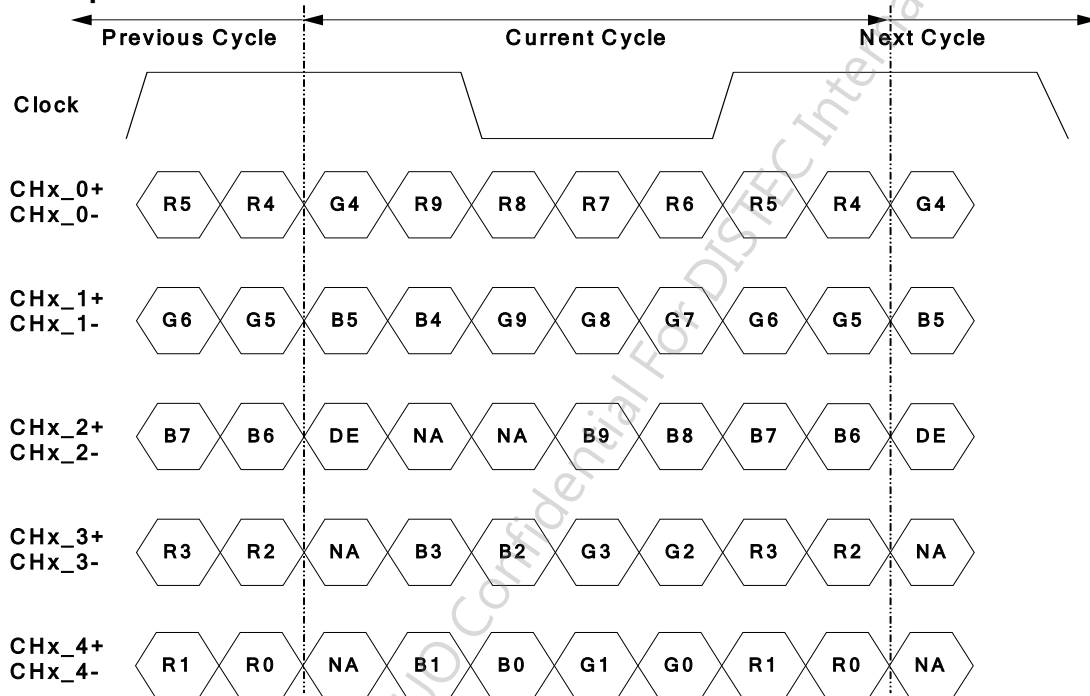
Note 3: All NC (no connection) pins should be open without voltage input.

LVDS Option = High/Open→NS



Note: x = 1, 2, 3, 4...

LVDS Option = Low→JEIDA



Note: x = 1, 2, 3, 4...

6.3 Signal Timing Specification

This is the signal timing required at the input of the user connector. All of the interface signal timing should be satisfied with the following specifications for its proper operation.

Timing Table (DE only Mode)

Vertical Frequency Range (60Hz)

| Signal | Item | Symbol | Min. | Typ. | Max | Unit |
|----------------------|-----------|-------------|------|------|------|------|
| Vertical Section | Period | Tv | 560 | 585 | 940 | Th |
| | Active | Tdisp (v) | 540 | | | Th |
| | Blanking | Tblk (v) | 20 | 45 | 400 | Th |
| Horizontal Section | Period | Th | 1030 | 1282 | 1325 | Tclk |
| | Active | Tdisp (h) | 960 | | | Tclk |
| | Blanking | Tblk (h) | 70 | 322 | 365 | Tclk |
| Clock | Frequency | Fclk=1/Tclk | 42 | 45 | 48 | MHz |
| Vertical Frequency | Frequency | Fv | 47 | 60 | 63 | Hz |
| Horizontal Frequency | Frequency | Fh | 33.6 | 35.1 | 36.6 | KHz |

Notes:

(1) Display position is specific by the rise of DE signal only.

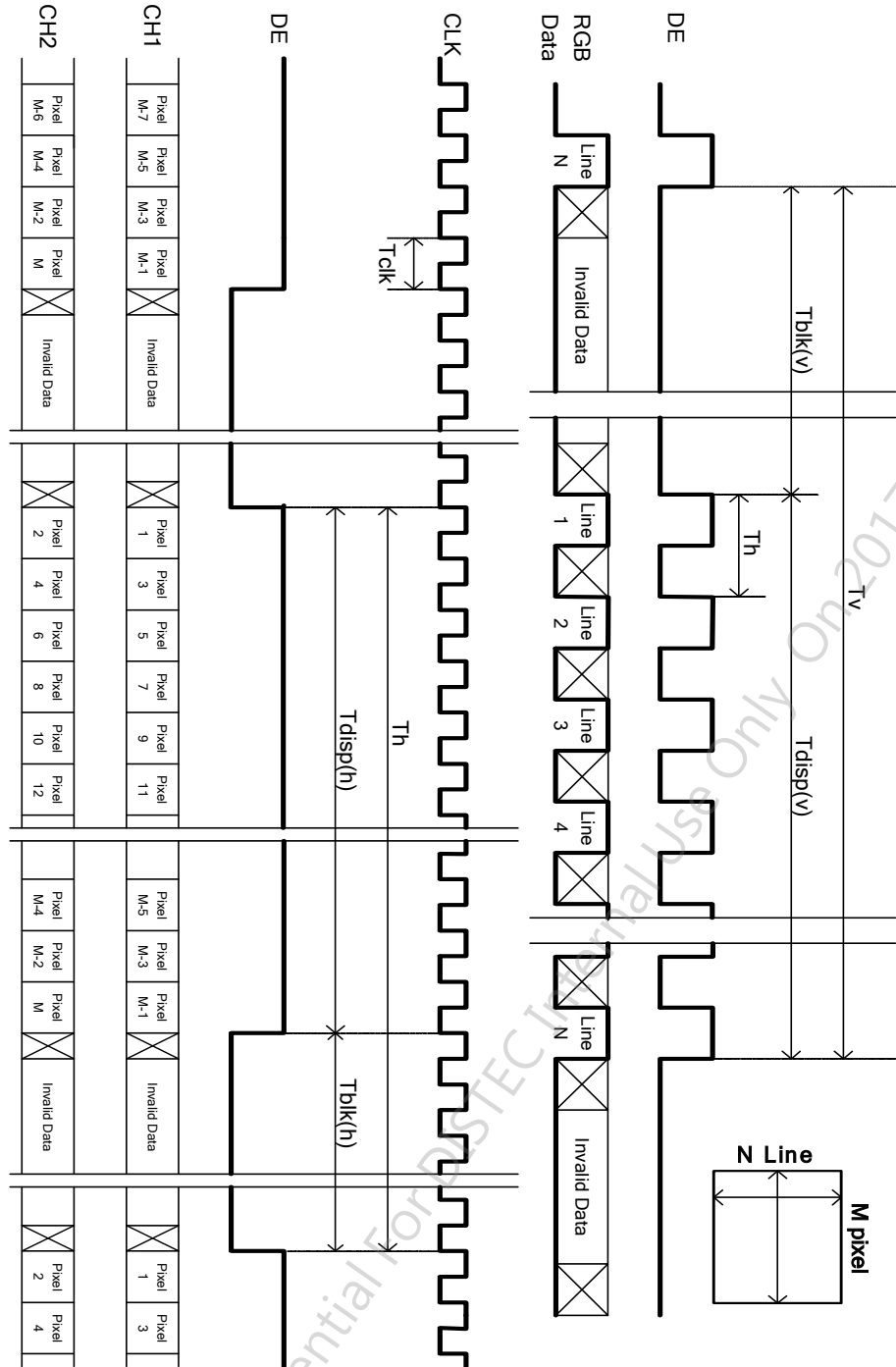
Horizontal display position is specified by the rising edge of 1st DCLK after the rise of 1st DE, is displayed on the left edge of the screen.

(2) Vertical display position is specified by the rise of DE after a “Low” level period equivalent to eight times of horizontal period. The 1st data corresponding to one horizontal line after the rise of 1st DE is displayed at the top line of screen.

(3) If a period of DE “High” is less than 1920 DCLK or less than 540 lines, the rest of the screen displays black.

(4) The display position does not fit to the screen if a period of DE “High” and the effective data period do not synchronize with each other.

6.4 Signal Timing Waveforms



6.5 Color Input Data Reference

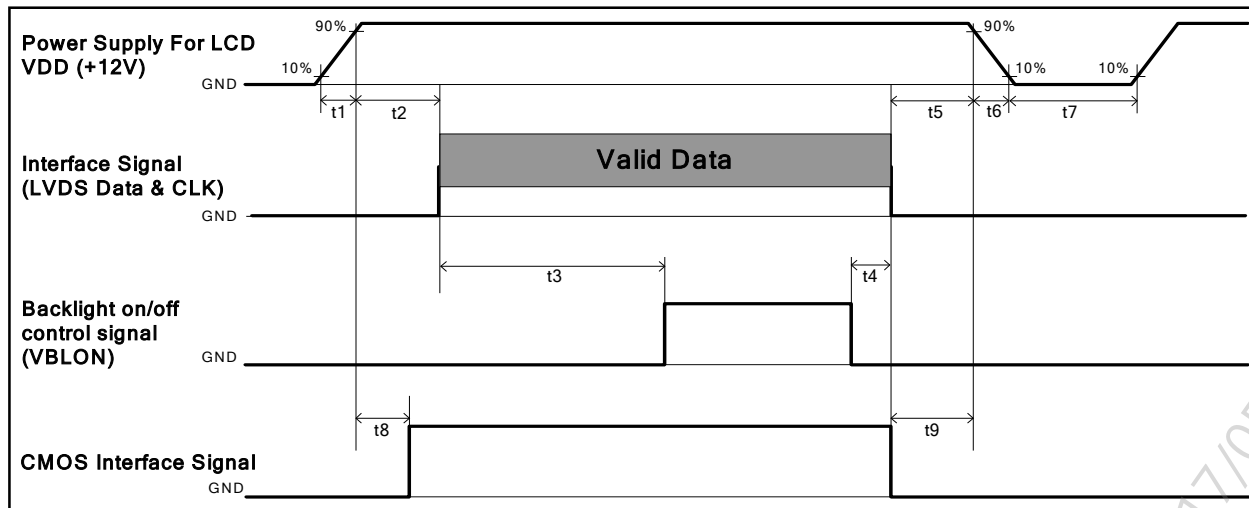
The brightness of each primary color (red, green and blue) is based on the 10 bit gray scale data input for the color; the higher the binary input, the brighter the color. The table below provides a reference for color versus data input.

COLOR DATA REFERENCE

| Color | | Input Color Data | | | | | | | | | | | | | | | | | | | | | | | | | | | | | |
|-------------|-------------|------------------|----|----|----|----|-----|----|----|----|----|-------|----|----|----|----|-----|----|----|----|----|------|----|----|----|----|-----|----|----|----|----|
| | | RED | | | | | | | | | | GREEN | | | | | | | | | | BLUE | | | | | | | | | |
| | | MSB | | | | | LSB | | | | | MSB | | | | | LSB | | | | | MSB | | | | | LSB | | | | |
| | | R9 | R8 | R7 | R6 | R5 | R4 | R3 | R2 | R1 | R0 | G9 | G8 | G7 | G6 | G5 | G4 | G3 | G2 | G1 | G0 | B9 | B8 | B7 | B6 | B5 | B4 | B3 | B2 | B1 | B0 |
| Basic Color | Black | 0 | 0 | 0 | 0 | 0 | 0 | 0 | 0 | 0 | 0 | 0 | 0 | 0 | 0 | 0 | 0 | 0 | 0 | 0 | 0 | 0 | 0 | 0 | 0 | 0 | 0 | 0 | 0 | 0 | 0 |
| | Red(1023) | 1 | 1 | 1 | 1 | 1 | 1 | 1 | 1 | 1 | 1 | 0 | 0 | 0 | 0 | 0 | 0 | 0 | 0 | 0 | 0 | 0 | 0 | 0 | 0 | 0 | 0 | 0 | 0 | 0 | 0 |
| | Green(1023) | 0 | 0 | 0 | 0 | 0 | 0 | 0 | 0 | 0 | 0 | 1 | 1 | 1 | 1 | 1 | 1 | 1 | 1 | 1 | 1 | 0 | 0 | 0 | 0 | 0 | 0 | 0 | 0 | 0 | 0 |
| | Blue(1023) | 0 | 0 | 0 | 0 | 0 | 0 | 0 | 0 | 0 | 0 | 0 | 0 | 0 | 0 | 0 | 0 | 0 | 0 | 0 | 0 | 1 | 1 | 1 | 1 | 1 | 1 | 1 | 1 | 1 | 1 |
| | Cyan | 0 | 0 | 0 | 0 | 0 | 0 | 0 | 0 | 0 | 0 | 1 | 1 | 1 | 1 | 1 | 1 | 1 | 1 | 1 | 1 | 1 | 1 | 1 | 1 | 1 | 1 | 1 | 1 | 1 | 1 |
| | Magenta | 1 | 1 | 1 | 1 | 1 | 1 | 1 | 1 | 1 | 1 | 0 | 0 | 0 | 0 | 0 | 0 | 0 | 0 | 0 | 0 | 1 | 1 | 1 | 1 | 1 | 1 | 1 | 1 | 1 | 1 |
| | Yellow | 1 | 1 | 1 | 1 | 1 | 1 | 1 | 1 | 1 | 1 | 1 | 1 | 1 | 1 | 1 | 1 | 1 | 1 | 1 | 1 | 0 | 0 | 0 | 0 | 0 | 0 | 0 | 0 | 0 | 0 |
| | White | 1 | 1 | 1 | 1 | 1 | 1 | 1 | 1 | 1 | 1 | 1 | 1 | 1 | 1 | 1 | 1 | 1 | 1 | 1 | 1 | 1 | 1 | 1 | 1 | 1 | 1 | 1 | 1 | 1 | 1 |
| R | RED(000) | 0 | 0 | 0 | 0 | 0 | 0 | 0 | 0 | 0 | 0 | 0 | 0 | 0 | 0 | 0 | 0 | 0 | 0 | 0 | 0 | 0 | 0 | 0 | 0 | 0 | 0 | 0 | 0 | 0 | |
| | RED(001) | 0 | 0 | 0 | 0 | 0 | 0 | 0 | 0 | 0 | 0 | 0 | 0 | 0 | 0 | 0 | 0 | 0 | 0 | 0 | 0 | 0 | 0 | 0 | 0 | 0 | 0 | 0 | 0 | 0 | |
| | --- | | | | | | | | | | | | | | | | | | | | | | | | | | | | | | |
| | RED(1022) | 1 | 1 | 1 | 1 | 1 | 1 | 1 | 1 | 1 | 0 | 0 | 0 | 0 | 0 | 0 | 0 | 0 | 0 | 0 | 0 | 0 | 0 | 0 | 0 | 0 | 0 | 0 | 0 | 0 | |
| | RED(1023) | 1 | 1 | 1 | 1 | 1 | 1 | 1 | 1 | 1 | 0 | 0 | 0 | 0 | 0 | 0 | 0 | 0 | 0 | 0 | 0 | 0 | 0 | 0 | 0 | 0 | 0 | 0 | 0 | 0 | |
| G | GREEN(000) | 0 | 0 | 0 | 0 | 0 | 0 | 0 | 0 | 0 | 0 | 0 | 0 | 0 | 0 | 0 | 0 | 0 | 0 | 0 | 0 | 0 | 0 | 0 | 0 | 0 | 0 | 0 | 0 | 0 | |
| | GREEN(001) | 0 | 0 | 0 | 0 | 0 | 0 | 0 | 0 | 0 | 0 | 0 | 0 | 0 | 0 | 0 | 0 | 0 | 0 | 1 | 0 | 0 | 0 | 0 | 0 | 0 | 0 | 0 | 0 | 0 | |
| | --- | | | | | | | | | | | | | | | | | | | | | | | | | | | | | | |
| | GREEN(1022) | 0 | 0 | 0 | 0 | 0 | 0 | 0 | 0 | 0 | 1 | 1 | 1 | 1 | 1 | 1 | 1 | 1 | 1 | 0 | 0 | 0 | 0 | 0 | 0 | 0 | 0 | 0 | 0 | 0 | |
| | GREEN(1023) | 0 | 0 | 0 | 0 | 0 | 0 | 0 | 0 | 0 | 1 | 1 | 1 | 1 | 1 | 1 | 1 | 1 | 1 | 1 | 0 | 0 | 0 | 0 | 0 | 0 | 0 | 0 | 0 | 0 | |
| B | BLUE(000) | 0 | 0 | 0 | 0 | 0 | 0 | 0 | 0 | 0 | 0 | 0 | 0 | 0 | 0 | 0 | 0 | 0 | 0 | 0 | 0 | 0 | 0 | 0 | 0 | 0 | 0 | 0 | 0 | 0 | |
| | BLUE(001) | 0 | 0 | 0 | 0 | 0 | 0 | 0 | 0 | 0 | 0 | 0 | 0 | 0 | 0 | 0 | 0 | 0 | 0 | 0 | 0 | 0 | 0 | 0 | 0 | 0 | 0 | 0 | 0 | 1 | |
| | --- | | | | | | | | | | | | | | | | | | | | | | | | | | | | | | |
| | BLUE(1022) | 0 | 0 | 0 | 0 | 0 | 0 | 0 | 0 | 0 | 0 | 0 | 0 | 0 | 0 | 0 | 0 | 0 | 0 | 0 | 1 | 1 | 1 | 1 | 1 | 1 | 1 | 1 | 1 | 0 | |
| | BLUE(1023) | 0 | 0 | 0 | 0 | 0 | 0 | 0 | 0 | 0 | 0 | 0 | 0 | 0 | 0 | 0 | 0 | 0 | 0 | 0 | 1 | 1 | 1 | 1 | 1 | 1 | 1 | 1 | 1 | 1 | |

6.6 Power Sequence

◆ Power Sequence of LCD



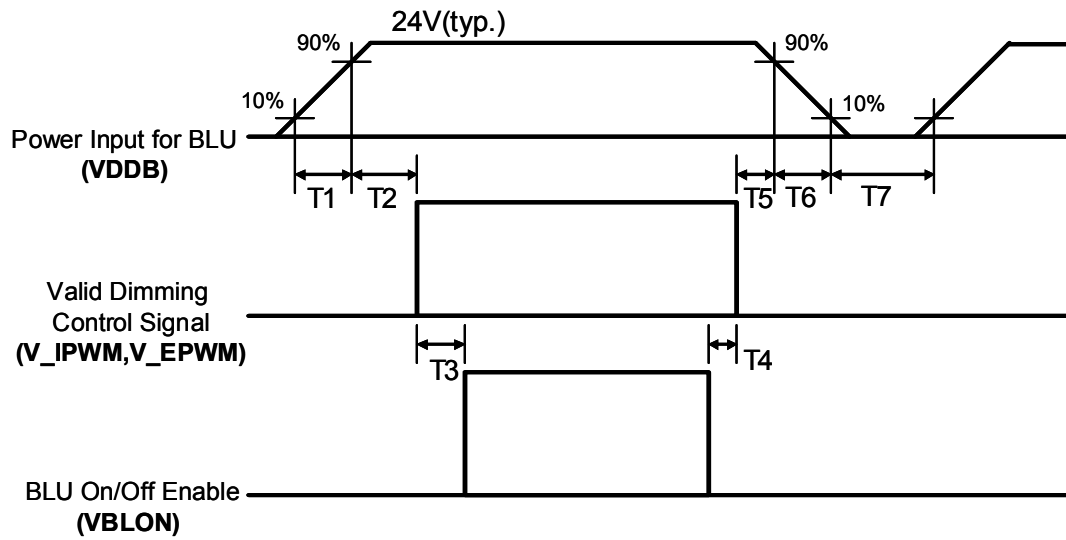
| Parameter | Values | | | Unit |
|-----------|-----------------|-------|-------------------|------|
| | Min. | Type. | Max. | |
| t1 | 0.4 | --- | 30 | ms |
| t2 | 0.1 | --- | 50 | ms |
| t3 | 450 | --- | --- | ms |
| t4 | 0 ^{*1} | --- | --- | ms |
| t5 | 0 | --- | --- | ms |
| t6 | --- | --- | --- ^{*2} | ms |
| t7 | 500 | --- | --- | ms |
| t8 | 10 | --- | 50 | ms |
| t9 | 0 | --- | --- | ms |

Note:

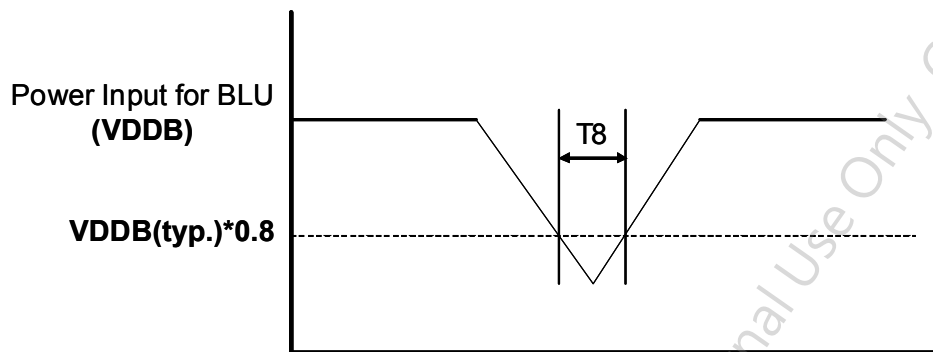
(1) t4=0 : concern for residual pattern before BLU turn off.

(2) t6 : voltage of VDD must decay smoothly after power-off. (customer system decide this value)

◆ Power Sequence of backlight (LED)



Dip condition



| Parameter | Value | | | Units |
|-----------|-------|-----|-----|------------------|
| | Min | Typ | Max | |
| T1 | 20 | - | - | ms ⁻¹ |
| T2 | 500 | - | - | ms |
| T3 | 250 | - | - | ms |
| T4 | 0 | - | - | ms |
| T5 | 1 | - | - | ms |
| T6 | - | - | - | ms |
| T8 | - | - | 10 | Ms |

6.7 Backlight Specification

The backlight unit contains 72pcs LED.

6.7.1 Electrical specification

| | Item | Symbol | Condition | Spec | | | Unit | Note | |
|----|------------------------------|------------------------------|-----------------------|-----------------------|----------------|------|------|------|-----|
| | | | | Min | Typ | Max | | | |
| 1 | Input Voltage | V _{DDB} | - | 22.8 | 24 | 25.2 | VDC | - | |
| 2 | Input Current | I _{DDB} | V _{DDB} =24V | -- | 2.21 | 2.38 | ADC | 1 | |
| 3 | Input Power | P _{DDB} | V _{DDB} =24V | -- | 53 | 57.1 | W | 1 | |
| 4 | Inrush Current | I _{RUSH} | V _{DDB} =24V | - | - | 3.87 | ADC | 2 | |
| 5 | On/Off control voltage | V _{B_{LON}} | ON | V _{DDB} =24V | 2 | - | 5 | VDC | - |
| | | | OFF | | 0 | - | 0.8 | | - |
| 6 | On/Off control current | I _{B_{LON}} | V _{DDB} =24V | - | - | 1.5 | mA | - | |
| 7 | External PWM Control Voltage | V _{EPWM} | MAX | V _{DDB} =24V | 2 | - | 3.3 | VDC | - |
| | | | MIN | V _{DDB} =24V | 0 | - | 0.8 | | - |
| 8 | External PWM Control Current | I _{EPWM} | V _{DDB} =24V | - | - | 2 | mADC | - | |
| 9 | External PWM Duty ratio | D _{EPWM} | V _{DDB} =24V | 20 | - | 100 | % | 3 | |
| 10 | External PWM Frequency | F _{EPWM} | V _{DDB} =24V | 6000 | 6500 | 7000 | Hz | - | |
| 11 | DET status signal | DET | HI | V _{DDB} =24V | Open Collector | | VDC | - | |
| | | | LO | | 0 | - | 0.8 | | VDC |
| 12 | Input Impedance | R _{in} | V _{DDB} =24V | 300 | | | Kohm | - | |

Note 1 : Dimming ratio= 100% (MAX) (Ta=25±5℃, Turn on for 45minutes)

Note 2: Measurement condition Rising time = 20ms (V_{DDB} : 10%~90%) and at dimming ratio = 100%

Note 3: Less than 20% dimming control is functional well and no backlight shutdown happened

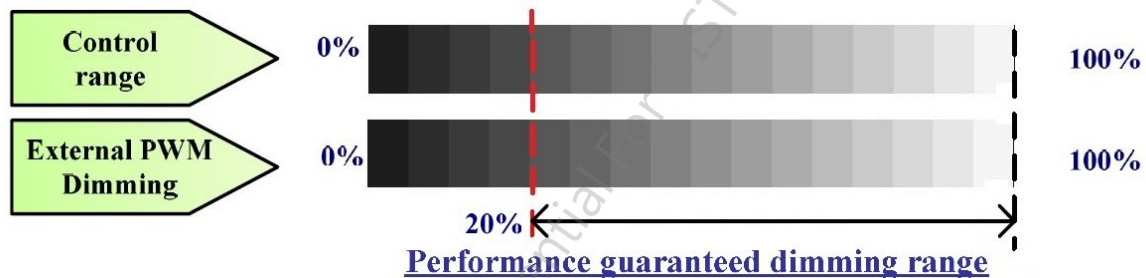
6.7.2 Input Pin Assignment

LED driver board connector: S14B-PHA-SM3-TB(HF) (Maker: JST)

Matching: PHAR-14

| Pin | Symbol | Description |
|-----|--------|---|
| 1 | VDDB | Operating Voltage Supply, +24V DC regulated |
| 2 | VDDB | Operating Voltage Supply, +24V DC regulated |
| 3 | VDDB | Operating Voltage Supply, +24V DC regulated |
| 4 | VDDB | Operating Voltage Supply, +24V DC regulated |
| 5 | VDDB | Operating Voltage Supply, +24V DC regulated |
| 6 | BLGND | Ground and Current Return |
| 7 | BLGND | Ground and Current Return |
| 8 | BLGND | Ground and Current Return |
| 9 | BLGND | Ground and Current Return |
| 10 | BLGND | Ground and Current Return |
| 11 | DET | BLU status detection: Normal : 0~0.8V ; Abnormal : Open collector (Recommend Pull high R>10K, VDD=3.3V) |
| 12 | VBLON | BLU On-Off control: BL On : High/Open (2V~5.5V); BL off : Low (0~0.8V/GND) |
| 13 | NC | NC |
| 14 | PDIM | External PWM (20%~100% Duty, open for 100%) |

PWM Dimming Range:



(Note*) IF External PWM function includes 20% dimming ratio. Judge condition as below:

- (1) Backlight module must be lighted ON normally.
- (2) All protection function must work normally.
- (3) Uniformity and flicker could NOT be guaranteed

7. International Standard

7.1 Safety

- (1) UL 60950-1, UL 60065; Standard for Safety of Information Technology Equipment Including electrical Business Equipment.
- (2) IEC 60950-1 : 2001, IEC 60065:2001 ; Standard for Safety of International Electro technical Commission
- (3) EN 60950 : 2001+A11, EN 60065:2002+A1:2006; European Committee for Electro technical Standardization (CENELEC), EUROPEAN STANDARD for Safety of Information Technology Equipment Including Electrical Business Equipment

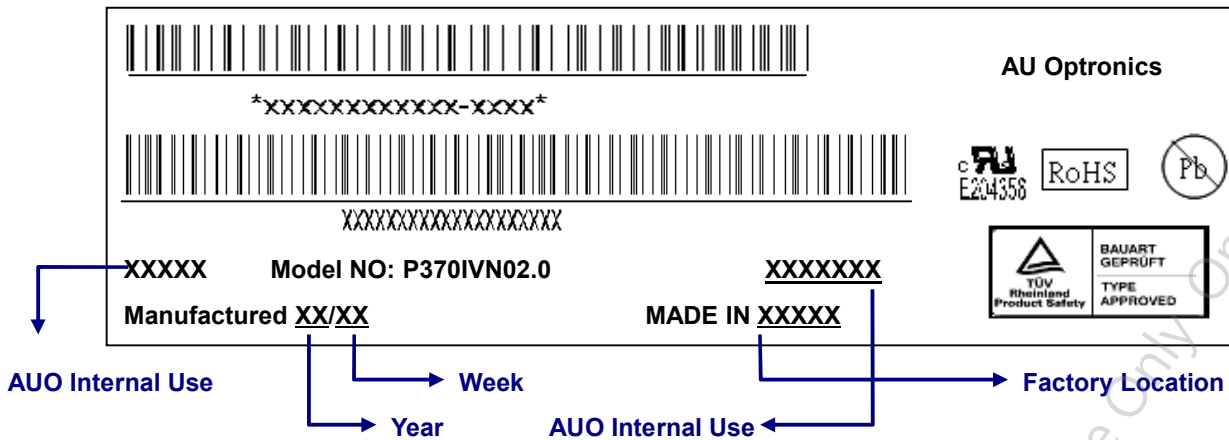
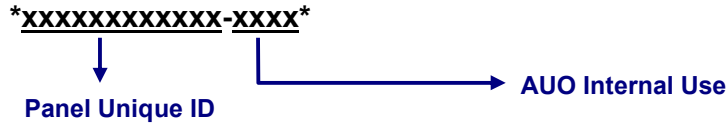
7.2 EMC

- (1) ANSI C63.4 "Methods of Measurement of Radio-Noise Emissions from Low-Voltage Electrical and Electrical Equipment in the Range of 9kHz to 40GHz." American National standards Institute(ANSI), 1992
- (2) C.I.S.P.R "Limits and Methods of Measurement of Radio Interface Characteristics of Information Technology Equipment." International Special committee on Radio Interference.
- (3) EN 55022 "Limits and Methods of Measurement of Radio Interface Characteristics of Information Technology Equipment." European Committee for Electro technical Standardization. (CENELEC), 1998

8. Packing

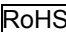
8-1 DEFINITION OF LABEL:

A. Panel Label:



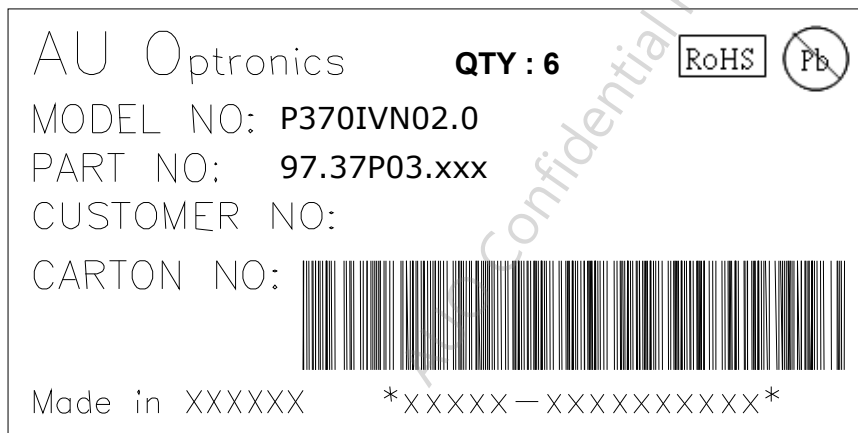
Green mark description

(1) For Pb Free Product, AUO will add  for identification.

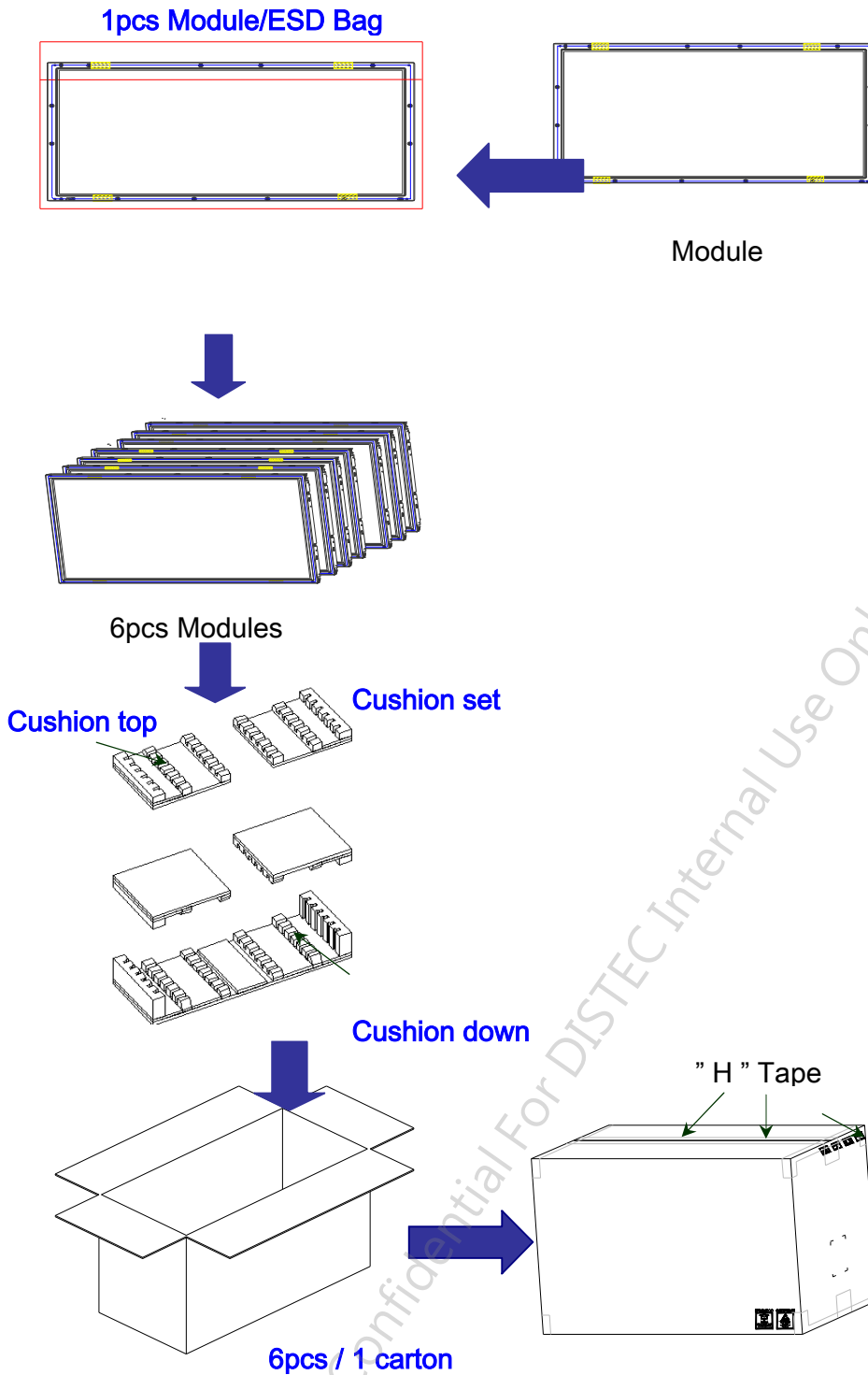
(2) For RoHs compatible products, AUO will add  for identification.

Note: The green Mark will be present only when the green documents have been ready by AUO internal green team. (definition of green design follows the AUO green design checklist.)

B. Carton Label: (TBD)



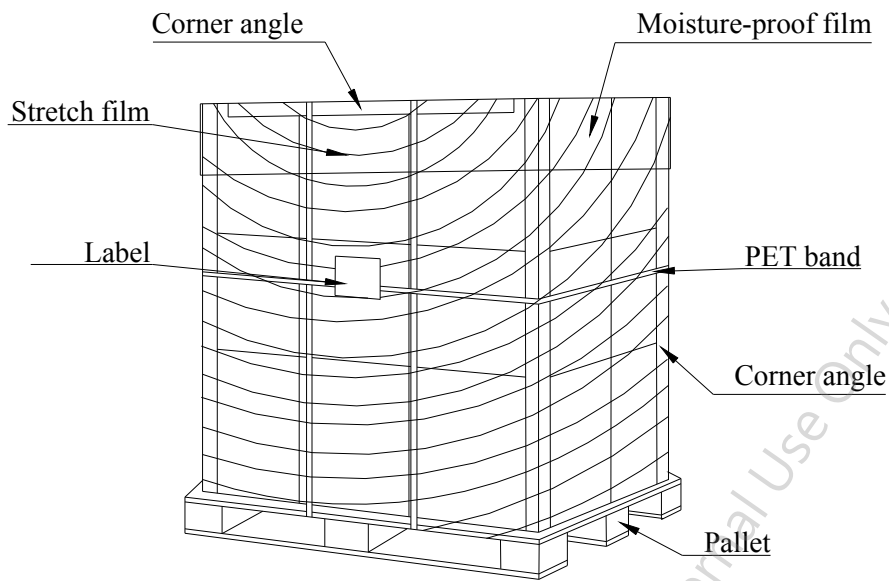
8-2 PACKING METHODS:



AUO Confidential For DISTEC Internal Use Only On 2017/05/11

8-3 Pallet and Shipment Information

| | Item | Specification | | | Packing Remark |
|---|----------------------|------------------------------|------------------------------|-------------|----------------|
| | | Qty. | Dimension | Weight (kg) | |
| 1 | Packing Box | 6pcs/box | 1041(L)mm*380(W)mm*420(H)mm | 31.8 | |
| 2 | Pallet | 1 | 1150(L)mm*1070(W)mm*132(H)mm | 14 | |
| 3 | Boxes per Pallet | 3boxes/layer ; 6boxes/pallet | | | |
| 4 | Panels per Pallet | 36pcs/pallet | | | |
| 5 | Pallet after packing | 36pcs/pallet | 1150(L)mm*1070(W)mm*972(H)mm | 204.8 | |



AUO Confidential For DISTEC Internal Use Only On 2017/05/11

9. PRECAUTIONS

Please pay attention to the followings when you use this TFT LCD module.

9-1 MOUNTING PRECAUTIONS

- (1) You must mount a module using holes arranged in four corners or four sides.
- (2) You should consider the mounting structure so that uneven force (ex. twisted stress) is not applied to module. And the case on which a module is mounted should have sufficient strength so that external force is not transmitted directly to the module.
- (3) Please attach the surface transparent protective plate to the surface in order to protect the polarizer. Transparent protective plate should have sufficient strength in order to resist external force.
- (4) You should adopt radiation structure to satisfy the temperature specification.
- (5) Acetic acid type and chlorine type materials for the cover case are not desirable because the former generates corrosive gas of attacking the polarizer at high temperature and the latter cause circuit broken by electro-chemical reaction.
- (6) Do not touch, push or rub the exposed polarizer with glass, tweezers or anything harder than HB pencil lead. And please do not rub with dust clothes with chemical treatment. Do not touch the surface of polarizer for bare hand or greasy cloth. (Some cosmetics are detrimental to the polarizer.)
- (7) When the surface becomes dusty, please wipe gently with absorbent cotton or other soft materials like chamois soaks with petroleum benzene. Normal-hexane is recommended for cleaning the adhesives used to attach front/ rear polarizer. Do not use acetone, toluene and alcohol because they cause chemical damage to the polarizer.
- (8) Wipe off saliva or water drops as soon as possible. Their long time contact with polarizer causes deformations and color fading.
- (9) Do not open the case because inside circuits do not have sufficient strength.

9-2 OPERATING PRECAUTIONS

- (1) The device listed in the product specification sheets was designed and manufactured for PID application
- (2) The spike noise causes the miss-operation of circuits. It should be lower than following voltage:
 $V = \pm 200\text{mV}$ (Over and under shoot voltage)
- (3) Response time depends on the temperature. (In lower temperature, it becomes longer..)
- (4) Brightness of LED depends on the temperature. (In lower temperature, it becomes lower.) And in lower temperature, response time (required time that brightness is stable after turned on) becomes longer.
- (5) Be careful for condensation at sudden temperature change. Condensation makes damage to polarizer or electrical contacted parts. And after fading condensation, smear or spot will occur.
- (6) When fixed patterns are displayed for a long time, remnant image is likely to occur.
- (7) Module has high frequency circuits. Sufficient suppression to the electromagnetic interference shall be done by system manufacturers. Grounding and shielding methods may be important to minimize

the interface.

9-3 Operating Condition for Public Information Display

The device listed in the product specification is designed and manufactured for PID (Public Information Display) application. To optimize module's lifetime and function, below operating usages are required.

(1) Normal operating condition

1. Operating temperature: 0~40°C
2. Operating humidity: 10~90%
3. Display pattern: dynamic pattern (Real display).

Note) Long-term static display would cause image sticking.

(2) Operation usage to protect against image sticking due to long-term static display.

(1) Suitable operating time: 20 hours a day or less.

(* The moving picture can be allowed for 24 hours a day)

- (2) Liquid Crystal refresh time is required. Cycling display between 5 minutes' information (static) display and 10 seconds' moving image.
- (3) Periodically change background and character (image) color.
- (4) Avoid combination of background and character with large different luminance.

(3) Periodically adopt one of the following actions after long time display.

- A. Running the screen saver (motion picture or black pattern)
- B. Power off the system for a while

(4) LCD system is required to place in well-ventilated environment. Adapting active cooling system is highly recommended.

(5) Product reliability and functions are only guaranteed when the product is used under right operation usages. If product will be used in extreme conditions, such as high temperature/ humidity, display stationary patterns, or long operation time etc..., it is strongly recommended to contact AUO for filed application engineering advice. Otherwise, its reliability and function may not be guaranteed. Extreme conditions are commonly found at airports, transit stations, banks, stock market and controlling systems.

9-4 Electrostatic Discharge Control

Since a module is composed of electronic circuits, it is not strong to electrostatic discharge. Make certain that treatment persons are connected to ground through wristband etc. And don't touch interface pin directly.

9-5 Precautions for Strong Light Exposure

Strong light exposure causes degradation of polarizer and color filter.

9-6 Storage

When storing modules as spares for a long time, the following precautions are necessary.

- (1) Store them in a dark place. Do not expose the module to sunlight or fluorescent light. Keep the temperature between 5□ and 35□ at normal humidity.
- (2) The polarizer surface should not come in contact with any other object. It is recommended that they

be stored in the container in which they were shipped.

- (3) Storage condition is guaranteed under packing conditions.
- (4) The phase transition of Liquid Crystal in the condition of the low or high storage temperature will be recovered when the LCD module returns to the normal condition.

9-7 Handling Precautions for Protection Film

- (1) The protection film is attached to the bezel with a small masking tape. When the protection film is peeled off, static electricity is generated between the film and polarizer. This should be peeled off slowly and carefully by people who are electrically grounded and with well ion-blown equipment or in such a condition, etc.
- (2) When the module with protection film attached is stored for a long time, sometimes there remains a very small amount of glue still on the bezel after the protection film is peeled off.
- (3) You can remove the glue easily. When the glue remains on the bezel or its vestige is recognized, please wipe them off with absorbent cotton waste or other soft material like chamois soaked with normal-hexane.

AUO Confidential For DISTEC Internal Use Only On 2017/05/11

Our company network supports you worldwide with offices in Germany, Austria, Switzerland, the UK and the USA. For more information please contact:

Headquarters

Germany



FORTEC Elektronik AG

Lechwiesenstr. 9
86899 Landsberg am Lech

Phone: +49 8191 91172-0
E-Mail: sales@forteca.de
Internet: www.forteca.de

Fortec Group Members

Austria



FORTEC Elektronik AG

Office Vienna

Nuschinggasse 12
1230 Wien

Phone: +43 1 8673492-0
E-Mail: office@fortec.at
Internet: www.fortec.at

Germany



Distec GmbH

Augsburger Str. 2b
82110 Germering

Phone: +49 89 894363-0
E-Mail: info@distec.de
Internet: www.distec.de

Switzerland



ALTRAC AG

Bahnhofstraße 3
5436 Würenlos

Phone: +41 44 7446111
E-Mail: info@altrac.ch
Internet: www.altrac.ch

United Kingdom



Display Technology Ltd.

Osprey House, 1 Osprey Court
Hichingbrooke Business Park
Huntingdon, Cambridgeshire, PE29 6FN

Phone: +44 1480 411600
E-Mail: info@displaytechnology.co.uk
Internet: www.displaytechnology.co.uk

USA



Apollo Display Technologies, Corp.

87 Raynor Avenue,
Unit 1 Ronkonkoma,
NY 11779

Phone: +1 631 5804360
E-Mail: info@apolloDisplays.com
Internet: www.apolloDisplays.com