
Datasheet

iBASE

AMS300

AMS301

AMS302

Fanless industrial Embedded BOX PC with 7th / 6th Gen. Intel® Core® i7/i5/i3 Prozessor

The information contained in this document has been carefully researched and is, to the best of our knowledge, accurate. However, we assume no liability for any product failures or damages, immediate or consequential, resulting from the use of the information provided herein. Our products are not intended for use in systems in which failures of product could result in personal injury. All trademarks mentioned herein are property of their respective owners. All specifications are subject to change without notice.



Features

- Compact fanless system with for IBASE MB300 customized board
- Supports 7th/6th Gen Intel® Core™ i7/i5/i3 processors
- 2MB MRAM module (optional)
- Front removable drive bay for HDD/SSD (supports RAID 0/1)
- 1x PCI-E(x8) + 1x PCI-E(x4) expansion slot
- Over/Under/Reverse voltage protection
- DIN-rail mount & Wall mount compatibility
- iSMART, iAMT (11.6)

Ordering Information

AMS302	Fanless system with MB300, w/ Intel® Core™ i7/i5/i3 Desktop processor, 2x COM, 2x 4GB memory, 1x 2.5" 64GB MLC industrial-grade SSD, 1x PCI-E(x8) + 1x PCI-E(x4) expansion slots, w/o power adaptor
--------	---

Recommended Processor list

Model	TDP	Base Freq	Turbo Freq	Cache	Cores / Threads
i7-7700T	35W	2.9 GHz	3.8 GHz	8M	4/8
i7-6700TE	35W	2.4 GHz	3.4 GHz	8M	4/8
i5-7500T	35W	2.7 GHz	3.3 GHz	6M	4/4
i5-6500TE	35W	2.3 GHz	3.3 GHz	6M	4/4
i3-7101TE	35W	3.4 GHz	N/A	3M	2/4
i3-6100TE	35W	2.7 GHz	N/A	4M	2/4
G4400TE	35W	2.9 GHz	N/A	3M	2/2
G3900TE	35W	2.6 GHz	N/A	2M	2/2

Specifications

System Mainboard	MB300 with Intel® Q170 PCH
CPU Type	7th/6th Gen Intel® Core™ i7/i5/i3 Desktop processors
System Speed	Up to 3.4GHz
Memory	2x DDR4-2133 SO-DIMM, Max. 32GB
Construction	Aluminum & steel
Chassis Color	Sliver
Front Panel External I/O	2x Antenna hole for WLAN module
Rear Panel External I/O	1x DVI-I + 1x DisplayPort connector 1x Audio jack for Line-out 4x USB 3.0 ports, 2x USB 2.0 ports 1x Red HDD LED, 1x green PWR LED 2x Error LED by programming 1x Power button 1x 2-pin terminal block for external power button 1x RS232/422/485 port for COM#1 1x RS232 port for COM#2 2x RJ45 Gigabit Ethernet port 1x 3-pin DC-in terminal block type for 24V
Expansion slots	1x Mini PCI-E sockets (full-sized) 1x PCI-E(x8) slot 1x PCI-E(x4) slot
Storage	2x 2.5" SSD + 1x mSATA socket
Mounting	Desktop or wall mounting (wall mount kit included) Side mounting DIN-rail mounting (optional)
Dimensions	275mm (W) x 140mm (D) x 117mm (H) 10.83" (W) x 5.51" (D) x 4.61" (H)
Operating Temperature	-10°C to 60°C (14°F~140°F)*With Air flow -10°C to 50°C (14°F to 122°F) without Air flow
Storage Temperature	-20°C to 80°C (-4°F to 176°F)
Relative Humidity	5~90% @ 45°C, (non-condensing)
Vibration	Non-Operating: 1.0 grms / 5~500Hz / random operation Operating: 0.25 grms / 5~500Hz / random operation
Certification	CE / LVD / FCC Class B

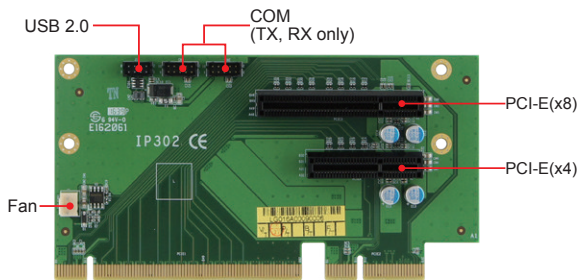
Compact size for material & cost reduction



Add-on card expansion slot

Expansion Cards

IP302



Flexible Mounting

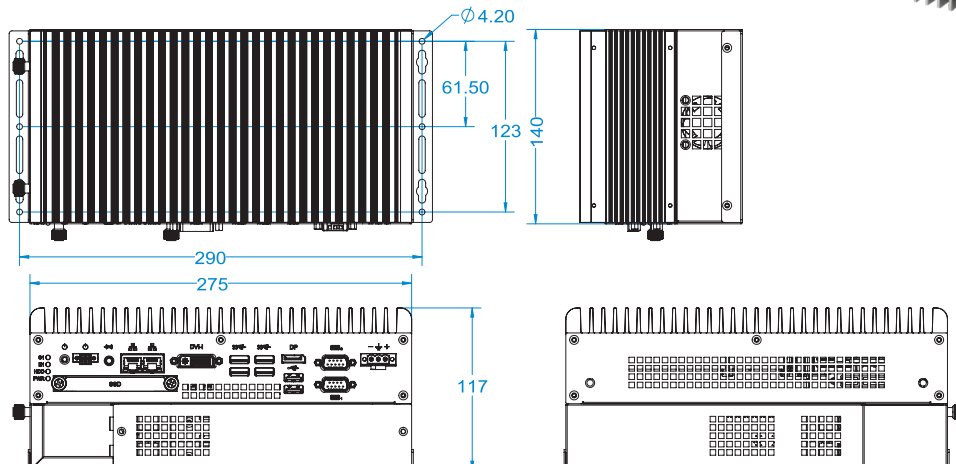
Side Mounting



DIN-rail Mounting



Dimensions and Drawing



1 Embedded Systems

2 CPU Modules

3 Disk-Size SBCs

4 Motherboards

5 CPU Cards



Features

- Compact fanless system with IBASE MB300 customized board
- Supports 7th/6th Gen Intel® Core™ i7/i5/i3 processors
- 2MB MRAM module (optional)
- Front removable drive bay for HDD/SSD (supports RAID 0/1)
- Supports different types of Fieldbus through expansion slot
- Over/Under/Reverse voltage protection
- DIN-rail mount & Wall mount compatibility
- iSMART, iAMT (11.6)

Specifications

System Mainboard	MB300 with Intel® Q170 PCH
CPU Type	7th/6th Gen Intel® Core™ i7/i5/i3 Desktop processors
System Speed	Up to 3.4GHz
Memory	2x DDR4-2133 SO-DIMM, Max. 32GB
Construction	Aluminum & steel
Chassis Color	Sliver
Front Panel External I/O	2x Antenna hole for WLAN module
Rear Panel External I/O	1x DVI-I + 1x DisplayPort connector 1x Audio jack for Line-out 4x USB 3.0 ports, 2x USB 2.0 ports 1x Red HDD LED, 1x green PWR LED 2x Error LED by programming 1x Power button 1x 2-pin terminal block for external power button 1x RS232/422/485 port for COM#1 1x RS232 port for COM#2 2x RJ45 Gigabit Ethernet port 1x 3-pin DC-in terminal block type for 24V 3x fieldbus module bracket
Expansion slots	4x Mini PCI-E sockets (full-sized)
Storage	2x 2.5" SSD + 1x mSATA socket
Mounting	Desktop or wall mounting (wall mount kit included) Side mounting DIN-rail mounting (optional)
Dimensions	275mm (W) x 140mm (D) x 117mm (H) 10.83" (W) x 5.51" (D) x 4.61" (H)
Operating Temperature	-10°C to 60°C (14°F~140°F)*With Air flow -10°C to 50°C (14°F to 122°F) without Air flow
Storage Temperature	-20°C to 80°C (-4°F to 176°F)
Relative Humidity	5~90% @ 45°C, (non-condensing)
Vibration	Non-Operating: 1.0 grms / 5~500Hz / random operation Operating: 0.25 grms / 5~500Hz / random operation
Certification	CE / LVD / FCC Class B

Ordering Information

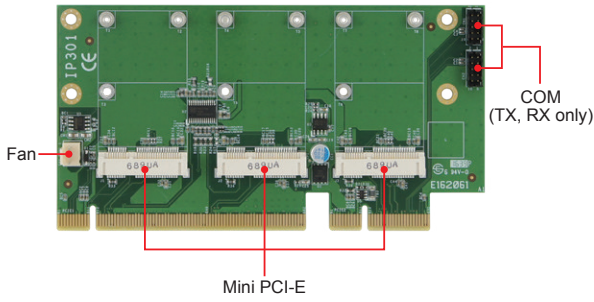
AMS301	Fanless system with MB300, w/ Intel® Core™ i7/i5/i3 Desktop processor, 2x COM, 2x 4GB memory, 1x 2.5" 64GB MLC industrial-grade SSD, 3x Mini PCI-E, w/o power adaptor
--------	---

Recommended Processor list

Model	TDP	Base Freq	Turbo Freq	Cache	Cores / Threads
i7-7700T	35W	2.9 GHz	3.8 GHz	8M	4/8
i7-6700TE	35W	2.4 GHz	3.4 GHz	8M	4/8
i5-7500T	35W	2.7 GHz	3.3 GHz	6M	4/4
i5-6500TE	35W	2.3 GHz	3.3 GHz	6M	4/4
i3-7101TE	35W	3.4 GHz	N/A	3M	2/4
i3-6100TE	35W	2.7 GHz	N/A	4M	2/4
G4400TE	35W	2.9 GHz	N/A	3M	2/2
G3900TE	35W	2.6 GHz	N/A	2M	2/2

Expansion Cards

IP301



Flexible Mounting

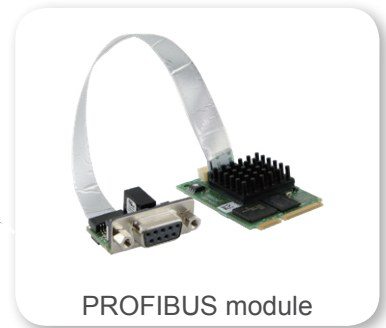
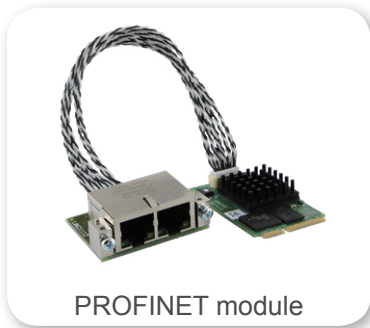
Side Mounting



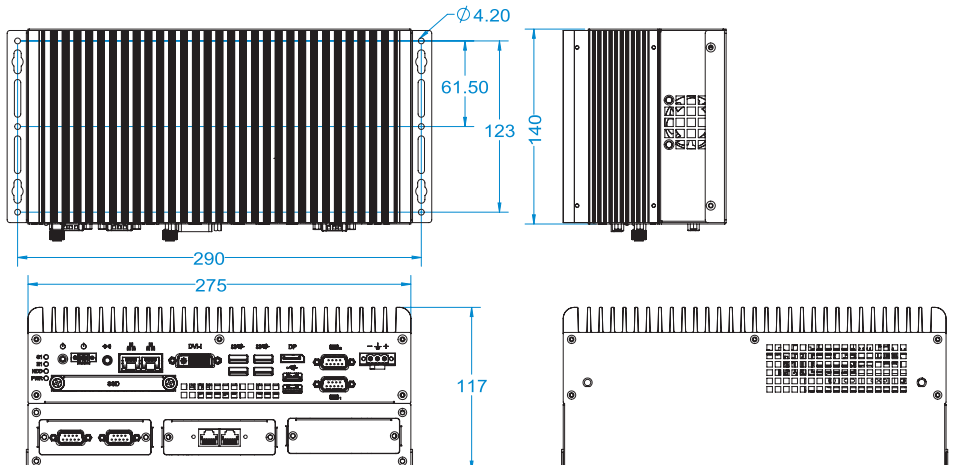
DIN-rail Mounting



Field Bus Adaptor thru Mini PCI-E



Dimensions and Drawing



1 Embedded Systems

2 CPU Modules

3 Disk-Size SBCs

4 Motherboards

5 CPU Cards



Features

- Compact fanless system with IBASE MB300 customized board
- Supports 7th/6th Gen Intel® Core™ i7/i5/i3 processors
- 2MB MRAM module (optional)
- Front removable drive bay for HDD/SSD (supports RAID 0/1)
- Over/Under/Reverse voltage protection
- iSMART, iAMT (11.6)

Specifications

System Mainboard	MB300 with Intel® Q170 PCH
CPU Type	7th/6th Gen Intel® Core™ i7/i5/i3 Desktop processors
System Speed	Up to 3.4GHz
Memory	2x DDR4-2133 SO-DIMM, Max. 32GB
Construction	Aluminum & steel
Chassis Color	Silver
Front Panel External I/O	2x Antenna hole for WLAN module
Rear Panel External I/O	1x DVI-I + 1x DisplayPort connector 1x Audio jack for Line-out 4x USB 3.0 ports, 2x USB 2.0 ports 1x Red HDD LED, 1x green PWR LED 2x Error LED by programming 1x Power button 1x 2-pin terminal block for external power button 1x RS232/422/485 port for COM#1 1x RS232 port for COM#2 2x RJ45 Gigabit Ethernet port 1x 3-pin DC-in terminal block type for 24V
Expansion slots	1x Mini PCI-E socket (full-sized)
Storage	1x 2.5" SSD + 1x mSATA socket
Mounting	Desktop or wall mounting (wall mount kit included) Side mounting DIN-rail mounting (optional)
Dimensions	275mm (W) x 140mm (D) x 70mm (H) 10.83" (W) x 5.51" (D) x 2.76" (H)
Operating Temperature	-10°C to 60°C (14°F~140°F)*With Air flow -10°C to 50°C (14°F to 122°F) without Air flow
Storage Temperature	-20°C to 80°C (-4°F to 176°F)
Relative Humidity	5~90% @ 45°C, (non-condensing)
Vibration	Non-Operating: 1.0 grms / 5~500Hz / random operation Operating: 0.25 grms / 5~500Hz / random operation
Certification	CE / LVD / FCC Class B

Ordering Information

AMS300	Fanless system with MB300, w/ Intel® Core™ i7/i5/i3 Desktop processor, 2x COM, 2x 4GB memory, 1x 2.5" 64GB MLC industrial-grade SSD, w/o power adaptor
--------	--

Recommended Processor list

Model	TDP	Base Freq	Turbo Freq	Cache	Cores / Threads
i7-7700T	35W	2.9 GHz	3.8 GHz	8M	4/8
i7-6700TE	35W	2.4 GHz	3.4 GHz	8M	4/8
i5-7500T	35W	2.7 GHz	3.3 GHz	6M	4/4
i5-6500TE	35W	2.3 GHz	3.3 GHz	6M	4/4
i3-7101TE	35W	3.4 GHz	N/A	3M	2/4
i3-6100TE	35W	2.7 GHz	N/A	4M	2/4
G4400TE	35W	2.9 GHz	N/A	3M	2/2
G3900TE	35W	2.6 GHz	N/A	2M	2/2

Features of New Automation Box PC

Based on 7th/6th Gen Intel® CPU (35W TDP)	Compact & Fanless	Onboard diagnostics LED
Supports different types of Fieldbus through expansion (AMS301)	2MB MRAM (Optional)	Front-accessible drive bay (support RAID 0/1)
Remote Power button for remote access	24V input voltage (power protection)	Wallmount, Desktop or DIN mounting

- 1 Embedded Systems
- 2 CPU Modules
- 3 Disk-Size SBCs
- 4 Motherboards
- 5 CPU Cards

Flexible Mounting

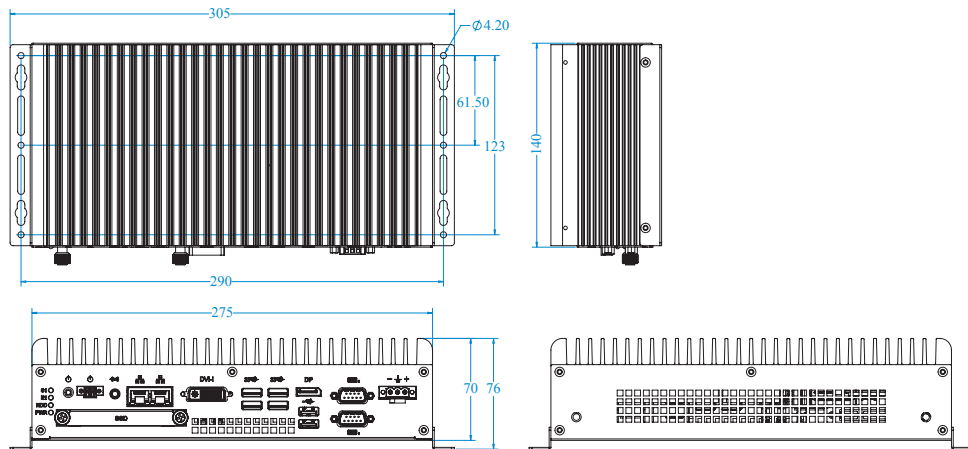
Side Mounting



DIN-rail Mounting



Dimensions and Drawing



Our company network supports you worldwide with offices in Germany, Austria, Switzerland, Great Britain and the USA. For more information please contact:

Headquarters

Germany



FORTEC Elektronik AG

Lechwiesenstr. 9
86899 Landsberg am Lech

Phone: +49 8191 91172-0
E-Mail: sales@fortecag.de
Internet: www.fortecag.de

Fortec Group Members

Austria



FORTEC Elektronik AG

Office Vienna

Nuschinggasse 12
1230 Wien

Phone: +43 1 8673492-0
E-Mail: office@fortec.at
Internet: www.fortec.at

Germany



Distec GmbH

Augsburger Str. 2b
82110 Germering

Phone: +49 89 894363-0
E-Mail: info@distec.de
Internet: www.distec.de

Switzerland



ALTRAC AG

Bahnhofstraße 3
5436 Würenlos

Phone: +41 44 7446111
E-Mail: info@altrac.ch
Internet: www.altrac.ch

United Kingdom



Display Technology Ltd.

5 The Oaks Business Village
Revenge Road, Lordswood
Chatham, Kent, ME5 8LF

Phone: +44 1634 672755
E-Mail: info@displaytechnology.co.uk
Internet: www.displaytechnology.co.uk

USA



Apollo Display Technologies, Corp.

87 Raynor Avenue,
Unit 1 Ronkonkoma,
NY 11779

Phone: +1 631 5804360
E-Mail: info@apolloDisplays.com
Internet: www.apolloDisplays.com