

# Datasheet

## Diamond Systems

### **Aries**

The information contained in this document has been carefully researched and is, to the best of our knowledge, accurate. However, we assume no liability for any product failures or damages, immediate or consequential, resulting from the use of the information provided herein. Our products are not intended for use in systems in which failures of product could result in personal injury. All trademarks mentioned herein are property of their respective owners. All specifications are subject to change without notice.

---



**The Perfect Fit for Imperfect Environments**  
Optimizing features, size & cost



you are not logged in:  
[login](#) | [signup](#)  
[lost password?](#)

[Products](#)   [Solutions](#)   [Markets](#)   [Support](#)   [About Us](#)   [Sales](#)

- By Function
- By Form Factor
- SBCs**
- COM-based SBCs
- Analog I/O
- Digital I/O
- Serial I/O
- Ethernet I/O
- Ethernet Switches
- CAN I/O
- Power Supplies
- Systems
- Enclosures
- Mass Storage
- Accessories
- Software
- Customization

**Whitepapers**

- Conduction Cooling for Stackable SBCs
- COM-based SBC Benefits
- Benefits of Autocalibration
- EmbeddedXpress Form Factor

**Application Articles**

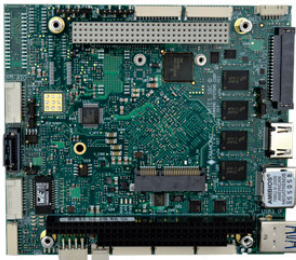
- Building Automation
- Paper Processing
- Train Controller
- Wind Instrument
- Lung Simulator
- Gas Analyzer
- Weapon System

Visit our [Markets & Applications](#) page.

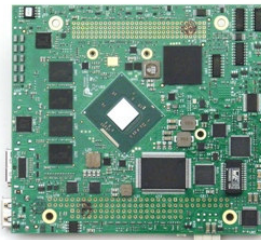
[Products](#) > [Processor Modules](#) > [Single Board Computers](#) > [Aries PC/104-Plus SBC](#)

**Aries PC/104-Plus SBC**

PC/104-Plus SBC with Intel E3800 CPU & On-Board Data Acquisition  
The Best PC/104 Bay Trail SBC in the World



Top Side



Bottom Side (heat spreader removed to show components)

**Description**

The **Aries PC/104-Plus** single board computer from Diamond Systems uses the Intel™ "Bay Trail" E3800 series processor to deliver an unmatched combination of performance, price and power consumption. Packed with real-world features, Aries provides a complete solution for most embedded applications in a single board, saving you space, time, and money.

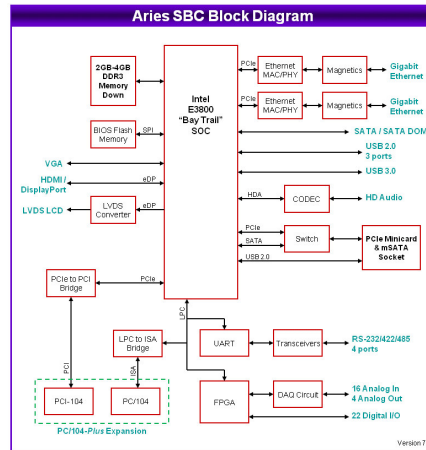
Aries goes beyond the standard processor and I/O features found on other Bay Trail SBCs to provide rugged performance along with a professional-quality data acquisition circuit supported by industry-leading software. The full rectangular shape of Aries provides more PCB area and coastline to support the extreme level of I/O offered by the board.

**Overview**   **I/O Features**   **Rugged Features**   **Data Acquisition**   **Specifications**

The Aries SBC family features the Intel E3800 "Bay Trail" processor family for high performance, low power consumption, and competitive pricing. Aries offers 2-4 times higher CPU performance over other SBCs with similar size, power consumption, and price. Key features include:

- ◆ Choice of quad core E3845 1.91GHz or dual core E3826 1.46GHz processor
- ◆ 2 or 4GB memory soldered on board
- ◆ Dual independent display, selectable from VGA, LVDS LCD, and HDMI / DisplayPort
- ◆ A broad range of system I/O, including 4 multiprotocol serial ports, 3 USB ports, 2 10/100/1000 Ethernet ports, and 1 SATA port
- ◆ Integrated HD Audio
- ◆ PC/104-Plus and PCIe MiniCard / mSATA sockets
- ◆ Optional integrated professional quality 16-bit data acquisition
- ◆ Conduction cooling for improved reliability and high temperature performance
- ◆ Rugged construction throughout for shock and vibration immunity
- ◆ Compact 4.5" x 4.0" size
- ◆ -40°C to +85°C operation off the shelf
- ◆ Operating systems support for Windows 7 / XP and Linux 2.6 / 3.2 kernels

**Block Diagram**



**Display Features**

Aries supports dual simultaneous independent displays, selecting from VGA, LVDS LCD, and either HDMI or DisplayPort. (Both HDMI and DisplayPort are supported on board, however only one of these can be used at a time.)

The LVDS connection is dual channel 24-bit. The maximum resolution of VGA, LVDS and DisplayPort is 2560 x 1600. The HDMI maximum resolution is 1920 x 1080.

Backlight power and control are provided on board. LCD power is jumper selectable between 3.3V and 5V, and backlight power is jumper selectable between 5V and 12V. If needed, 12V must be provided by the system power supply and is routed through the board from the input power connector to the backlight connector.

**I/O Expansion**

Aries provides both a PC/104-Plus expansion socket and a combination PCIe MiniCard / mSATA module socket. The combination socket auto-selects for either PCIe or mSATA depending on the type of module installed. Aries supports Diamond's complete line of **PCIe MiniCards**.

The SBC also supports the installation of a SATA disk-on-module with a mounting hole for increased ruggedness. A jumper provides power directly to the module through the single SATA connector; no separate power cable is required. Both the SATA DOM and PCIe MiniCard sockets can be used simultaneously, affording a highly compact and feature-rich embedded computing solution only one "board" high.

**Available Models**

Four standard models are available depending on your need for performance and data acquisition. Other configurations are available by special order with a minimum order quantity.

| Model | Processor /Speed | Memory | Data Acquisition |
|-------|------------------|--------|------------------|
|-------|------------------|--------|------------------|

**FEATURES**

- ◆ 1.91GHz Intel quad core E3845 or 1.46GHz Intel dual core E3826 CPU
- ◆ 2GB or 4GB on-board 64-bit DDR3 SDRAM
- ◆ I/O connectors for a wide range of interfaces:
  - 2 Gigabit Ethernet ports
  - 1 SATA port
  - 3 USB 2.0 & 1 USB 3.0 ports
  - 4 RS-232/422/485 serial ports
  - VGA, LVDS, DisplayPort or HDMI video output
  - HD Audio
- ◆ On-board data acquisition circuit:
  - 16-bit analog inputs
  - 4 16-bit analog outputs
  - 22 digital I/O lines
  - PWMs
  - Counter/timers
- ◆ Waveform generator
- ◆ On-board mSATA flashdisk socket supports up to 64GB
- ◆ Watchdog timer
- ◆ +5VDC input power
- ◆ System expansion:
  - PC/104-Plus stackable I/O
  - PCIe MiniCard socket
- ◆ PC/104-Plus form factor
- ◆ Operating temperature range of -40°C to +85°C

**ACCESSORIES**

Customers who use this product also use:

- ◆ **DS-MPE-DAQ0804 Analog I/O Module**
- ◆ **DS-MPE-CAN2L CANbus Module**
- ◆ **DS-MPE-GE210 Gigabit Ethernet Module**
- ◆ **DS-MPE-SER4M Serial Module**
- ◆ **DS-MPE-SER4OPT Opto Serial Module**
- ◆ **DS-MPE-GPIO Digital I/O Module**

This product can be **customized** and **ruggedized**. [Click here](#) for more information.

**ONLINE SUPPORT**

- ◆ [See Aries PC/104-Plus SBC Technical Resources](#)
- ◆ [Request Product information](#)
- ◆ [Request Technical Support](#)

**DOWNLOADS**

- ◆ [Aries Linux BSP User Manual \(.pdf, 3.3 MB\)](#)
- ◆ [Aries User Manual \(.pdf, 1.8 MB\)](#)
- ◆ [Aries WE7 BSP User Manual \(.pdf, 1.7 MB\)](#)
- ◆ [Aries Universal Driver User Manual \(.pdf, 1.4 MB\)](#)
- ◆ [Aries 3D STP file \(.stp, 44.7 MB\)](#)
- ◆ [Aries Audio Driver for Windows \(.zip, 192.2 MB\)](#)
- ◆ [Aries 32-bit Ethernet Driver for Windows 7 \(.zip, 21.1 MB\)](#)
- ◆ [Aries 32-bit Ethernet Driver for Windows 8 \(0.0 kb\)](#)
- ◆ [Aries 64-bit Ethernet Driver for Windows 8 \(.rar, 28.6 MB\)](#)
- ◆ [Aries 32-bit Graphics Driver for Windows 7 \(.zip, 36.7 MB\)](#)
- ◆ [Aries Ethernet Driver for Linux \(.zip, 296.6 kb\)](#)
- ◆ [Aries 64-bit Ethernet Driver for Windows 7 \(.zip, 31.6 MB\)](#)
- ◆ [Aries Drivers for Windows 8.1 \(.zip, 145.5 MB\)](#)
- ◆ [Aries Chipset Drivers for Windows \(.zip, 2.3 MB\)](#)
- ◆ [Aries 64-bit Graphics Driver for Windows 7 \(.zip, 110.3 MB\)](#)
- ◆ [Aries 64-bit IO Driver for Windows 7 \(.zip, 9.1 MB\)](#)
- ◆ [Aries USB3.0 Driver for Windows 7 \(.zip, 8.8 MB\)](#)
- ◆ [Aries 32-bit IO Driver for Windows 7 \(.zip, 8.2 MB\)](#)
- ◆ [Aries LVDS Configuration Utility \(.zip, 1.1 MB\)](#)

|             |               |          |     |
|-------------|---------------|----------|-----|
| ARS3845-4GA | E3845/1.91GHz | 4GB DDR3 | Yes |
| ARS3845-4GN | E3845/1.91GHz | 4GB DDR3 | No  |
| ARS3826-2GA | E3826/1.46GHz | 2GB DDR3 | Yes |
| ARS3826-2GN | E3826/1.46GHz | 2GB DDR3 | No  |

#### ◆ Development Kits

Aries Development Kits, DK-ARS-LNX or DK-ARS-WE7, are available with all the components you need to get started on your embedded design. Each kit contains an Aries SBC with 1.91GHz E3845 CPU, 4GB DRAM, integrated data acquisition, 32GB MLC SATA DOM flashdisk with bootable operating system, cable kit (CK-ARS-01), and Quick Start Guide.



| Model Number | Description  |
|--------------|--|
| ARS3845-4GA  | Aries SBC, 1.91GHz E3845 CPU, 4GB DRAM, data acquisition           |
| 6710613      | 32GB MLC SATA DOM flashdisk with operating system image pre-loaded |
| CK-ARS-01    | Cable Kit  |
| 7480613      | Quick Start Guide  |

#### ◆ Aries Cable Kit

The Aries cable kit, CK-ARS-01, includes cables for all I/O connectors except LCD, HDMI, and DisplayPort.



| Number | Qty | Cable   | Description       |
|--------|-----|---------|-------------------|
| 1      | 2   | 6980500 | Dual serial cable |
| 2      | 1   | 6980501 | Digital I/O cable |
| 3      | 1   | 6980503 | Dual USB cable    |
| 4      | 1   | 6981504 | Analog I/O cable  |
| 5      | 1   | 6980507 | VGA cable         |
| 6      | 1   | 6980508 | Audio cable       |
| 7      | 1   | 6980514 | Utility cable     |
| 8      | 1   | 6980511 | Battery cable     |
| 9      | 1   | 6980512 | Power cable       |
| 10     | 1   | 6980513 | Ethernet cable    |
| 11     | 1   | 6989101 | SATA cable        |

[top](#)

#### ◆ Get An Online Quote

##### Aries PC/104-Plus SBC

available models:

|                       |  |
|-----------------------|--|
| <b>ARS3845-4GA</b>    | Aries SBC, 1.91GHz E3845 CPU, 4GB DDR3 SDRAM, analog I/O & digital I/O       |
| <b>ARS3845-4GN</b>    | Aries SBC, 1.91GHz E3845 CPU, 4GB DDR3 SDRAM, digital I/O                    |
| <b>ARS3826-2GA</b>    | Aries SBC, 1.46GHz E3826 CPU, 2GB DDR3 SDRAM, analog I/O & digital I/O       |
| <b>ARS3826-2GN</b>    | Aries SBC, 1.46GHz E3826 CPU, 2GB DDR3 SDRAM, digital I/O                    |
| <b>DK-ARS-WE7</b>     | Aries Development Kit with ARS3845-4GA SBC, cables and Windows Embedded 7 OS |
| <b>DK-ARS-LNX</b>     | Aries Development Kit with ARS3845-4GA SBC, cables and Linux OS              |
| <b>SDK-ARS-WE7</b>    | Aries Windows Embedded 7 Software Development Kit                            |
| <b>SDK-ARS-LNX</b>    | Aries Linux Software Development Kit   |
| <b>CK-ARS-01</b>      | Aries Cable Kit  |
| <b>ACC-HS104-12.7</b> | Heat Sink Accessory  |

Please login or sign up for an online quote request.

##### Cables and accessories

available models:

|                    |  |
|--------------------|--|
| <b>FDSM-64G-XT</b> | SATA DOM MLC Flashdisk, 64GB, extended temperature |
|--------------------|--|

**FDSM-32G-XT** SATA DOM MLC Flashdisk, 32GB, extended temperature  
**FDMS-8G-XT** mSATA SLC Flashdisk, 8GB, extended temperature  
**FDSS-64G-XT** SATA DOM SLC Flashdisk, 64GB, extended temperature  
**FDSS-32G-XT** SATA DOM SLC Flashdisk, 32GB, extended temperature  
**FDMM-64G-XT** mSATA MLC Flashdisk, 64GB, extended temperature  
**FDMM-32G-XT** mSATA MLC Flashdisk, 32GB, extended temperature  
**FDMM-16G-XT** mSATA MLC Flashdisk, 16GB, extended temperature  
**FDMS-64G-XT** mSATA SLC Flashdisk, 64GB, extended temperature  
**FDMS-32G-XT** mSATA SLC Flashdisk, 32GB, extended temperature  
**FDMS-16G-XT** mSATA SLC Flashdisk, 16GB, extended temperature  
**Please login or signup for an online quote request.**

All trademarks are the property of their respective owners.

[Home](#) | [Search](#) | [Sitemap](#) | [Privacy](#) | [About Us](#) | [Contact Us](#) | [Email Us](#)

Copyright© Diamond Systems Corporation 2001-2017. All rights reserved.

Our company network supports you worldwide with offices in Germany, Great Britain, Turkey and the USA.  
For more information please contact:



## DATA DISPLAY GROUP

A **FORTEC** GROUP MEMBER

### **Distec GmbH**

Augsburger Str. 2b  
82110 Germering  
Germany

Phone: +49 (0)89 / 89 43 63-0  
Fax: +49 (0)89 / 89 43 63-131  
E-Mail: [info@datadisplay-group.de](mailto:info@datadisplay-group.de)  
Internet: [www.datadisplay-group.de](http://www.datadisplay-group.de)

### **Display Technology Ltd.**

5 The Oaks Business Village  
Revenge Road, Lordswood  
Chatham, Kent, ME5 8LF  
United Kingdom  
Phone: +44 (0)1634 / 67 27 55  
Fax: +44 (0)1634 / 67 27 54  
E-Mail: [info@displaytechnology.co.uk](mailto:info@displaytechnology.co.uk)  
Internet: [www.datadisplay-group.com](http://www.datadisplay-group.com)

### **Sales Partner:**

### **DATA DISPLAY BİLİŞİM TEKNOLOJİLERİ İÇ VE DIŞ TİCARET LİMİTED ŞİRKETİ**

Barbaros Mh. Ak Zambak Sk. A Blok D:143  
34376 Ataşehir / Istanbul  
Turkey  
Phone: +90 (0)216 / 688 04 68  
Fax: +90 (0)216 / 688 04 69  
E-Mail: [info@data-display.com.tr](mailto:info@data-display.com.tr)  
Internet: [www.data-display.com.tr](http://www.data-display.com.tr)

### **FORTEC Elektronik AG**

Lechwiesenstr. 9  
86899 Landsberg am Lech  
Germany

Phone: +49 (0)8191 / 911 72-0  
Fax: +49 (0)8191 / 217 70  
E-Mail: [sales@fortecag.de](mailto:sales@fortecag.de)  
Internet: [www.fortecag.de](http://www.fortecag.de)

### **Apollo Display Technologies, Corp.**

87 Raynor Avenue,  
Unit 1 Ronkonkoma,  
NY 11779  
United States of America  
Phone: +1 631 / 580-43 60  
Fax: +1 631 / 580-43 70  
E-Mail: [info@apolloDisplays.com](mailto:info@apolloDisplays.com)  
Internet: [www.apolloDisplays.com](http://www.apolloDisplays.com)