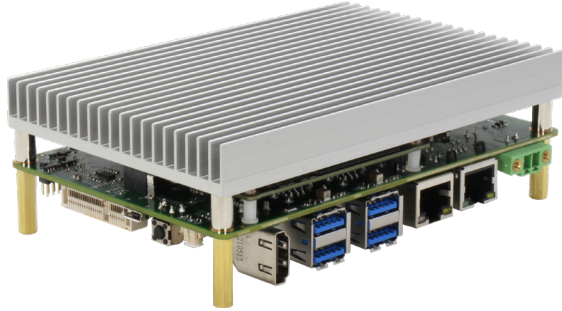


BOXER-8222AI-KIT

AI@Edge development system powered by the NVIDIA Jetson Nano™ module



Features

- NVIDIA Jetson Nano™
- PoE/PD x 1
- 4GB LPDDR4 + 16GB eMMC
- USB 3.2 Gen 1 x 4
- M.2 E-key slot x 1 for WiFi function expansion
- DC 12 ~ 24V wide voltage power input

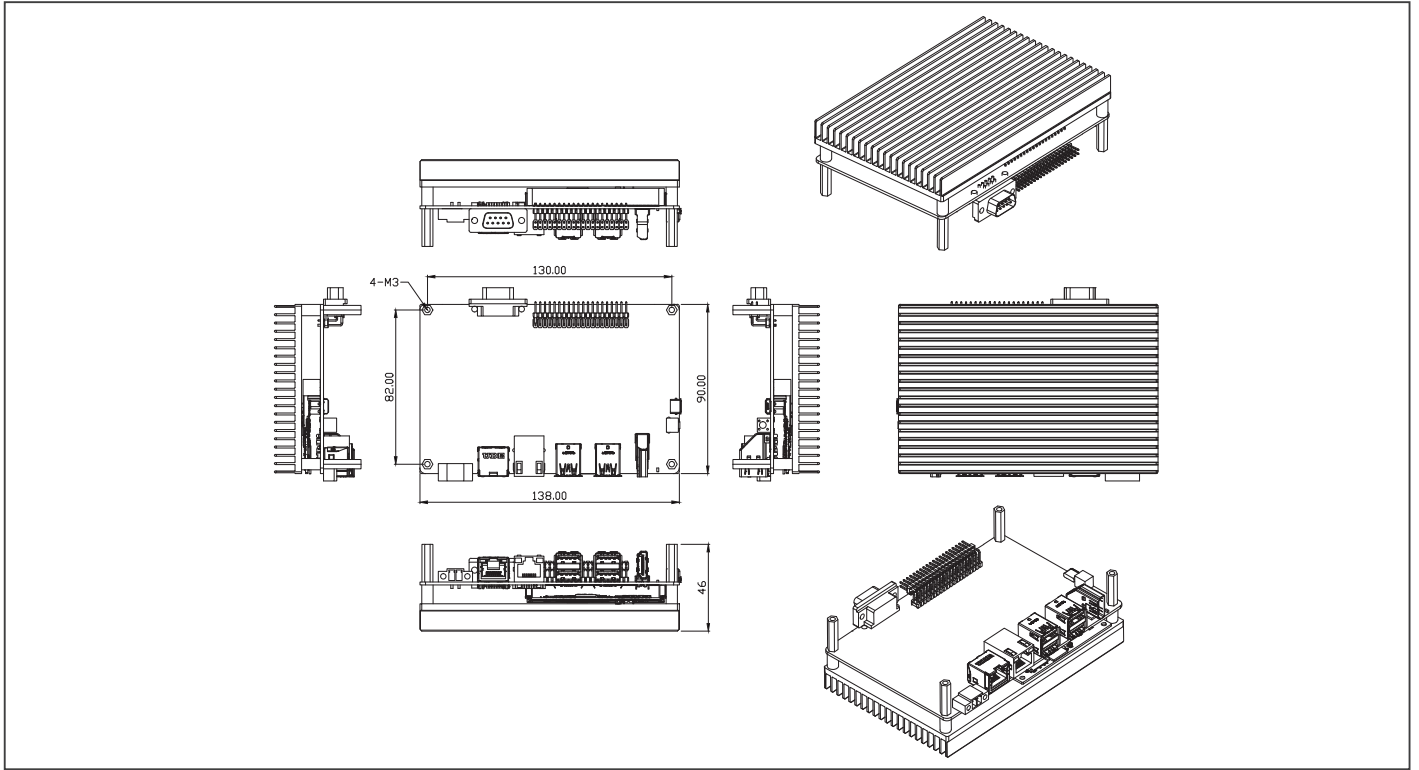


Specifications

System	
AI Accelerator	NVIDIA Jetson Nano™
CPU	Quad Core ARM® Cortex®-A57 MPCore Processor
System Memory	4GB LPDDR4
Storage Device	16 GB eMMC Mini-Card (Full Size) x 1 (PCIe+SATA+USB)
Display Interface	HDMI 2.0 x 1
Ethernet	10/100/1000Base-TX x 2
I/O	USB 3.2 Gen 1 x 4 LAN x 1 PD x1 (Powered Device) 40-pin I/O x 1 (GPIO/I2S/I2C/Audio/SPI/UART) RS-232 x 1 HDMI x 1 Mico-USB x 1 for Flash OS DC Power Input x 1 Recovery Button x 1 Micro-USB for Flash OS x 1
Expansion	Antenna x 2 M.2 2230 E Key x 1 (for Wi-Fi)
Indicator	Power LED x 1
OS Support	Jetpack 4.5 and above
Power Supply	
Power Requirement	DC 12V~24V 2-pin terminal

Dimension

Unit: mm



Packing List

- Power Connector x 1
- BOXER-8222AI-JP46E-KIT-A1-1111 x 1

Optional Accessories

- 1255300611
60W Power Adapter
- 1702031802
Power Cord (US type)
- 1702031803
Power Cord (European Type)
- 170203180E
Power Cord (Japanese Type)