

# Datasheet

## COMe-bBD6

### Kontron

Our company network supports you worldwide with offices in Germany, Austria, Switzerland, Great Britain and the USA. For more information please contact:

**FORTEC Elektronik AG**

Hauptniederlassung  
Lechwiesenstr. 9  
86899 Landsberg am Lech

Telefon: +49 (0) 8191 91172-0  
Telefax: +49 (0) 8191 21770  
E-Mail: [sales@fortecag.de](mailto:sales@fortecag.de)  
Internet: [www.fortecag.de](http://www.fortecag.de)

**FORTEC Elektronik AG**

Büro West  
Hohenstaufenring 55  
50674 Köln

Telefon: +49 (0) 221 272 273-0  
Telefax: +49 (0) 221 272 273-10  
E-Mail: [west@fortecag.de](mailto:west@fortecag.de)  
Internet: [www.fortecag.de](http://www.fortecag.de)

**FORTEC Elektronik AG**

Büro Wien  
Nuschinggasse 12  
A-1230 Wien

Telefon: +43 1 8673492-0  
Telefax: +43 1 8673492-26  
E-Mail: [office@fortec.at](mailto:office@fortec.at)  
Internet: [www.fortec.at](http://www.fortec.at)

**ALTRAC AG**

(Tochter der FORTEC):  
Bahnhofstraße 3  
CH-5436 Würenlos

Telefon: +41 (0) 44 7446111  
Telefax: +41 (0) 44 7446161  
E-Mail: [info@altrac.ch](mailto:info@altrac.ch)  
Internet: [www.altrac.ch](http://www.altrac.ch)

The information contained in this document has been carefully researched and is, to the best of our knowledge, accurate. However, we assume no liability for any product failures or damages, immediate or consequential, resulting from the use of the information provided herein. Our products are not intended for use in systems in which failures of product could result in personal injury. All trademarks mentioned herein are property of their respective owners. All specifications are subject to change without notice.

---

# COMe-bBD6

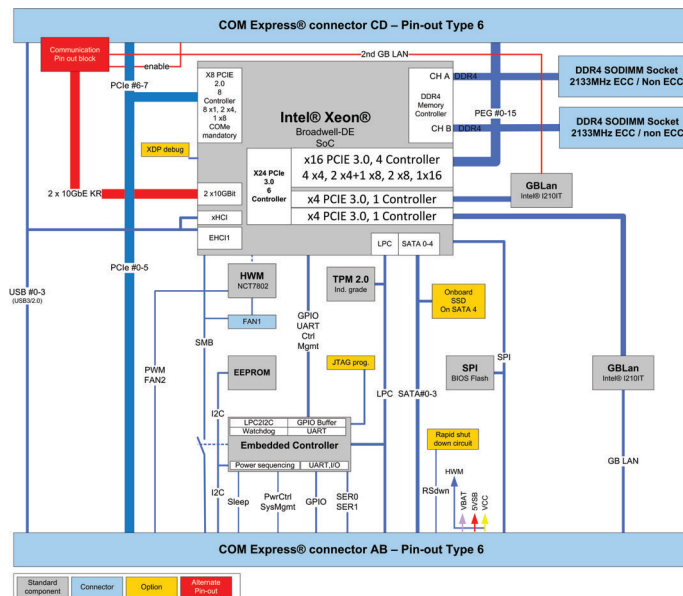


## COM Express® BASIC TYPE 6 WITH Intel® Xeon® PROCESSOR D-1500

- ▶ Intel® Xeon® Processor D-1500 SoC, newest member of the Intel® Xeon® Processor family
- ▶ DDR4 memory technology up to 32 GByte ECC, 2x SODIMMs
- ▶ high-speed connectivity x16 PCIe 3.0 + x8 PCIe2.0, Dual 10GbE interfaces (option)

## TECHNICAL INFORMATION

COMPLIANCE	COM Express® Basic, Pin-out Type 6 compatible
DIMENSIONS (H x W x D)	95 x 125mm
CPU (SoC)	Intel® Xeon® Processor D-1548, 8 C, 2.0 GHz, 12 MByte, 45 W, Intel® Xeon® Processor D-1537, 8 C, 1.7 GHz, 12 MByte, 35 W, Intel® Xeon® Processor D-1528, 6 C, 1.9 GHz, 9 MByte, 35 W, Intel® Xeon® Processor D-1527, 4 C, 2.2 GHz, 6 MByte, 35 W, Intel® Pentium® Processor D-1517, 4 C, 1.6 GHz, 6 MByte, 25 W, Intel® Pentium® Processor D-1508, 2 C, 2.2 GHz, 3 MByte, 25 W, Intel® Xeon® Processor D-1518, 4 C, 2.2 GHz, 6 MByte, 35 W, no dual 10GbE KR
MAIN MEMORY	2x DDR4 SODIMM dual channel up to 32 GByte ECC or non ECC
ETHERNET CONTROLLER	Intel® I210IT
ETHERNET	1x 10/100/1000 MBit Ethernet Special Communication interface block (alternate pin out, not standardized) 2nd 10/100/1000 MBit Ethernet, Intel I210IT Dual 10GbE Interface (KR) integrated in SoC
HARD DISK	4x SATA3, 6Gb/s
FLASH ONBOARD	SATA SSD up to 32 GByte (option)
PCI Express®/ PCI SUPPORT	16x PCIe 3.0 (4 controllers, x16, x8, x4, x1 operation) + 8x PCIe2.0 (8 controllers, x8, x4, x1 configuration)
USB	4x USB 3.0/2.0
SERIAL	2x serial interface (RX/TX only)
COMMON FEATURES	SPI, LPC, SMB, Fast I <sup>2</sup> C, Staged Watchdog, RTC, MARS
BIOS	AMI UEFI
HUMIDITY	93 % relative Humidity at 40 °C, non-condensing (according to IEC 60068-2-78)
OPTIONS	Onboard SATA SSD up to 32 GByte SLC
POWER MANAGEMENT	ACPI 4.0, S5 Eco
POWER SUPPLY	ATX, 8.5 V – 20 V Wide Range, Single Supply Power
SPECIAL FEATURES/ SECURITY	TPM 2.0, INFINEON SLB9665XQ2.0
SPECIFICATIONS	Commercial grade Version Temperature 0 - 60 °C, Industrial grade Versions -40 °C to +85 °C
OPERATING SYSTEMS	Linux, Windows Server 2008 R2 SP1 / 2012, /2012 R2 Windows 7 and 8.1, VxWorks 7.x
TEMPERATURE	Commercial Temperature 0 - 60 °C Industrial temperature -40 °C to +85 °C (specified SKUs only)
SUPPORTED MODULES	68002-xxxx-xx-x commercial grade 68003-xxxx-xx-x industrial grade (specified SKUs only)



## CORPORATE OFFICES

### EUROPE, MIDDLE EAST & AFRICA

Lise-Meitner-Str. 3-5  
86156 Augsburg  
Germany  
Tel.: +49 821 4086 0  
Fax: +49 821 4086 111  
info@kontron.com

### NORTH AMERICA

14118 Stowe Drive  
Poway, CA 92064-7147  
USA  
Tel.: +1 888 294 4558  
Fax: +1 858 677 0898  
info@us.kontron.com

### ASIA PACIFIC

1-2F, 10 Building, No. 8 Liangshuihe 2nd Street,  
Economical & Technological Development Zone,  
Beijing, 100176, P.R.China  
Tel.: +86 10 63751188  
Fax: +86 10 83682438  
info@kontron.cn

# FORTEC

ELEKTRONIK AG

Our company network supports you worldwide with offices in Germany, Austria, Switzerland, Great Britain and the USA. For more information please contact:

**FORTEC Elektronik AG**

Hauptniederlassung  
Lechwiesenstr. 9  
86899 Landsberg am Lech

Telefon: +49 (0) 8191 91172-0  
Telefax: +49 (0) 8191 21770  
E-Mail: [sales@fortecag.de](mailto:sales@fortecag.de)  
Internet: [www.fortecag.de](http://www.fortecag.de)

**FORTEC Elektronik AG**

Büro West  
Hohenstaufenring 55  
50674 Köln

Telefon: +49 (0) 221 272 273-0  
Telefax: +49 (0) 221 272 273-10  
E-Mail: [west@fortecag.de](mailto:west@fortecag.de)  
Internet: [www.fortecag.de](http://www.fortecag.de)

**FORTEC Elektronik AG**

Büro Wien  
Nuschinggasse 12  
A-1230 Wien

Telefon: +43 1 8673492-0  
Telefax: +43 1 8673492-26  
E-Mail: [office@fortec.at](mailto:office@fortec.at)  
Internet: [www.fortec.at](http://www.fortec.at)

**ALTRAC AG**

(Tochter der Fortec AG):  
Bahnhofstraße 3  
CH-5436 Würenlos

Telefon: +41 (0) 44 7446111  
Telefax: +41 (0) 44 7446161  
E-Mail: [info@altrac.ch](mailto:info@altrac.ch)  
Internet: [www.altrac.ch](http://www.altrac.ch)

Members of the FORTEC Group:

