

Datasheet

COMe-bBD7

Kontron

Our company network supports you worldwide with offices in Germany, Austria, Switzerland, Great Britain and the USA. For more information please contact:

FORTEC Elektronik AG

Hauptniederlassung
Lechwiesenstr. 9
86899 Landsberg am Lech

Telefon: +49 (0) 8191 91172-0
Telefax: +49 (0) 8191 21770
E-Mail: sales@fortecag.de
Internet: www.fortecag.de

FORTEC Elektronik AG

Büro West
Hohenstaufenring 55
50674 Köln

Telefon: +49 (0) 221 272 273-0
Telefax: +49 (0) 221 272 273-10
E-Mail: west@fortecag.de
Internet: www.fortecag.de

FORTEC Elektronik AG

Büro Wien
Nuschinggasse 12
A-1230 Wien

Telefon: +43 1 8673492-0
Telefax: +43 1 8673492-26
E-Mail: office@fortec.at
Internet: www.fortec.at

ALTRAC AG

(Tochter der FORTEC):
Bahnhofstraße 3
CH-5436 Würenlos

Telefon: +41 (0) 44 7446111
Telefax: +41 (0) 44 7446161
E-Mail: info@altrac.ch
Internet: www.altrac.ch

The information contained in this document has been carefully researched and is, to the best of our knowledge, accurate. However, we assume no liability for any product failures or damages, immediate or consequential, resulting from the use of the information provided herein. Our products are not intended for use in systems in which failures of product could result in personal injury. All trademarks mentioned herein are property of their respective owners. All specifications are subject to change without notice.

COMe-bBD7

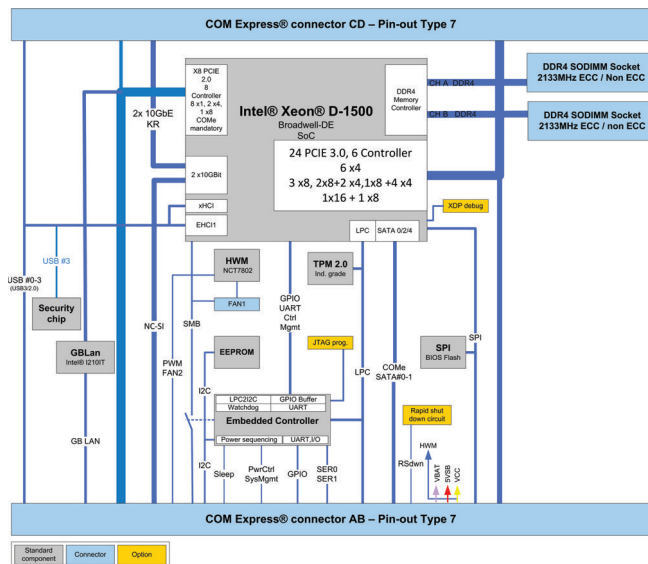


COM Express® BASIC TYPE 7 WITH Intel® Xeon® PROCESSOR D-1500

- ▶ Intel® Xeon® Processor D-1500 SoC, newest member of the Intel® Xeon® Processor family
- ▶ dual 10 GbE interfaces
- ▶ high-speed connectivity x24 PCIe 3.0 + x8 PCIe 2.0, SATA3, USB 3.0
- ▶ support of Kontron's Embedded Security Solution (Approtect)

TECHNICAL INFORMATION

COMPLIANCE	COM Express® Basic, Pin-out Type 7 compatible
DIMENSIONS (H x W x D)	95 x 125 mm
CPU (SoC)	Intel® Xeon® Processor D-1548, 8 C, 2.0 GHz, 12 MByte, 45 W, Intel® Xeon® Processor D-1537, 8 C, 1.7 GHz, 12 MByte, 35 W, Intel® Xeon® Processor D-1528, 6 C, 1.9 GHz, 9 MByte, 35 W, Intel® Xeon® Processor D-1527, 4 C, 2.2 GHz, 6 MByte, 35 W, Intel® Xeon® Processor D-1517, 4 C, 1.6 GHz, 6 MByte, 25 W, Intel® Pentium® Processor D-1508, 2 C, 2.2 GHz, 6 MByte, 25 W, Intel® Pentium® Processor D1519, 4 C, 1.6 GHz, 6 MByte, 25 W, ind. Temp Intel® Xeon® Processor D-1539, 8 C, 1.6 GHz, 12 MByte, 35 W, ind. Temp Intel® Xeon® Processor D-1559, 12 C, 1.5 GHz, 18 MByte, 45 W, ind. Temp
MAIN MEMORY	2x DDR4 SODIMM dual channel up to 32 GByte ECC or non ECC
ETHERNET CONTROLLER	Intel® I210IT (uses one lane of PCIe 2.0) Intel® Dual 10GbE LAN integrated in SoC
ETHERNET	1x 10/100/1000 MBit Ethernet Dual 10GbE Interface (KR) and NC-SI on type 7 pin out
HARD DISK	2x SATA3, 6Gb/s
FLASH ONBOARD	SATA SSD up to 32 GByte (option), tbd.
PCI Express® / PCI SUPPORT	24x PCIe 3.0 (6 controllers, x16, x8, x4, x1 operation) 8x PCIe 2.0 (8 controllers, x8, x4, x1 configuration), one lane used bay onboard 1 GbE LAN controller
USB	4x USB 3.0/2.0
SERIAL	2x serial interface (RX/TX only)
COMMON FEATURES	SPI, LPC, SMB, Fast I ² C, Staged Watchdog, RTC, MARS
BIOS	AMI UEFI
HUMIDITY	93 % relative Humidity at 40° C, non-condensing (according to IEC 60068-2-78)
OPTIONS	Onboard SATA SSD up to 32 GByte SLC, tbd.
POWER MANAGEMENT	ACPI 4.0, S5 Eco
POWER SUPPLY	ATX, 8.5 V – 20 V Wide Range, Single Supply Power
SPECIAL FEATURES/ SECURITY	TPM 2.0, INFINEON SLB9665XQ2.0 Security Chip for Kontron security stack (Approtect)
SPECIFICATIONS	Commercial grade Version Temperature 0° C – 60° C, Industrial grade Versions -40° C to +85° C
OPERATING SYSTEMS	Linux, Windows® Server 2008 R2 SP1 / 2012, /2012 R2 Windows® 7 and 8.1, VxWorks 7.x
TEMPERATURE	Commercial Temperature 0° C – 60° C Industrial temperature -40° C to +85° C (specified SKUs only)
SUPPORTED MODULES	COMe-bBD7 xxxxx commercial grade COMe-bBD7 E2 xxxxx industrial grade (specified SKUs only)



CORPORATE OFFICES

EUROPE, MIDDLE EAST & AFRICA

Lise-Meitner-Str. 3-5
86156 Augsburg
Germany
Tel.: +49 821 4086 0
Fax: +49 821 4086 111
info@kontron.com

NORTH AMERICA

14118 Stowe Drive
Poway, CA 92064-7147
USA
Tel.: +1 888 294 4558
Fax: +1 858 677 0898
info@us.kontron.com

ASIA PACIFIC

1-2F, 10 Building, No. 8 Liangshuihe 2nd Street,
Economical & Technological Development Zone,
Beijing, 100176, P.R.China
Tel.: +86 10 63751188
Fax: +86 10 83682438
info@kontron.cn

FORTEC

ELEKTRONIK AG

Our company network supports you worldwide with offices in Germany, Austria, Switzerland, Great Britain and the USA. For more information please contact:

FORTEC Elektronik AG

Hauptniederlassung
Lechwiesenstr. 9
86899 Landsberg am Lech

Telefon: +49 (0) 8191 91172-0
Telefax: +49 (0) 8191 21770
E-Mail: sales@fortecag.de
Internet: www.fortecag.de

FORTEC Elektronik AG

Büro West
Hohenstaufenring 55
50674 Köln

Telefon: +49 (0) 221 272 273-0
Telefax: +49 (0) 221 272 273-10
E-Mail: west@fortecag.de
Internet: www.fortecag.de

FORTEC Elektronik AG

Büro Wien
Nuschinggasse 12
A-1230 Wien

Telefon: +43 1 8673492-0
Telefax: +43 1 8673492-26
E-Mail: office@fortec.at
Internet: www.fortec.at

ALTRAC AG

(Tochter der Fortec AG):
Bahnhofstraße 3
CH-5436 Würenlos

Telefon: +41 (0) 44 7446111
Telefax: +41 (0) 44 7446161
E-Mail: info@altrac.ch
Internet: www.altrac.ch

Members of the FORTEC Group:

