

Datasheet

COMe-mAL10

Kontron

Our company network supports you worldwide with offices in Germany, Austria, Switzerland, Great Britain and the USA. For more information please contact:

FORTEC Elektronik AG

Hauptniederlassung
Lechwiesenstr. 9
86899 Landsberg am Lech

Telefon: +49 (0) 8191 91172-0
Telefax: +49 (0) 8191 21770
E-Mail: sales@fortecag.de
Internet: www.fortecag.de

FORTEC Elektronik AG

Büro West
Hohenstaufenring 55
50674 Köln

Telefon: +49 (0) 221 272 273-0
Telefax: +49 (0) 221 272 273-10
E-Mail: west@fortecag.de
Internet: www.fortecag.de

FORTEC Elektronik AG

Büro Wien
Nuschinggasse 12
A-1230 Wien

Telefon: +43 1 8673492-0
Telefax: +43 1 8673492-26
E-Mail: office@fortec.at
Internet: www.fortec.at

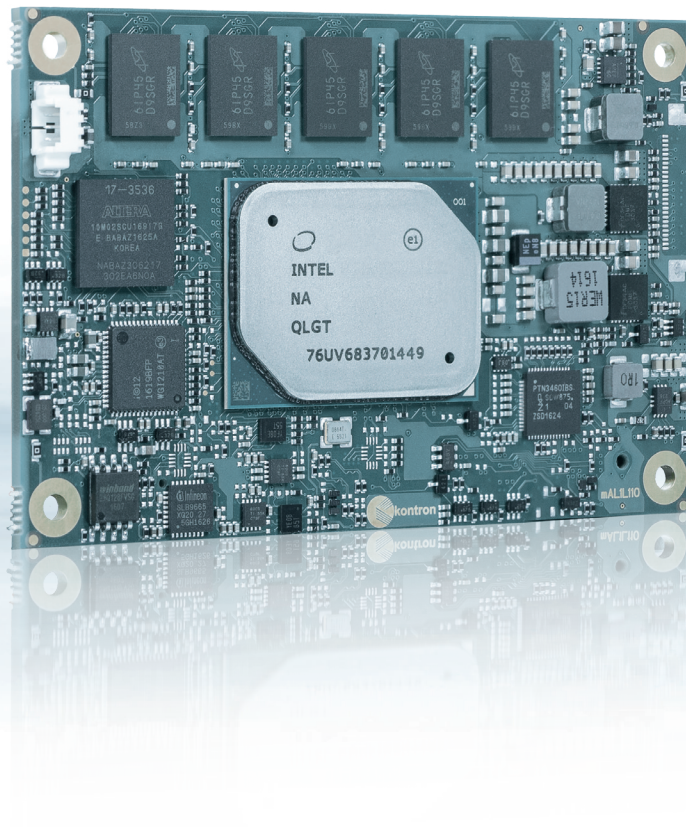
ALTRAC AG

(Tochter der FORTEC):
Bahnhofstraße 3
CH-5436 Würenlos

Telefon: +41 (0) 44 7446111
Telefax: +41 (0) 44 7446161
E-Mail: info@altrac.ch
Internet: www.altrac.ch

The information contained in this document has been carefully researched and is, to the best of our knowledge, accurate. However, we assume no liability for any product failures or damages, immediate or consequential, resulting from the use of the information provided herein. Our products are not intended for use in systems in which failures of product could result in personal injury. All trademarks mentioned herein are property of their respective owners. All specifications are subject to change without notice.

COMe-mAL10 (E2)



COM EXPRESS® MINI TYPE 10 WITH LATEST GENERATION Intel® Atom™, Pentium® and Celeron® SERIES

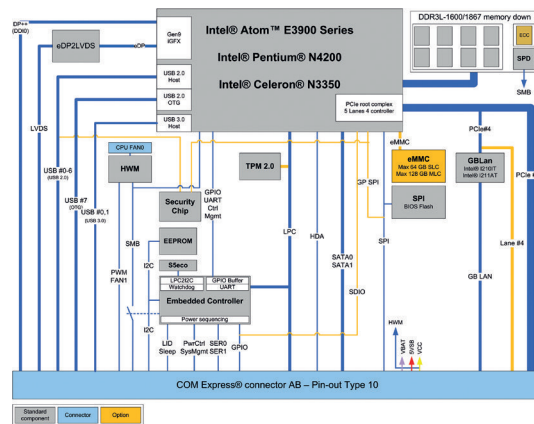
- ▶ low-Power – Performance / Watt optimized small form factor solution
- ▶ up to 8 GByte DDR3L memory down (ECC / non ECC)
- ▶ 2x USB 3.0/2.0, up to 6x USB 2.0, USB client optional, 2x SATA, eMMC Flash
- ▶ industrial grade temperature
- ▶ support of Kontron's Embedded Security Solution (Aprotect)

POSSIBILITIES START HERE



TECHNICAL INFORMATION

COMPLIANCE	COM Express® compact, Pin-out Type 10	
DIMENSIONS (H X W X D)	95 x 95 mm	
CPU	Intel® Atom™ x7-E3950, 4C, 1.6 / 2.0 GHz, 6 W TDP Intel® Atom™ x5-E3940, 4C, 1.6 / 1.8 GHz, 9 W TDP Intel® Atom™ x5-E3930, 2C, 1.3 / 1.8 GHz, 6.6 W TDP	Intel® Pentium® N4200, 4C, 1.1 / 2.5 GHz, 6 W TDP Intel® Celeron® N3350, 2C, 1.1 / 2.4 GHz, 6 W TDP
CHIPSET	-	
MAIN MEMORY	Up to 8 GByte DDR3-1866 (-1600) memory down (ECC for Atom-versions)	
GRAPHICS CONTROLLER	Intel HD Gfx Gen9: LVDS/eDP, 1x DP++, up to 4K	
ETHERNET CONTROLLER	Intel® I210IT/I211AT	
ETHERNET	10/1002/1000 MBit Ethernet	
HARD DISK	2x SATA 6 Gb/s, SDIO Interface (shared with GPIO)	
FLASH ONBOARD	32 GByte eMMC	
PCI EXPRESS® SUPPORT	3x PCIe x1, 1x PCIe x4	
PANEL SIGNAL	DDI: DP++, LVDS: Single Channel 18/24 bit or eDP	
USB	2x USB 3.0 (incl. USB 2.0) + 8x USB 2.0, Port 7 is dual role (Client/Host)	
SERIAL	2x serial interface (RX/TX only)	
AUDIO	Intel® High Definition Audio	
COMMON FEATURES	SPI, LPC, SMB, Fast I ² C, Staged Watchdog, RTC, MARS	
BIOS	AMI Aptio V	
HUMIDITY	93% relative Humidity at 40 °C, non-condensing (according to IEC 60068-2-78)	
FEATURES ON REQUEST	1x PCIe x1 additional w/o onboard LAN (configuration 4x PCIe x1), MMC Flash onboard (up to 32 GByte SLC, up to 128 GByte MLC), eDP instead of LVDS, General Purpose SPI instead of Boot SPI, FSP + Coreboot, AES-NI, USB client	
POWER MANAGEMENT	ACPI 4.0, S5 Eco	
POWER SUPPLY	4.75 V – 20 V Wide Range, Single Supply Power	
SPECIAL FEATURES	POSCAP capacitors, Trusted Platform Module TPM 2.0, Security Chip (Support of Kontron Approtect), 4k Resolutions, GPIO/SDIO Switch, General Purpose SPI optional, Industrial Temperature Grade versions	
OPERATING SYSTEM	Windows® 10, Enterprise, Windows 10 IoT, Linux, VxWorks	
TEMPERATURE	COMe-mAL10: Commercial temperature: 0 °C to +60 °C operating, -30 °C to +85 °C non-operating COMe-mAL10 E2: Industrial temperature: -40 °C to +85 °C operating, -40 °C to +85 °C non-operating	
SUPPORTED MODULES	COMe-mAL10 / COMe-mAL10 E2	



CORPORATE OFFICES

EUROPE, MIDDLE EAST & AFRICA

Lise-Meitner-Str. 3-5
86156 Augsburg
Germany
Tel.: +49 821 4086 0
Fax: +49 821 4086 111
info@kontron.com

NORTH AMERICA

14118 Stowe Drive
Poway, CA 92064-7147
USA
Tel.: +1 888 294 4558
Fax: +1 858 677 0898
info@us.kontron.com

ASIA PACIFIC

1-2F, 10 Building, No. 8 Liangshuihe 2nd Street,
Economical & Technological Development Zone,
Beijing, 100176, P.R.China
Tel.: +86 10 63751188
Fax: +86 10 83682438
info@kontron.cn

FORTEC

ELEKTRONIK AG

Our company network supports you worldwide with offices in Germany, Austria, Switzerland, Great Britain and the USA. For more information please contact:

FORTEC Elektronik AG

Hauptniederlassung
Lechwiesenstr. 9
86899 Landsberg am Lech

Telefon: +49 (0) 8191 91172-0
Telefax: +49 (0) 8191 21770
E-Mail: sales@fortecag.de
Internet: www.fortecag.de

FORTEC Elektronik AG

Büro West
Hohenstaufenring 55
50674 Köln

Telefon: +49 (0) 221 272 273-0
Telefax: +49 (0) 221 272 273-10
E-Mail: west@fortecag.de
Internet: www.fortecag.de

FORTEC Elektronik AG

Büro Wien
Nuschinggasse 12
A-1230 Wien

Telefon: +43 1 8673492-0
Telefax: +43 1 8673492-26
E-Mail: office@fortec.at
Internet: www.fortec.at

ALTRAC AG

(Tochter der Fortec AG):
Bahnhofstraße 3
CH-5436 Würenlos

Telefon: +41 (0) 44 7446111
Telefax: +41 (0) 44 7446161
E-Mail: info@altrac.ch
Internet: www.altrac.ch

Members of the FORTEC Group:

