



DLD1335-A V1
13.3" TFT LCD, LED Backlight 1000nits, 1920x1080

The DLD1335-A is a 13.3 inch industrial grade sunlight readable LCD, with high brightness 1000 nits and high color saturation, it produce sharp images, crisp text and lifelike colors. The Durapixel LED backlight technology ensures high reliability and low power consumption, suitable for outdoor application, kiosk, factory automation, military, transportation and gaming application.

Key Features

- High Brightness 1000 nits
- Sunlight Readable
- LED Backlight
- Low Power Consumption
- Wide Operation Temperature
- BL MTBF: 100,000 hours



Specifications

Model Name	DLD1335-A V1
Description	13.3" TFT LCD, LED Backlight 1000 nits, 1920x1080
Screen Size	13.3"
Display Area (mm)	293.47(H) x 165.08(V)
Brightness	1000 cd/m ²
Resolution	1920x1080
Aspect Ratio	16 : 9
Contrast Ratio	1000 : 1
Pixel Pitch (mm)	0.15285(H) x 0.15285(V)
Pixel Pre Inch (PPI)	166
Viewing Angle	178°(H),178°(V)
Color Saturation (NTSC)	87%
Display Colors	16.7M
Response Time (Typical)	25ms
Panel Interface	LVDS
AD Board Input Interface	DVI-I, HDMI, DP
AD Board Input Power	DC12V
Power Consumption	15.5W
OSD Key	4 Keys (Power Switch, Menu, +, -)
OSD Control	Brightness, Color, Contrast, Auto Turing, H/V Position...etc
Dimensions (mm)	314.6 x 189 x 40.6
Bezel Size(U/B/L/R)	8.6/14.5/10.2/10.2 mm
Weight (Net)	1.8kg
Mounting	75x75 mm
Operating Temperature	-20 °C ~ 70 °C
Storage Temperature	-20 °C ~ 70 °C

DLD= Panel+ LED Driving Board + AD Control Board + Housing

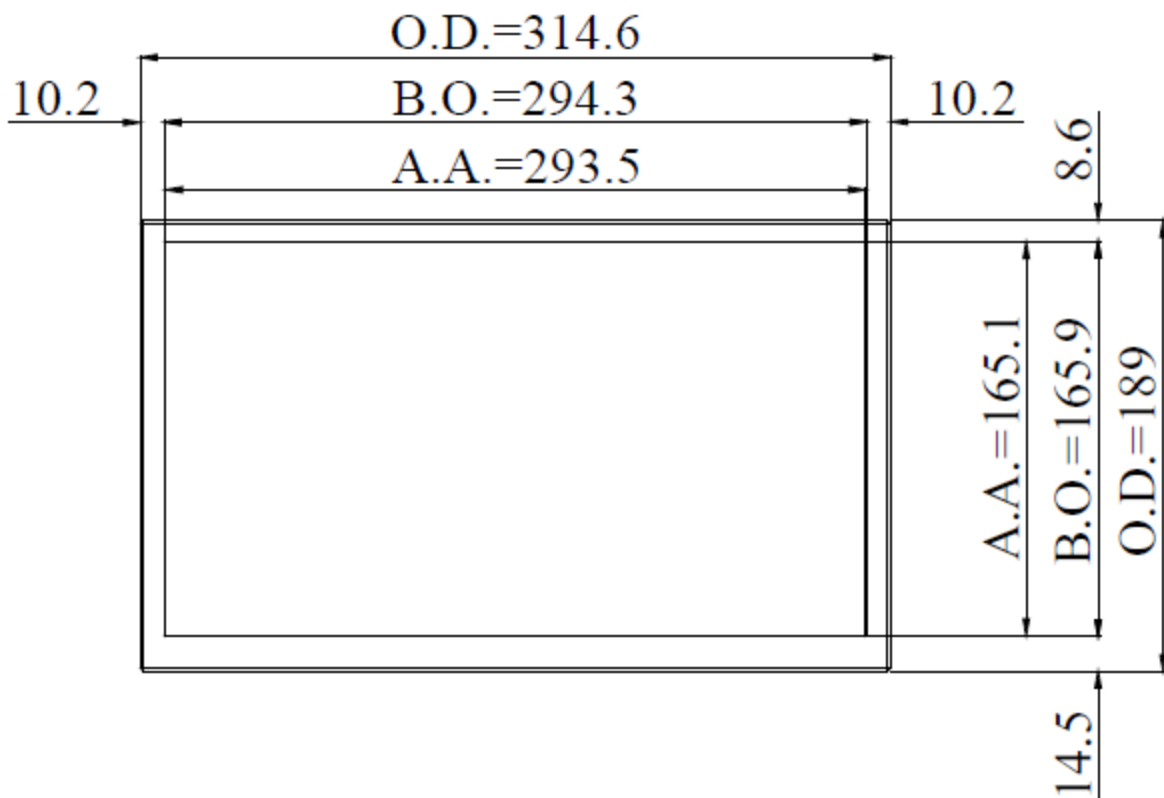
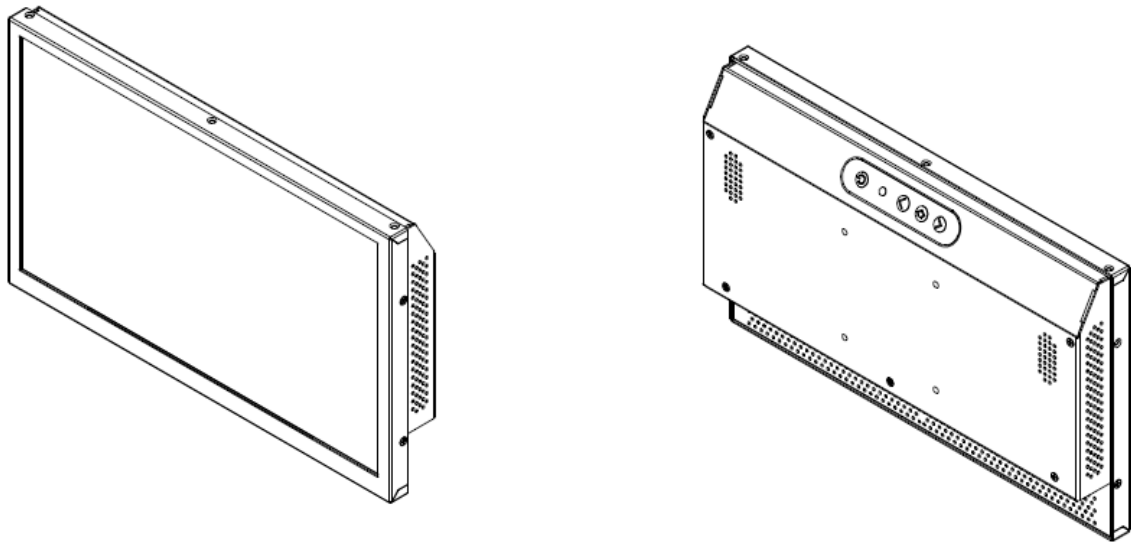
Specifications are subject to change without notice.
 All brands or product names are trademarks or registered trademarks of their respective companies.

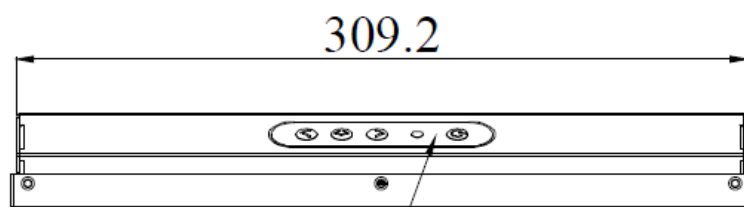
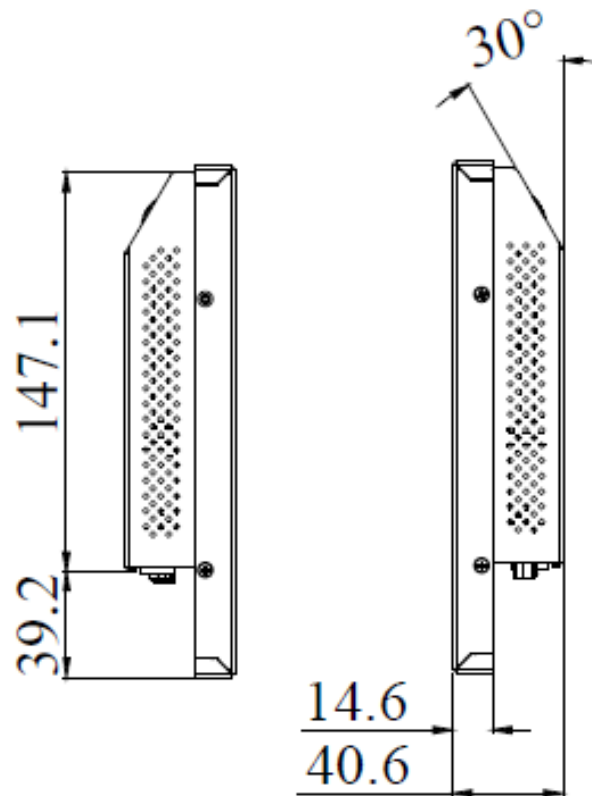


Mechanical Drawing

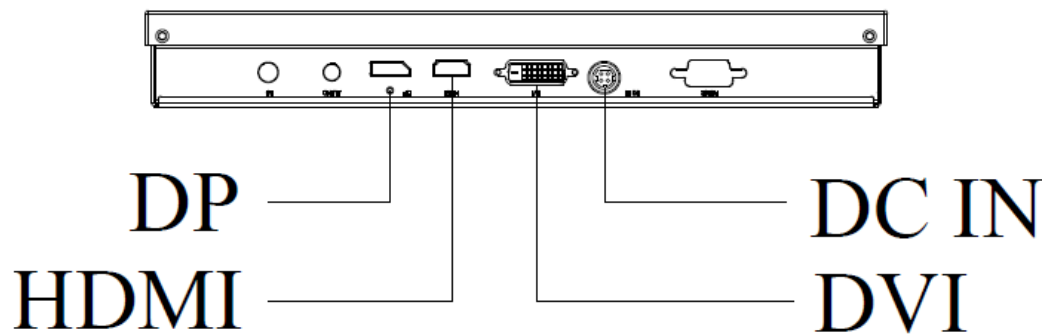
Outline Dimensions

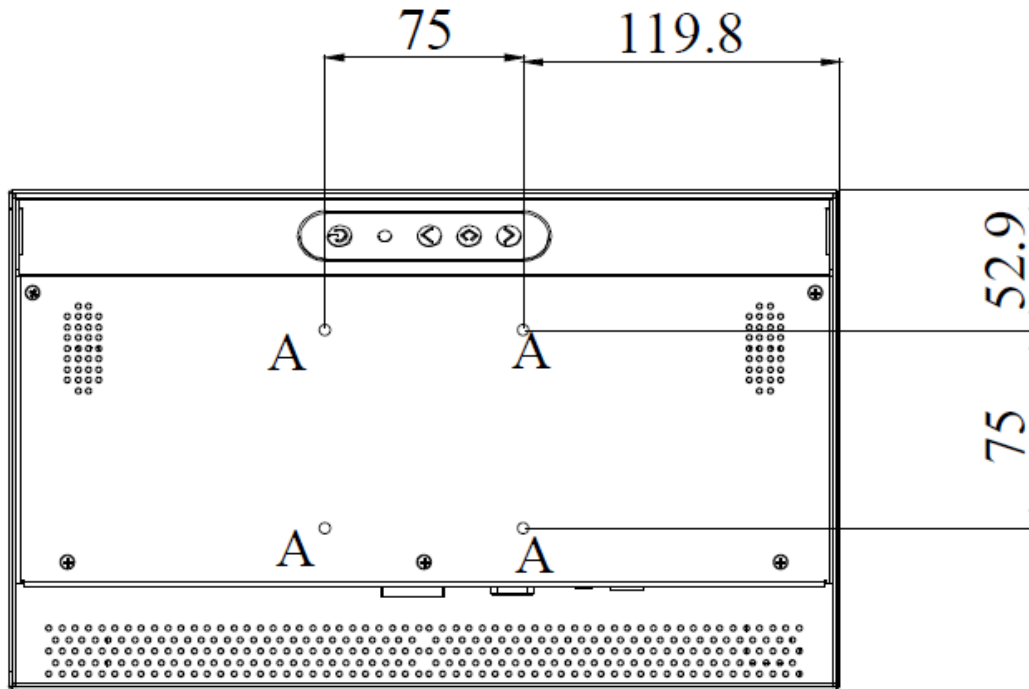
Unit:mm





MEMBRANE 4-KEYS





Ordering Information

Part Number	Description
DLD1335-ANB-P01	13.3",1000nits,1920x1080,LID13B,AD8220GDHP,O/B,DC12V,1in1,V1

Optional Accessories

Part Number	Description
810618301010	CABLE,POWER,AC,1830mm USA type
810618301090	CABLE,POWER,AC,1830mm Europe type
810618301050	CABLE,POWER,AC,1830mm UK type
810618301170	CABLE,POWER,AC,1830mm Australia type
810618301031	CABLE,POWER,AC,1830mm Japan type

Customer request

Touch	SCT (Single-Touch), PCT (Multi-Touch)
Glass	Tempered glass,AR coating,.....