



## DLD1858-T V1

### 18.5" TFT LCD, LED Backlight 1600nits, FHD(1920x1080)

The DLD1858-T is a 18.5 inch industrial grade sunlight readable LCD, with high brightness 1600 nits and high color saturation, it produce sharp images, crisp text and lifelike colors. The Durapixel LED backlight technology ensures high reliability and low power consumption, suitable for outdoor application, kiosk, factory automation, military, transportation and gaming application.

#### Key Features

- High Brightness 1600 nits
- Sunlight Readable
- Wide Viewing Angle of 176°(H), 176°(V)
- Wide Temperature (-20°C~70°C)
- Low Power Consumption
- BL MTBF: 100,000 hours



### Specifications

Model Name	DLD1858-T V1
Description	18.5" TFT LCD, LED Backlight 1600 nits, FHD (1920x1080)
Screen Size	18.5"
Display Area (mm)	408.9(H) x 230(V)
Brightness	1600 cd/m <sup>2</sup>
Resolution	1920x1080
Aspect Ratio	16 : 9
Contrast Ratio	1120 : 1
Pixel Pitch (mm)	0.213(H) x 0.213(V)
Pixel Pre Inch (PPI)	119
Viewing Angle	176°(H),176°(V)
Color Saturation (NTSC)	85%
Display Colors	16.7M
Response Time (Typical)	25ms
Panel Interface	LVDS
AD Board Input Interface	VGA, DVI-D, HDMI
Input Power	DC12V
Power Consumption	40W
OSD Key	4 Keys (Power Switch, Menu, +, -)
OSD Control	Brightness, Color, Contrast, Auto Turing, H/V Position...etc
Dimensions (mm)	475 x 330 x 61.6
Bezel Size(U/B/L/R)	33.9/63.9/31.7/31.7
Weight (Net)	4.8kg
Mounting	75x75, 100x100
Operating Temperature	-20 °C ~ 70 °C
Storage Temperature	-30 °C ~ 80 °C

DLD= Panel + LED Driving Board + AD Control Board + Housing

*Specifications are subject to change without notice.*

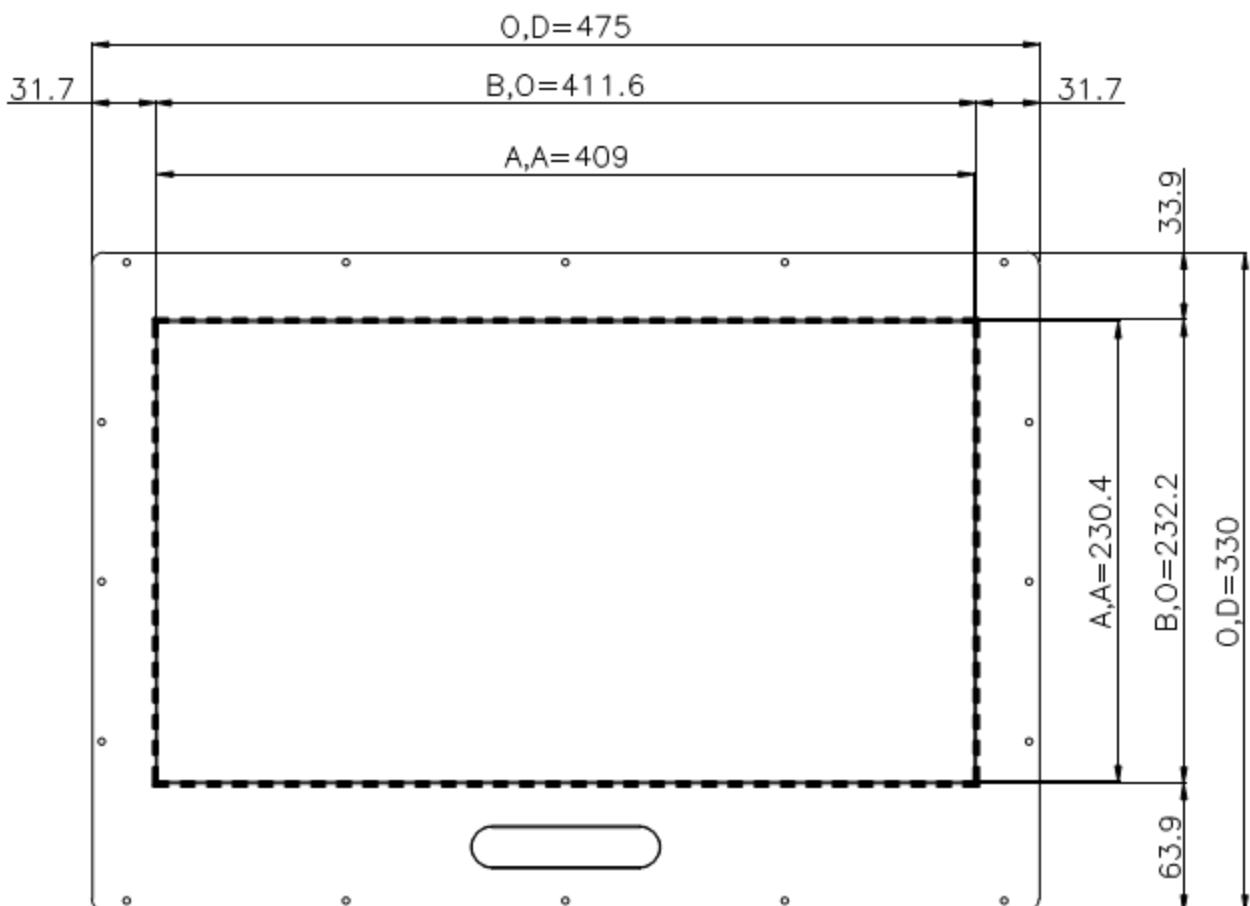
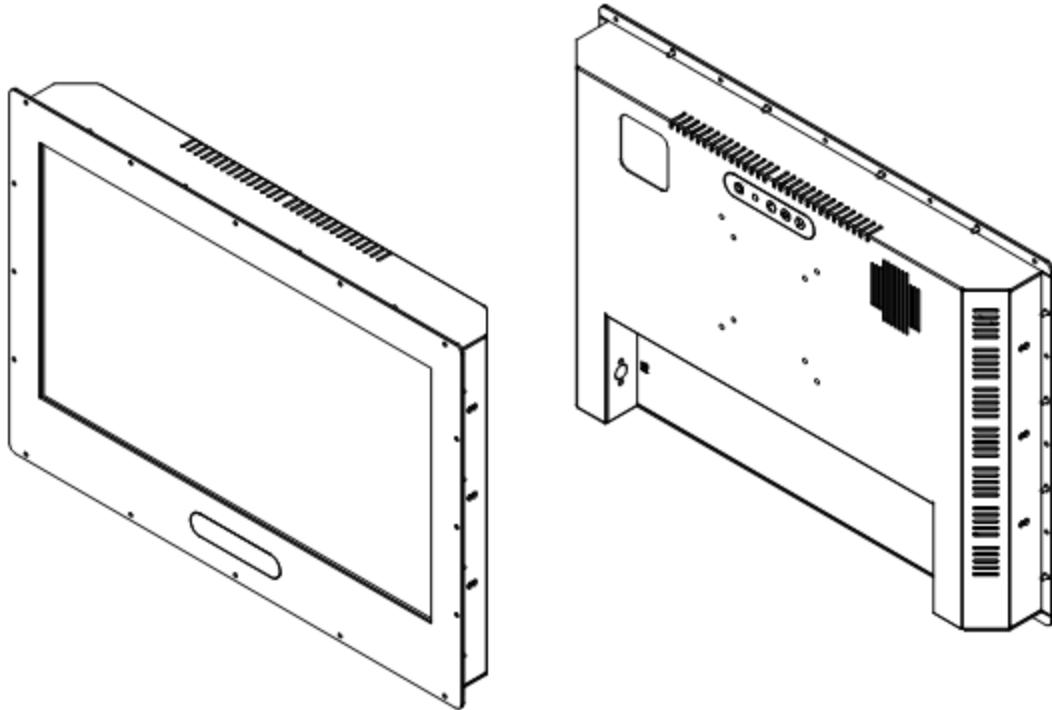
*All brands or product names are trademarks or registered trademarks of their respective companies.*

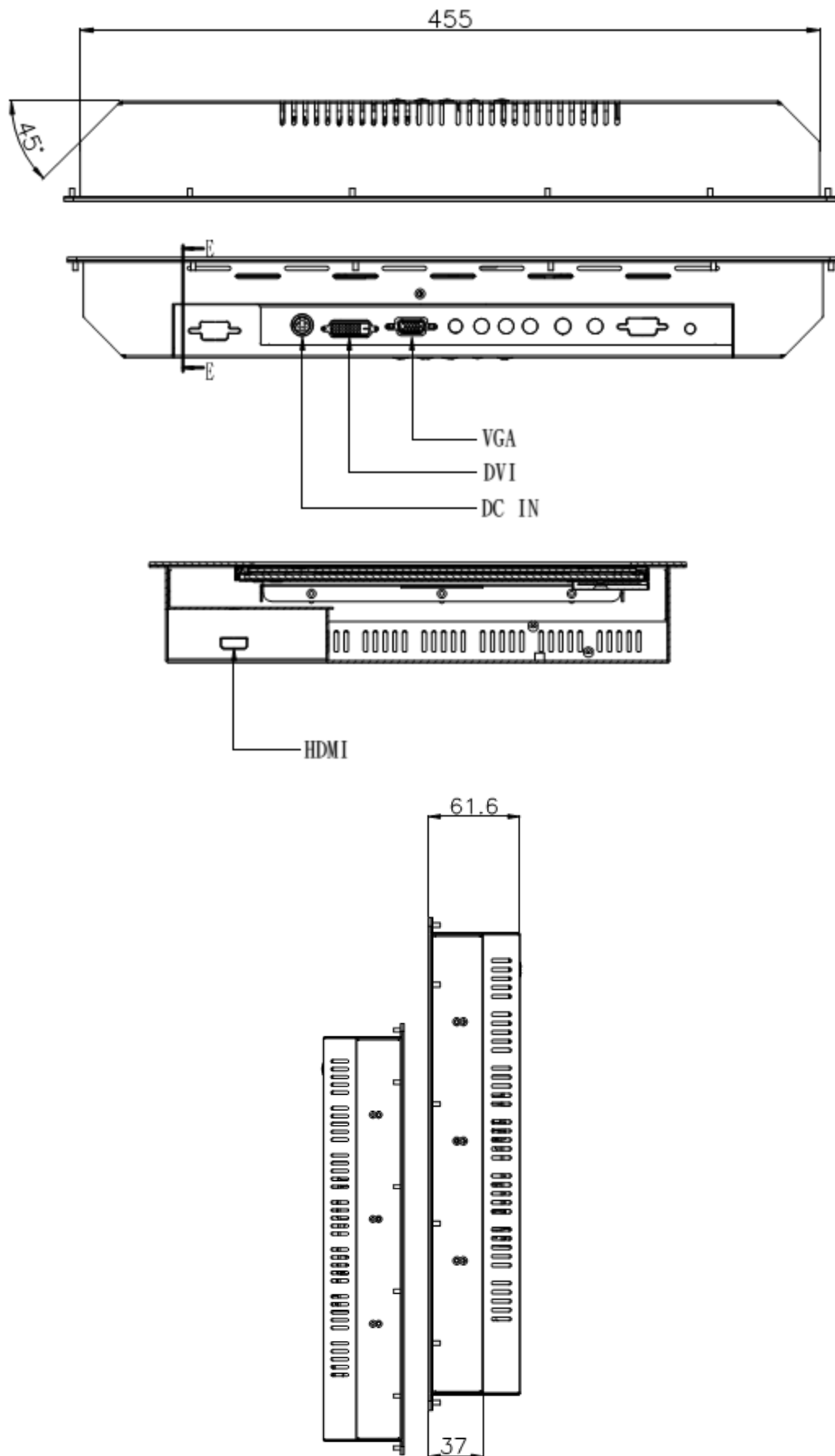


## Mechanical Drawing

### Outline Dimensions

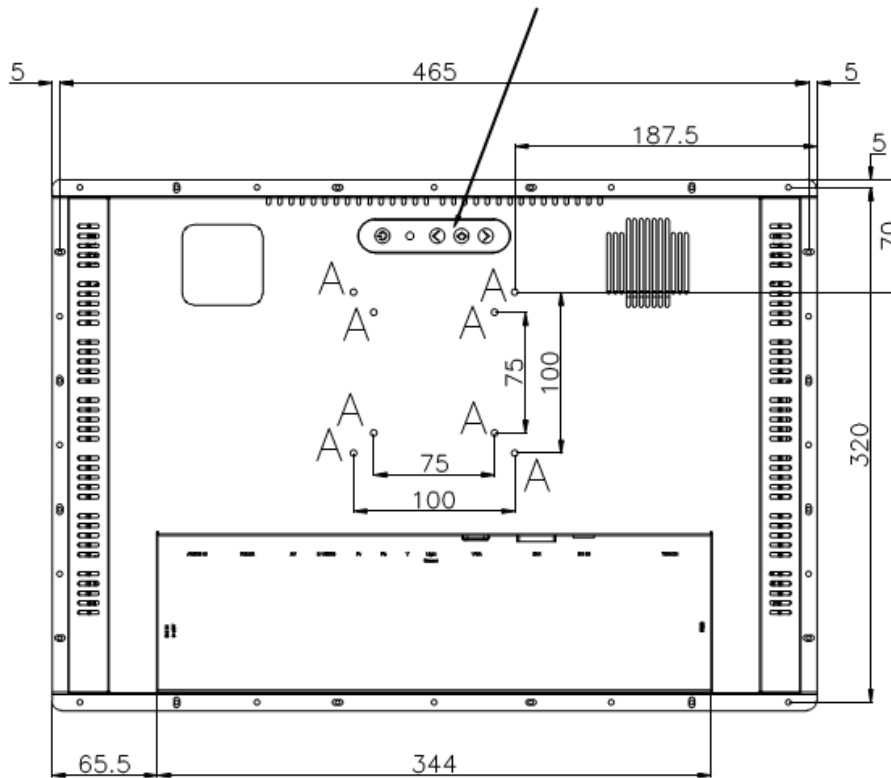
Unit:mm







### MEMBRANE 4-KEYS



**NOTE :**

O.D. : OUTLINE DIMENSION

B.O. : BEZEL OPENING

A.A. : LCD ACTIVE AREA

A : 8-M4\_USER HOLE\_MAX Depth=4mm

### Ordering Information

Part Number	Description
DLD1858-TNB-G01	18.5",1600nits,FHD,LID18C,AD2662GDH,O/B,DC12V,V1

### Optional Accessories

Part Number	Description
840612051212	ADAPTER,AC/DC,12V/5A,60W.Power-Din-4P,CWT.G99-ABF060F-N022.Efficiency-level-6,R
810618301010	CABLE.POWER.AC.1830mm USA type
810618301090	CABLE,POWER,AC,1830mm Europe type
810618301050	CABLE.POWER.AC.1830mm UK type
810618301170	CABLE.POWER,AC,1830mm Australia type
810618301031	CABLE.POWER.AC.1830mm Japan type

### Customer request

Touch	SCT (Single-Touch), PCT (Multi-Touch)
Glass	Tempered glass,AR coating.....