



**DLD3200-GNE V1**  
**32" TFT LCD, LED Backlight 2000nits, FHD(1920x1080)**

The DLD3200-GNE is a 32 inch industrial grade sunlight readable LCD, with high brightness 2000 nits and high color saturation, it produce sharp images, crisp text and lifelike colors. The Durapixel LED backlight technology ensures high reliability and low power consumption, suitable for outdoor application, kiosk, factory automation, military, transportation and gaming application.

**Key Features**

- High Brightness 2000 nits
- Sunlight Readable
- LED Backlight
- Low Power Consumption
- LCD Blanking Defect Free (H-Tni 110°C)
- BL MTBF: 100,000 hours



**Specifications**

<b>Model Name</b>	<b>DLD3200-GNE V1</b>
<b>Description</b>	32" TFT LCD, LED Backlight 2000 nits, FHD (1920x1080)
<b>Screen Size</b>	32"
<b>Display Area (mm)</b>	698.4(H) x 392.8(V)
<b>Brightness</b>	2000 cd/m <sup>2</sup>
<b>Resolution</b>	1920x1080
<b>Aspect Ratio</b>	16 : 9
<b>Contrast Ratio</b>	1400 : 1
<b>Pixel Pitch (mm)</b>	0.36375(H) x 0.36375(V)
<b>Pixel Pre Inch (PPI)</b>	68
<b>Viewing Angle</b>	178°(H),178°(V)
<b>Color Saturation (NTSC)</b>	81%
<b>Display Colors</b>	16.7M
<b>Response Time (Typical)</b>	10ms
<b>Panel Interface</b>	LVDS
<b>AD Board Input Interface</b>	VGA, DVI-D, HDMI
<b>Input Power</b>	AC100~240V
<b>Power Consumption</b>	86.8W
<b>OSD Key</b>	4 Keys (Power Switch, Menu, +, -)
<b>OSD Control</b>	Brightness, Color, Contrast, Auto Turing, H/V Position...etc
<b>Dimensions (mm)</b>	735.4 x 429.8 x 59.3
<b>Bezel Size(U/B/L/R)</b>	16.5/16.5/16.5/16.5 mm
<b>Weight (Net)</b>	8.5kg
<b>Mounting</b>	100x100,200X200
<b>Operating Temperature</b>	0 °C ~ 50 °C
<b>Storage Temperature</b>	-20 °C ~ 60 °C

**DLD= Panel + LED Driving Board + AD Control Board + Housing**

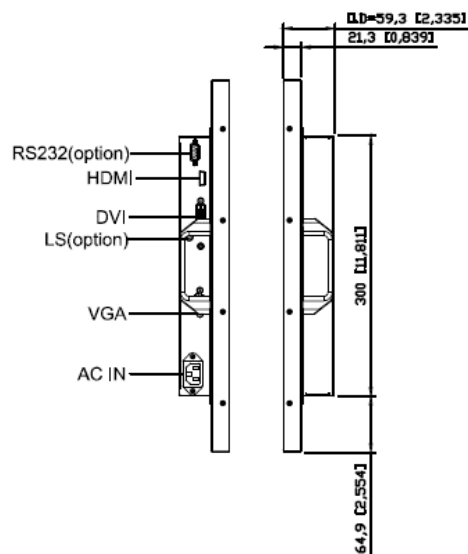
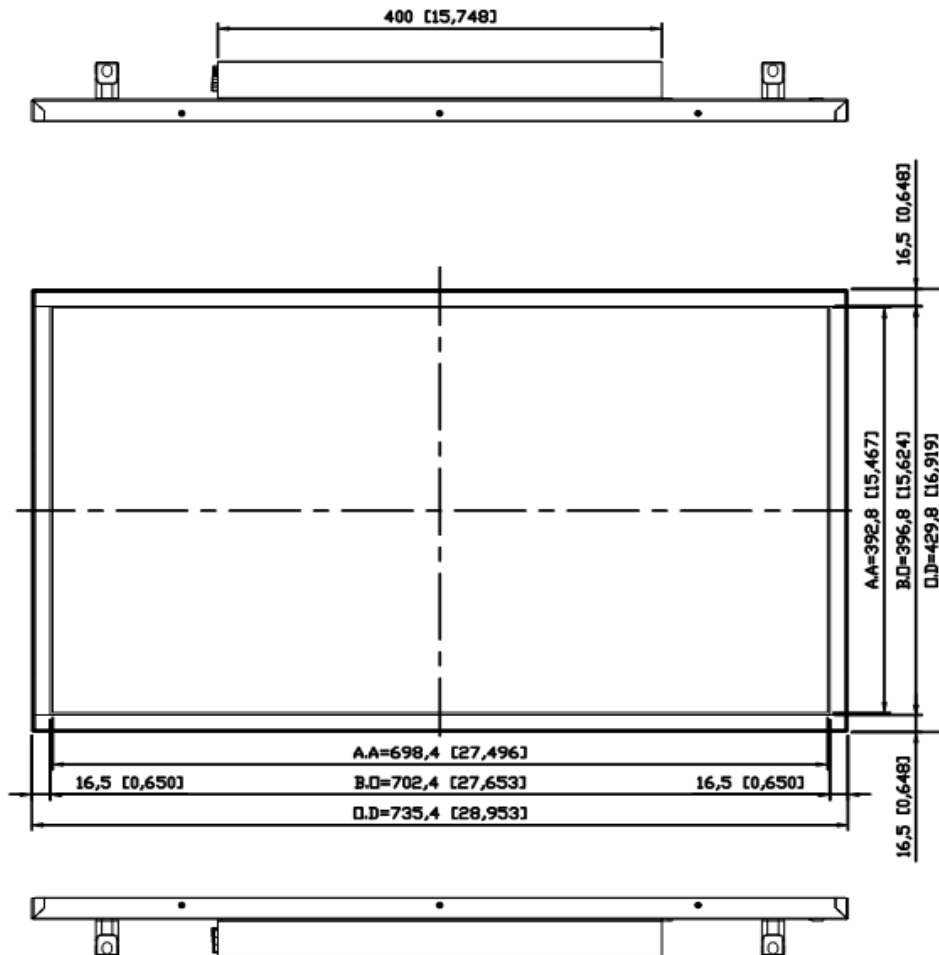
Specifications are subject to change without notice.  
 All brands or product names are trademarks or registered trademarks of their respective companies.

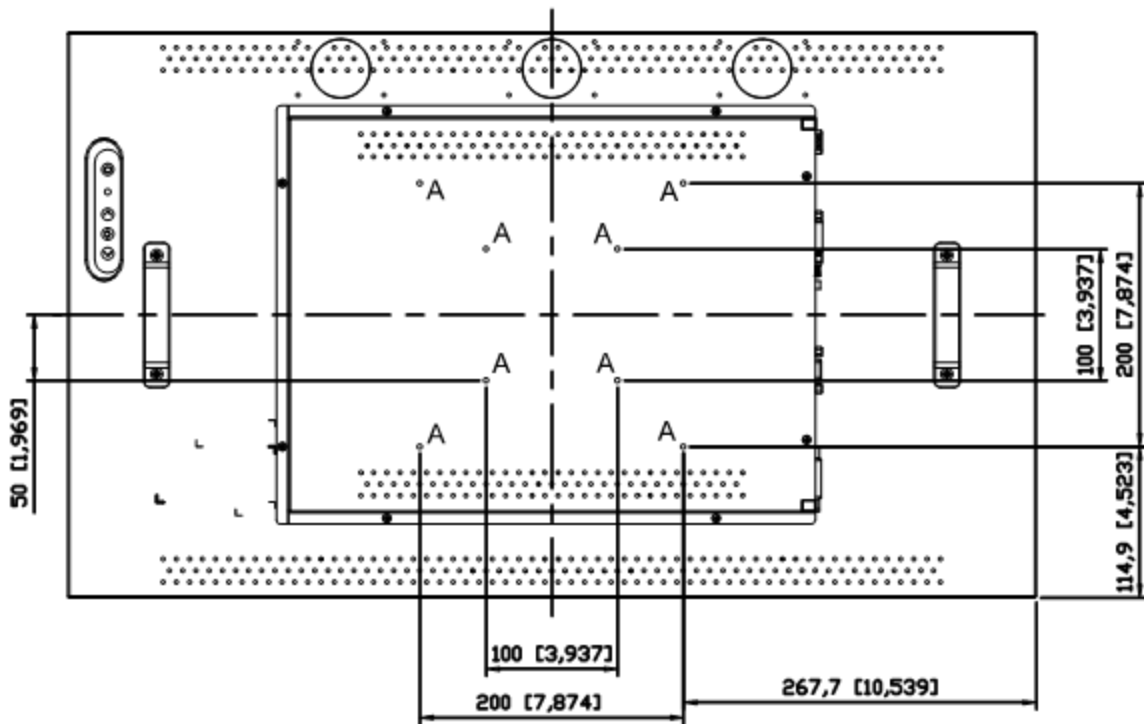
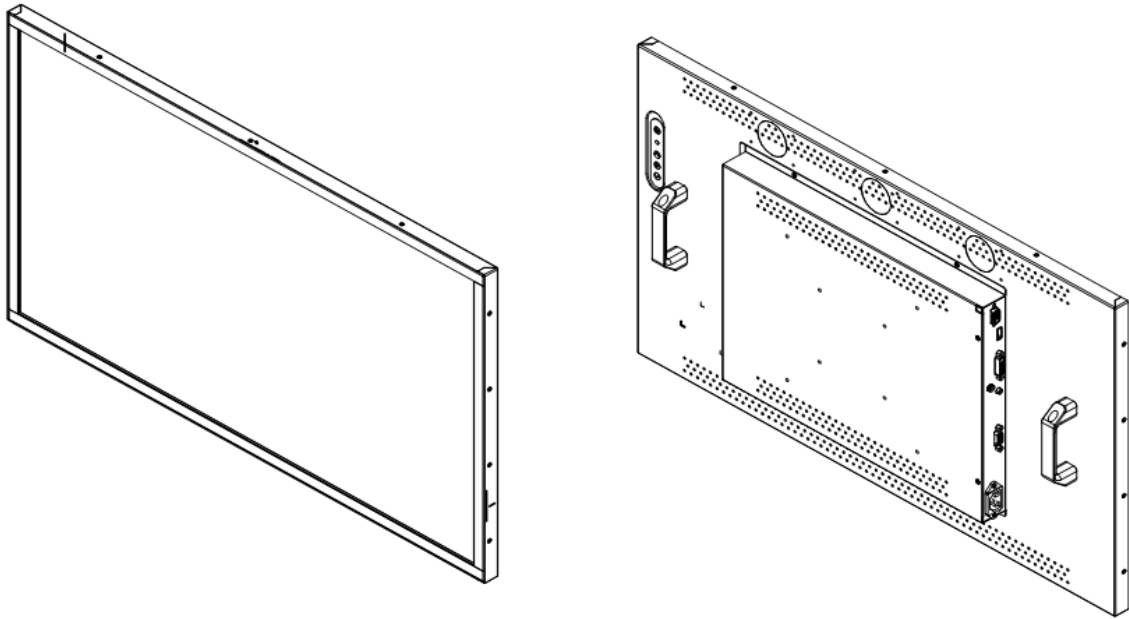


## Mechanical Drawing

### Outline Dimensions

Unit:mm







### Ordering Information

Part Number	Description
<b>DLD3200-GNE-G01</b>	32",2000nits,1920x1080,HTni,LID32A,AD2662GDHM,O/B,AC100~240V,V1

### Optional Accessories

Part Number	Description
<b>810618301010</b>	CABLE.POWER.AC.1830mm USA type
<b>810618301090</b>	CABLE,POWER,AC,1830mm Europe type
<b>810618301050</b>	CABLE.POWER.AC.1830mm UK type
<b>810618301170</b>	CABLE.POWER,AC,1830mm Australia type
<b>810618301031</b>	CABLE.POWER.AC.1830mm Japan type

### Customer request

<b>Touch</b>	SCT (Single-Touch), PCT (Multi-Touch)
<b>Glass</b>	Tempered glass, AR coating.....