



**DLD6501-L V1**  
**65" TFT LCD, 4000 nits LED backlight, UHD(3840x2160)**

The DLD6501-L is a 65 inch industrial grade sunlight readable LCD, with high brightness 4000 nits and high color saturation, it produce sharp images, crisp text and lifelike colors. The Durapixel LED backlight technology ensures high reliability and low power consumption, suitable for outdoor application, kiosk, factory automation, military, transportation and gaming application.

**Key Features**

- High Brightness: 4000 nits
- Sunlight Readable
- LED Backlight
- LCD Blacking Defect Free (H-Tni 110°C )
- Slim Bezel
- BL MTBF: 100,000 hours



**Specifications**

<b>Model Name</b>	<b>DLD6501-L V1</b>
<b>Description</b>	65" TFT LCD, LED Backlight 4000 nits, UHD (3840x2160)
<b>Screen Size</b>	65"
<b>Display Area (mm)</b>	1428.48(H) x 803.52(V)
<b>Brightness</b>	4000 cd/m <sup>2</sup>
<b>Resolution</b>	3840 x 2160
<b>Aspect Ratio</b>	16 : 9
<b>Contrast Ratio</b>	800 : 1
<b>Pixel Pitch (mm)</b>	0.372(H) x 0.372(V)
<b>Pixel Pre Inch (PPI)</b>	67
<b>Viewing Angle</b>	178°(H),178°(V)
<b>Color Saturation (NTSC)</b>	78%
<b>Display Colors</b>	1.07G
<b>Response Time (Typical)</b>	8ms
<b>Panel Interface</b>	V-by-One
<b>AD Board Input Interface</b>	DVI-D, HDMI, DP
<b>Input Power</b>	AC100~240V
<b>Power Consumption )</b>	405W
<b>OSD Key</b>	5 Keys (Power Switch, Menu, +, Exit, -)
<b>OSD Control</b>	Brightness, Color, Contrast, Auto Turing, H/V Position...etc
<b>Dimensions (mm)</b>	1474.2 x 849.2 x 95
<b>Bezel Size(U/B/L/R)</b>	20.88/20.88/20.9/20.9 mm
<b>Weight (Net)</b>	48kg
<b>Mounting</b>	VESA 400X200, 400X400mm
<b>Operating Temperature</b>	0 °C ~ 50 °C
<b>Storage Temperature</b>	-20 °C ~ 60 °C

**DLD** = Panel + LED Driving Board + AD Control Board + Housing

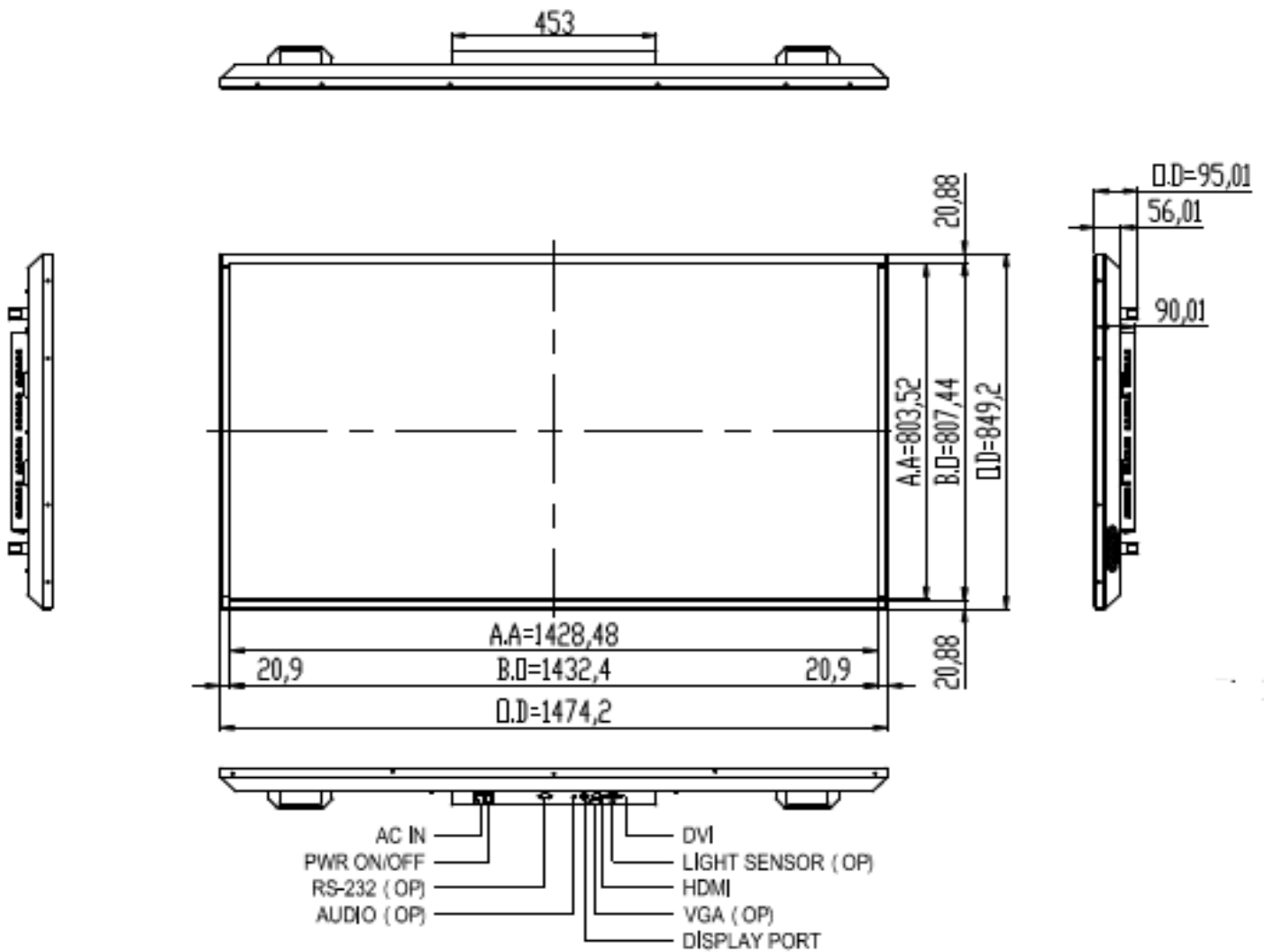
Specifications are subject to change without notice.  
 All brands or product names are trademarks or registered trademarks of their respective companies.

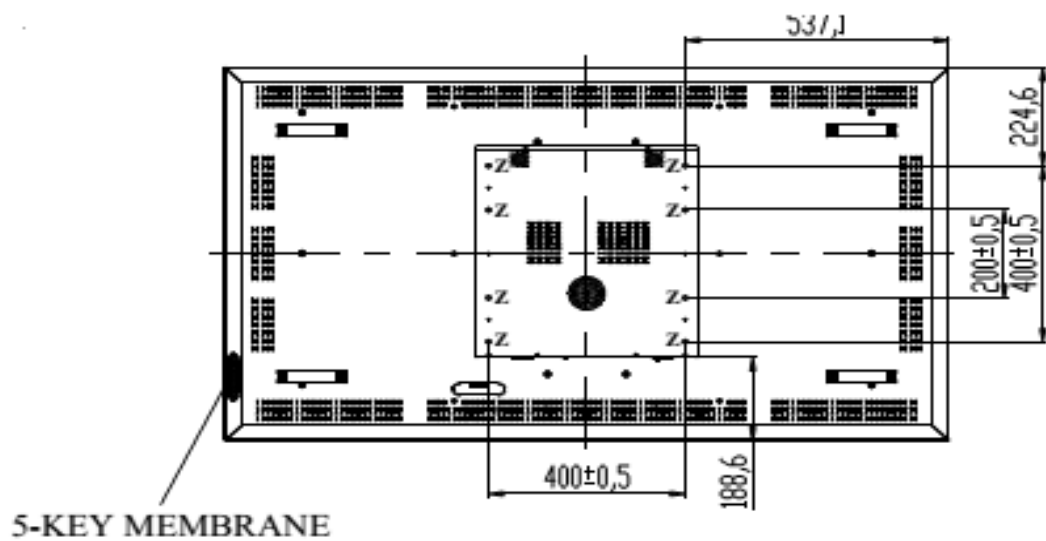
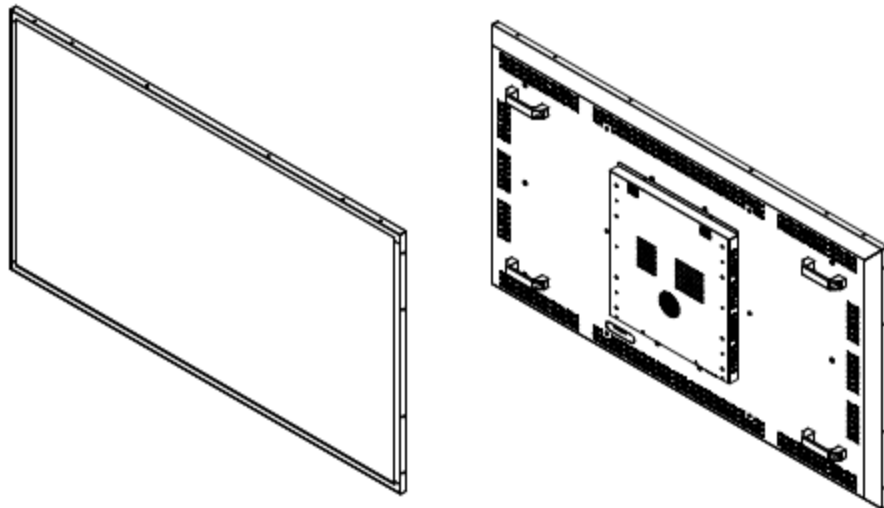


## Mechanical Drawing

### Outline Dimensions

Unit:mm





Note:  
 O.D : Outline Dimension  
 B.O : Bezel Opening  
 A.A : LCD Active Area  
 Z:8-M8 USER HOLE \_MAX. DEPTH=12mm



### Ordering Information

Part Number	Description
<b>DLD6501-LNU-N01</b>	65",4000nits,3840*2160,HTNi.LID65A,AD2796DHP,O/B.AC100~240V,V1

### Optional Accessories

Part Number	Description
<b>810618301010</b>	CABLE.POWER.AC.1830mm USA type
<b>810618301090</b>	CABLE,POWER,AC,1830mm Europe type
<b>810618301050</b>	CABLE.POWER.AC.1830mm UK type
<b>810618301170</b>	CABLE.POWER,AC,1830mm Australia type
<b>810618301031</b>	CABLE.POWER.AC.1830mm Japan type

### Customer request

<b>Touch</b>	PCT (Multi-Touch)
<b>Glass</b>	Tempered glass, AR coating.....