



DLF2705-B / DLH2705-B V1
27" TFT LCD, LED Backlight 1000nits, FHD(1920x1080)

The DLF/DLH2705-B is a 27 inch industrial grade sunlight readable LCD, with high brightness 1000 nits, it produce sharp images, crisp text and lifelike colors. The Durapixel LED backlight technology ensures high reliability and low power consumption, suitable for outdoor application, kiosk, factory automation, military, transportation and gaming application.

Key Features

- High Brightness 1000 nits
- Sunlight Readable
- LED Backlight
- Slim Bezel
- Low Power Consumption
- BL MTBF: 100,000 hours



Specifications

Model Name	DLF2705-B / DLH2705-B V1
Description	27" TFT LCD, LED Backlight 1000 nits, FHD (1920x1080)
Screen Size	27"
Display Area (mm)	597.9 (H) x 336.3(V)
Brightness	1000 cd/m ²
Resolution	1920x1080
Aspect Ratio	16 : 9
Contrast Ratio	1000 : 1
Pixel Pitch (mm)	0.3114(H) x 0.3114(V)
Pixel Per Inch (PPI)	81
Viewing Angle	178°(H),178°(V)
Color Saturation (NTSC)	82%
Display Colors	16.7M
Response Time (Typical)	14ms
Panel Interface	LVDS
AD Board Input Interface	DVI-I, DP
AD Board Input Power	DC12V
Power Consumption	27.6W, (33.4W with AD Board)
OSD Key	4 Keys (Power Switch, Menu, +, -)
OSD Control	Brightness, Color, Contrast, Auto Turing, H/V Position...etc
Dimensions (mm)	611.5 x 355.8 x 13.5
Bezel Size(U/B/L/R)	4.8/10.7/4.8/4.8 mm
Weight (Net)	3.5kg
Operating Temperature	0 °C ~ 50 °C
Storage Temperature	-20 °C ~ 60 °C

DLF= Panel+ LED Driving Board

DLH= Panel+ LED Driving Board + AD Control Board

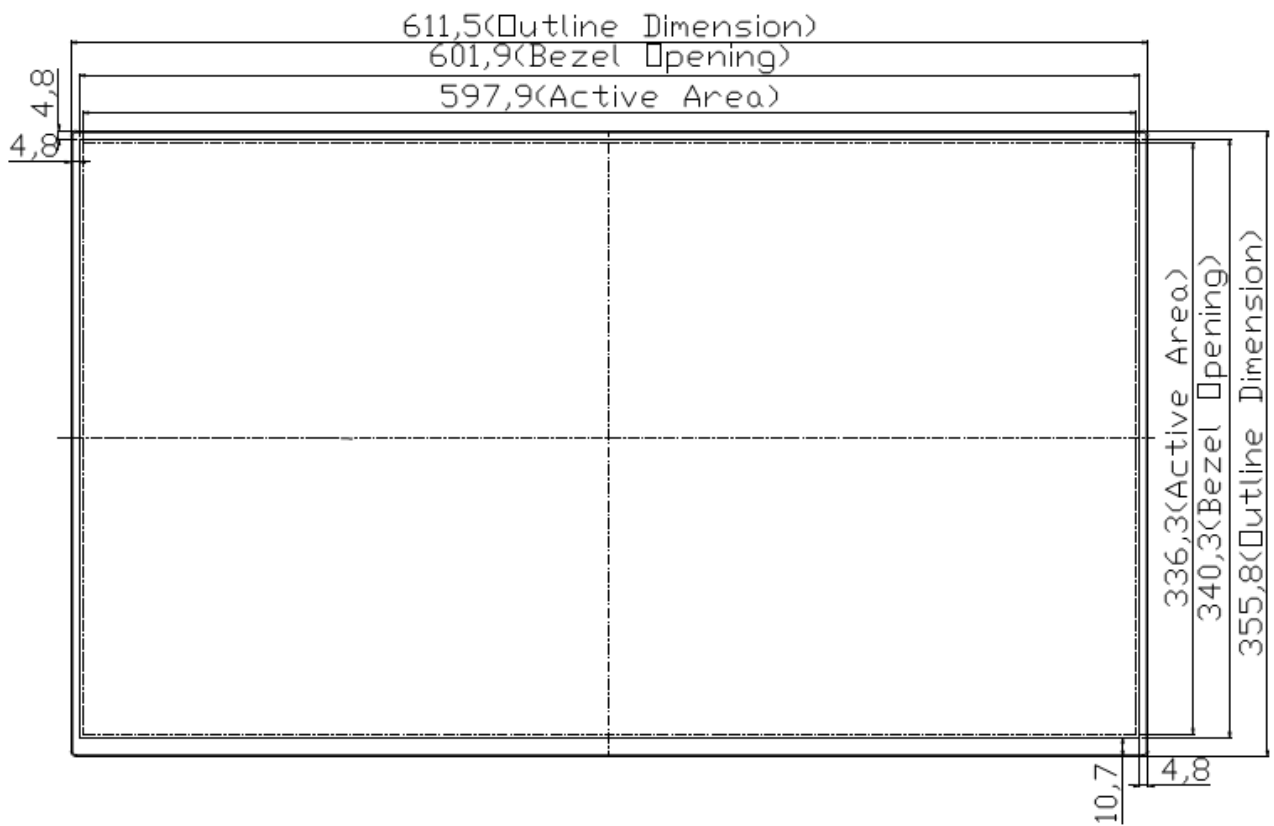
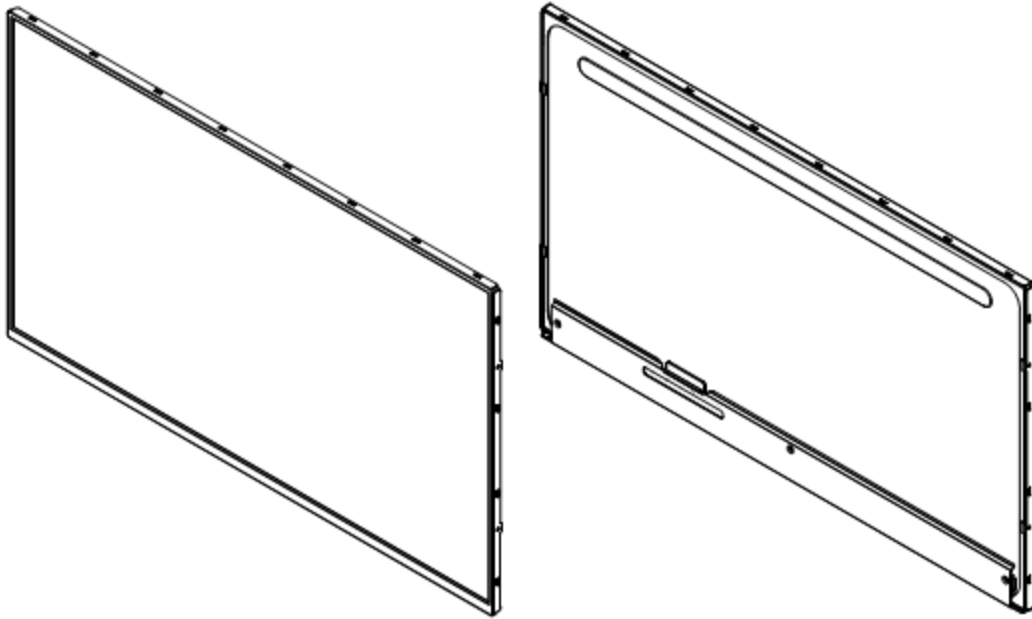
Specifications are subject to change without notice.
 All brands or product names are trademarks or registered trademarks of their respective companies.

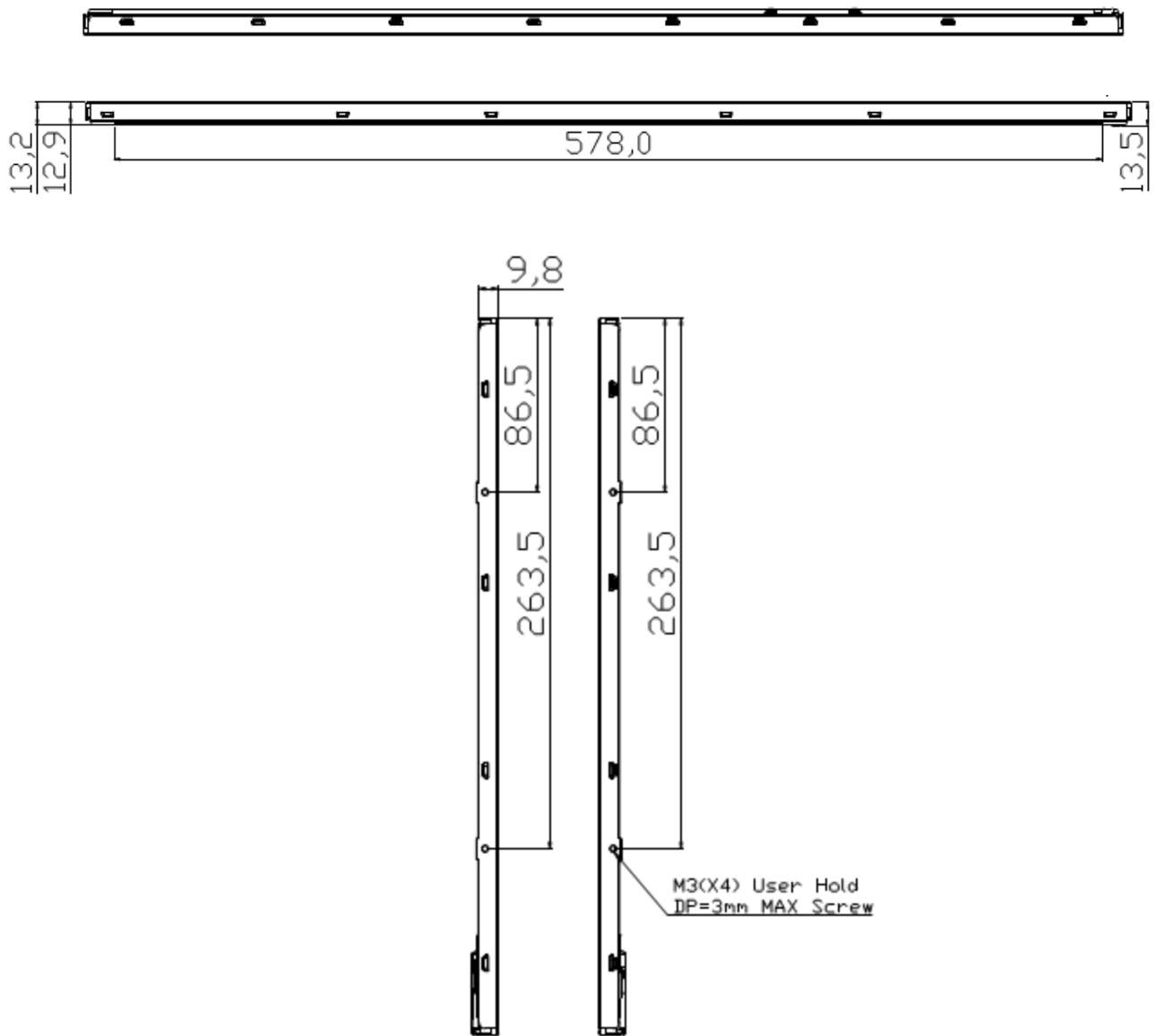


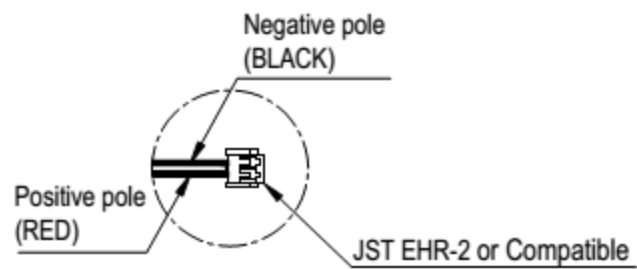
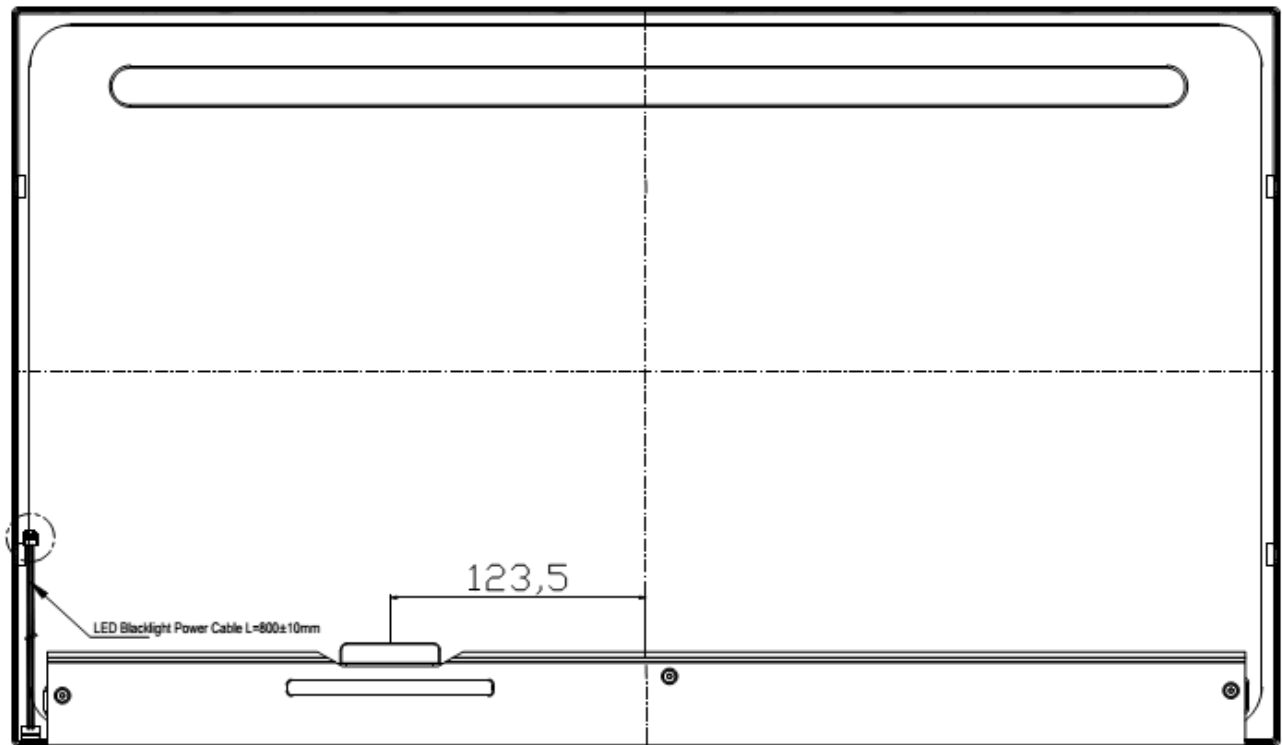
Mechanical Drawing

Outline Dimensions

Unit: mm







Note :

1. THE DIMENSION EXCLUDES DEFORMATION.
2. MODULE THICKNESS TO BE MAX. 13.5mm
3. I/F CONNECTOR TO BE JAE FI-X30HL OR COMPATIBLE
4. M3 USER HOLE SCREW TORQUE 5.0 kgf- cm MAX.



Ordering Information

Part Number	Description
DLF2705-BNN-A01	27",1000nits,FHD,LID27B,5in1,V1
DLH2705-BNN-I01	27",1000nits,FHD,AD6038GDP+LID,DC12V,5in1,V1

Optional Accessories

Part Number	Description
800400806000	CABLE,POWER,80mm,20AWG,3.96mm 4P TO POWER DIN.P
840612051212	ADAPTER,AC/DC,12V/5A,60W.Power-Din-4P,CWT.G99-ABF060F-N022.Efficiency-level-6,R
810618301010	CABLE.POWER.AC.1830mm USA type
810618301090	CABLE,POWER,AC,1830mm Europe type
810618301050	CABLE.POWER.AC.1830mm UK type
810618301170	CABLE.POWER,AC,1830mm Australia type
810618301031	CABLE.POWER.AC.1830mm Japan type

By Customer Request

Touch	PCT (Multi-Touch)
Glass	Tempered glass, AR coating.....