



DLF6500-A/ DLH6500-A V2
65" TFT LCD, 2000 nits LED backlight, UHD(3840x2160)

The DLF/DLH6500-A is a 65 inch industrial grade sunlight readable LCD, with high brightness 2000 nits and high color saturation, it produce sharp images, crisp text and lifelike colors. The Durapixel LED backlight technology ensures high reliability and low power consumption, suitable for outdoor application, kiosk, factory automation, military, transportation and gaming application.

Key Features

- High Brightness: 2000 nits
- Sunlight Readable
- LED Backlight
- Slim Bezel
- BL MTBF: 100,000 hours



Specifications

Model Name	DLF6500-A / DLH6500-A V2
Description	65" TFT LCD, LED Backlight 2000 nits, UHD (3840x2160)
Screen Size	65"
Display Area (mm)	1428.4(H) x 803.52(V)
Brightness	2000 cd/m ²
Resolution	3840 x 2160
Aspect Ratio	16 : 9
Contrast Ratio	4000 : 1
Pixel Pitch (mm)	0.372(H) x 0.372(V)
Pixel Pre Inch (PPI)	67
Viewing Angle	178°(H),178°(V)
Color Saturation (NTSC)	80%
Display Colors	1.07G
Response Time (Typical)	8ms
Panel Interface	V-by-One
AD Board Input Interface	VGA, DVI-D, HDMI, DP
Input Power	AC100~240V
Power Consumption	345W(DLF)/379.5W(DLH WITH ADBOARD/AC POWER)
Dimensions (mm)	1471 x 846 x 54.5
Bezel Size(U/B/L/R)	19.3/19.3/19.3/19.3 mm
Weight (Net)	29.5kg
OSD Key	5 Keys (Power Switch, Menu, +, Exit, -)
OSD Control	Brightness, Color, Contrast, H/V Position...etc
Operating Temperature	0 °C ~ 50 °C
Storage Temperature	-20 °C ~ 60 °C

DLF= Panel+ LED Driving Board

DLH= Panel+ LED Driving Board + AD Control Board

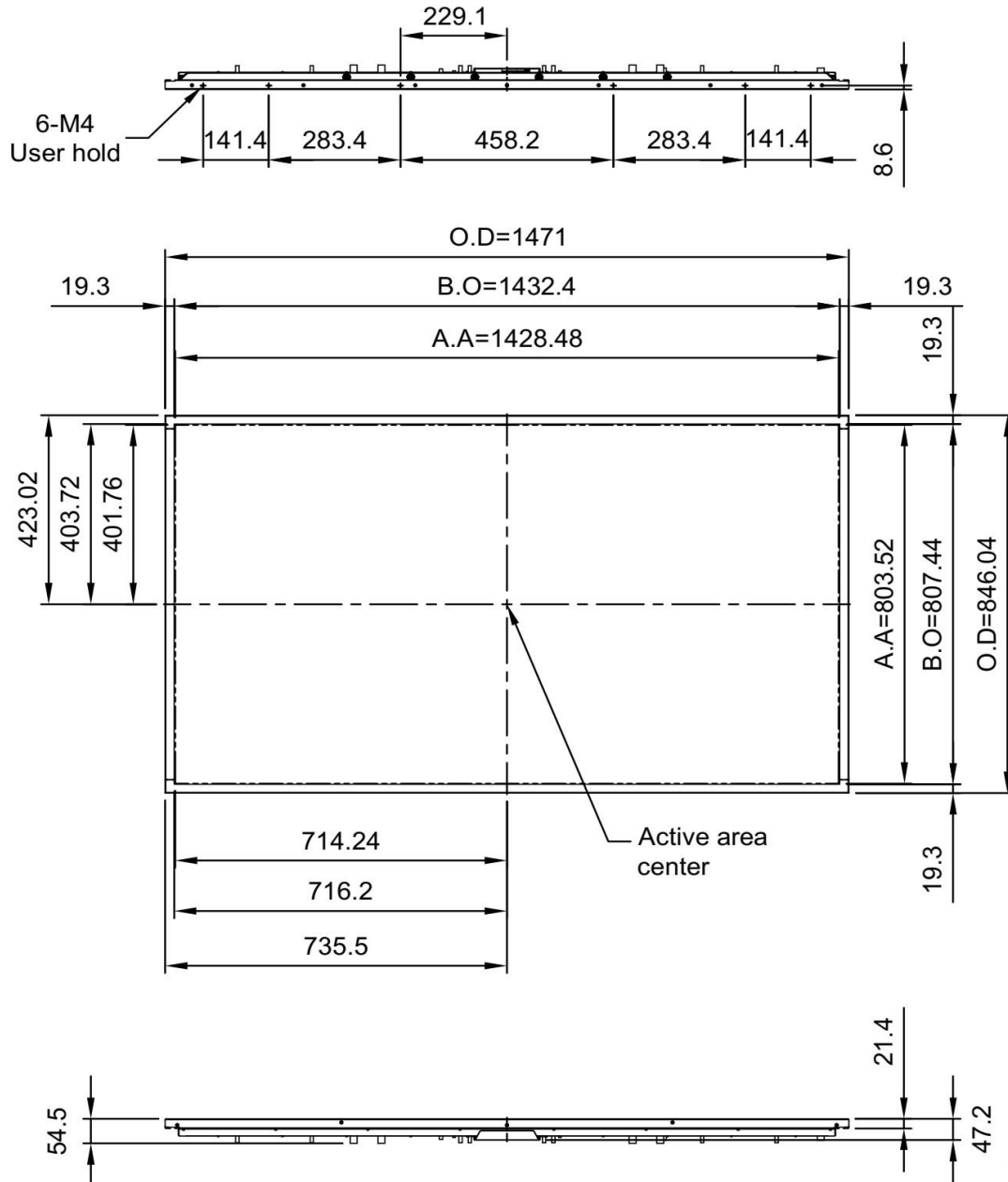
Specifications are subject to change without notice.
 All brands or product names are trademarks or registered trademarks of their respective companies.



Mechanical Drawing

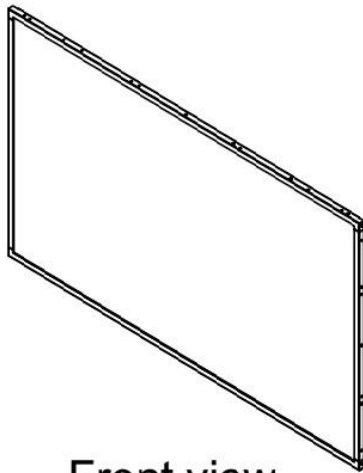
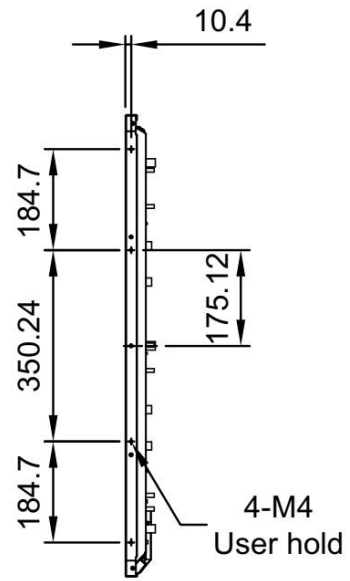
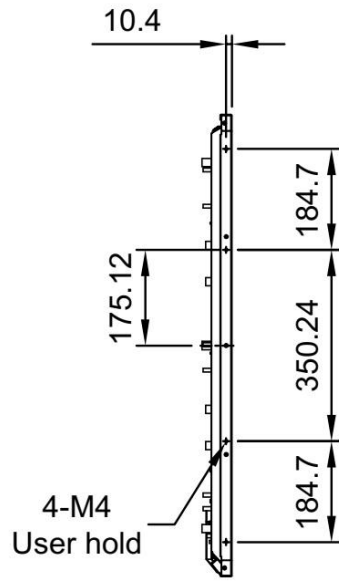
Outline Dimensions

Unit:mm

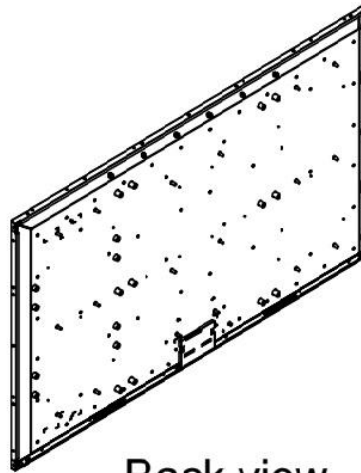


Note :

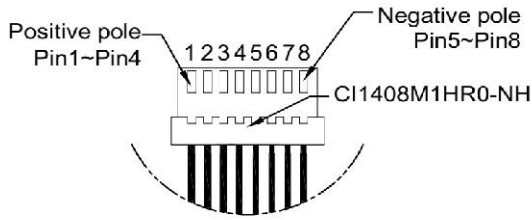
1. O.D : Outline Dimension
2. B.O : Bezel Opening
3. A.A : LCD Active Area
4. General Tolerance : ± 3.0 mm
5. 14-M4 User hole Screw Insertion Depth is 4.0mm MAX.



Front view



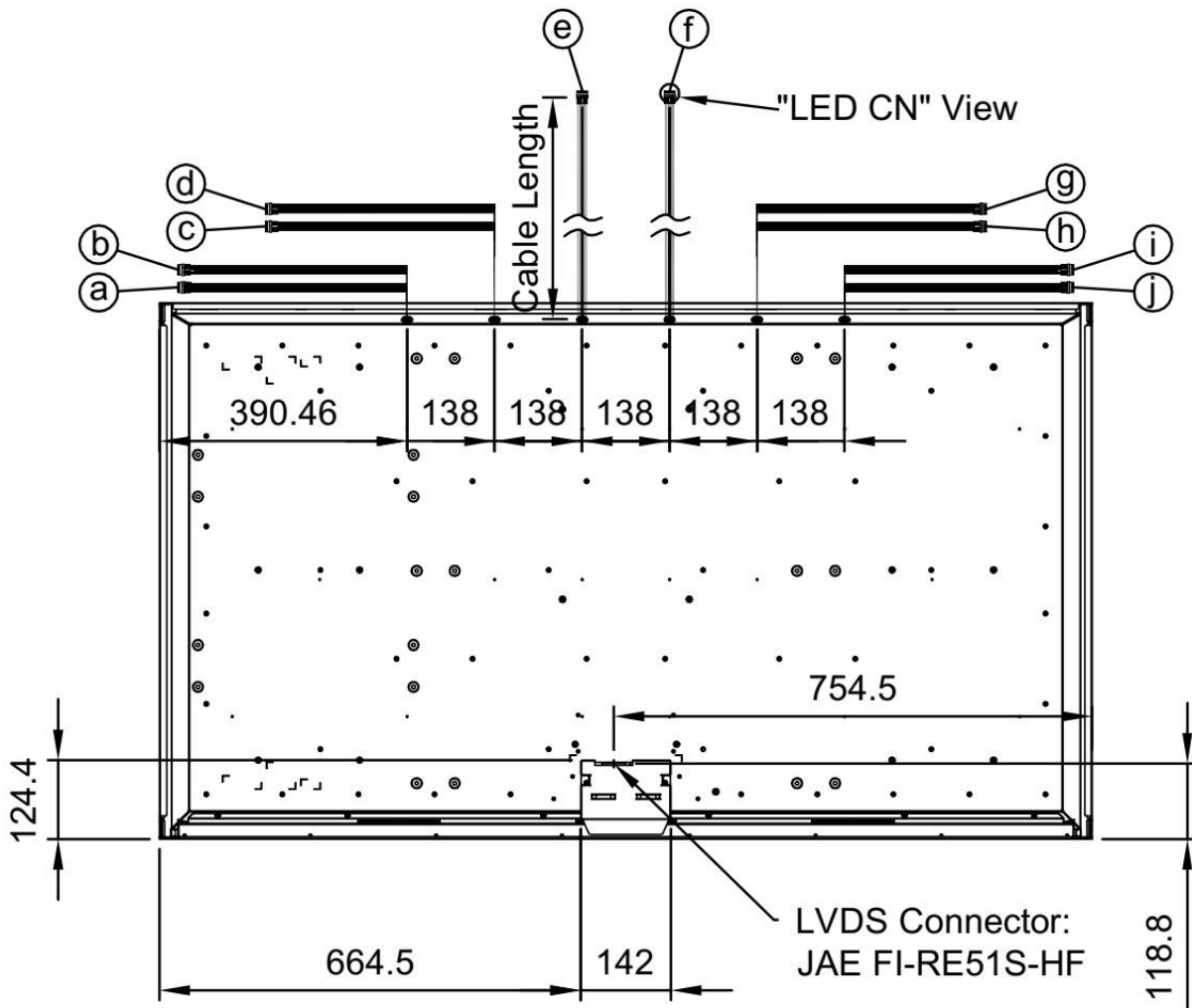
Back view

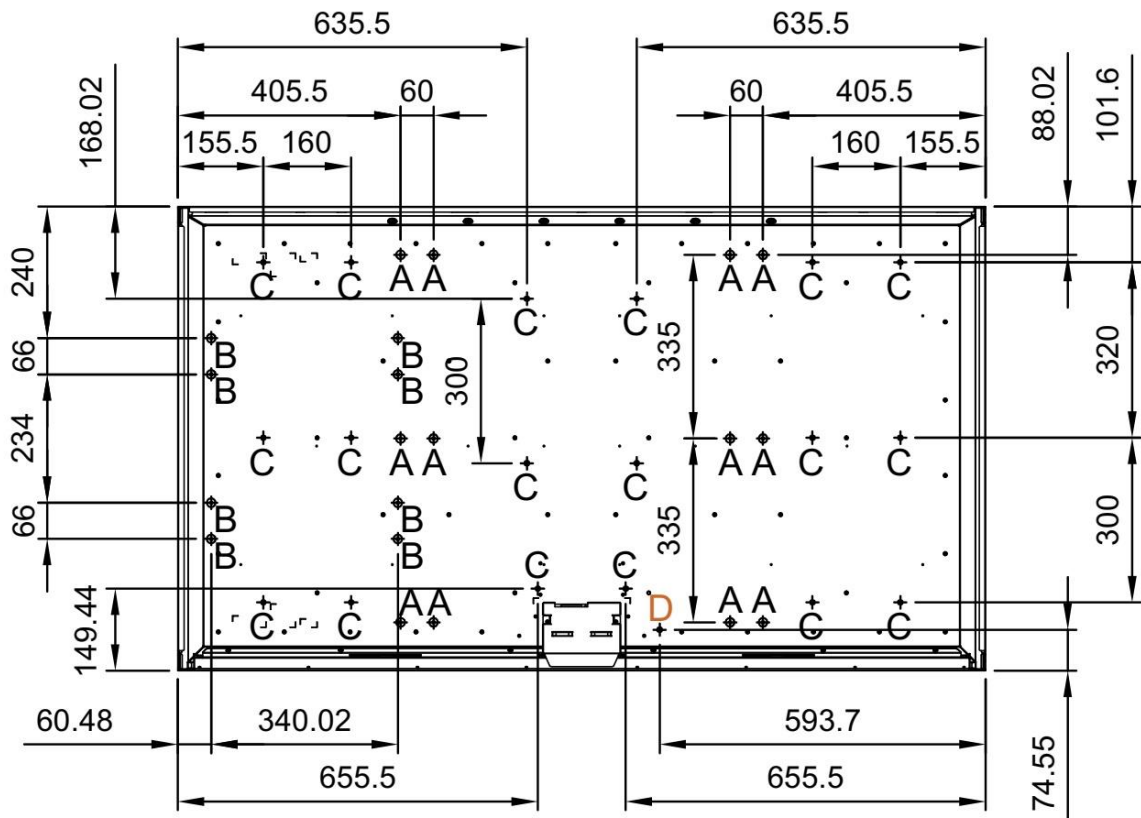


Note : Cable Tolerance : ± 100 mm

ITEM	Cable Length	ITEM	Cable Length
a	760 mm	f	1040 mm
b	900 mm	g	1040 mm
c	900 mm	h	900 mm
d	1040 mm	i	900 mm
e	1040 mm	j	760 mm

"LED CN" view(20:1)





Note :

ITEM	TAP	MAX. DEPTH (mm)
A	M6	17.0
B	M6	10.5
C	M4	15.5
D	M4	8.5



Ordering Information

Part Number	Description
DLF6500-ANU-A11	65",2000nits,3840*2160,LID65A,2in1,V2
DLH6500-ANU-N11	65",2000nits,3840*2160,LID65A,AD2796GDHP,AC100~240V,2in1,V2

Optional Accessories

Part Number	Description
810618301010	CABLE.POWER.AC.1830mm USA type
810618301090	CABLE,POWER,AC,1830mm Europe type
810618301050	CABLE.POWER.AC.1830mm UK type
810618301170	CABLE.POWER,AC,1830mm Australia type
810618301031	CABLE.POWER.AC.1830mm Japan type

Customer request

Touch	PCT (Multi-Touch)
Glass	Tempered glass, AR coating.....