
Datasheet

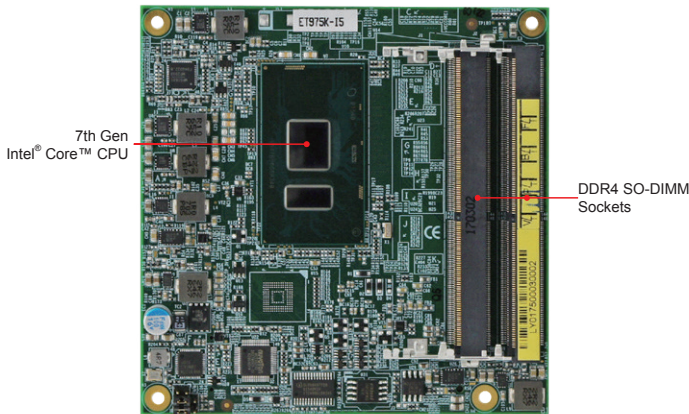
iBASE

ET975

COM Express™ Compact Type 6 Computer-on-Module

with Intel® Core i7/i5/i3 7th Gen. Processor

The information contained in this document has been carefully researched and is, to the best of our knowledge, accurate. However, we assume no liability for any product failures or damages, immediate or consequential, resulting from the use of the information provided herein. Our products are not intended for use in systems in which failures of product could result in personal injury. All trademarks mentioned herein are property of their respective owners. All specifications are subject to change without notice.



Features

- Onboard 7th Gen Intel® Core™ i7/i5/i3 processors
- 2x DDR4 SO-DIMM, Max. 32GB
- Supports 2x DDI port or DDI + VGA
- 1x Intel® PCI-E GbE LAN
- Watchdog timer
- 8x USB 2.0, 4x USB 3.0, 2x COM, 2x SATAIII
- 4x PCI-E(x1), 1x PCI-E(x4)
- Supports TPM (2.0), eMMC5.0 (Optional)

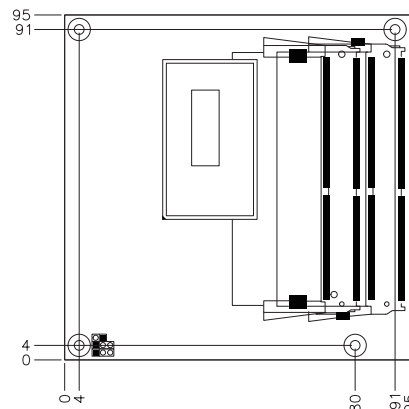
Specifications

| | |
|------------------------|--|
| CPU Type | Onboard 7th Gen Intel® Core™ U-series processors |
| System Memory | 2x DDR4 SO-DIMM, Max. 32GB |
| System Chipset | N/A |
| BIOS | AMI |
| Watchdog Timer | 256 levels |
| SSD | eMMC 5.0 up to 32GB (Optional) |
| H/W Monitor | Yes |
| Expansion Slot | 4x PCI-E(x1), 1x PCI-E(x4) |
| VGA Controller | 7th Gen Intel® Core™ U-series processor integrated graphics, supports DVI, HDMI, DisplayPort, LVDS |
| VGA Memory | Shared memory |
| Display Interface | 24-bit dual channels LVDS on carrier board |
| LAN Controller | Intel® I219LM LAN PHY |
| LAN Connector | 1x RJ-45 on carrier board (IP413) |
| I/O Chipset | Nuvoton NCT5523D on board (supports Tx/Rx only) |
| USB | 4x USB3.0 via baseboard 8x USB2.0 via baseboard |
| Serial ATA | 2x SATA III via carrier board |
| Audio | 7th Gen Intel® Core™ U-series processor built-in HD Audio |
| Others | TPM (2.0) |
| Dimensions | 95mm x 95mm (3.74" x 3.74") |
| Max. Power Requirement | Intel® i7-7600U, 2.8GHz w/8GB DDR4-2133 +12V: 3.47A; +5V: 1.4A +3.3V: 0.33, +5VBS: 0.10A |
| Operating Temperature | -20°C~60°C (-4°F~140°F) |
| Storage Temperature | -20°C~80°C (-4°F~176°F) |
| Relative Humidity | 10% ~ 90% (non-condensing) |

Ordering Information

| | |
|-----------------|---|
| ET975K-i7 | COM Express (Type 6) CPU Module w/ Intel® Core™ i7-7600U, DDR4 dual channel memory, 2x DDI |
| ET975K-i7V | COM Express (Type 6) CPU Module w/ Intel® Core™ i7-7600U, DDR4 dual channel memory, 1x DDI+ 1x VGA |
| ET975K-i7e32 | COM Express (Type 6) CPU Module w/ Intel® Core™ i7-7600U, DDR4 dual channel memory, 2x DDI, eMMC 32GB |
| ET975K-i7Ve32 | COM Express (Type 6) CPU Module w/ Intel® Core™ i7-7600U, DDR4 dual channel memory, 1x DDI+ 1x VGA, eMMC 32GB |
| ET975K-i5 | COM Express (Type 6) CPU Module w/ Intel® Core™ i5-7300U, DDR4 dual channel memory, 2x DDI |
| ET975K-i5V | COM Express (Type 6) CPU Module w/ Intel® Core™ i5-7300U, DDR4 dual channel memory, 1x DDI+1x VGA |
| ET975K-i5e32 | COM Express (Type 6) CPU Module w/ Intel® Core™ i5-7300U, DDR4 dual channel memory, 2x DDI, eMMC 32GB |
| ET975K-i5Ve32 | COM Express (Type 6) CPU Module w/ Intel® Core™ i5-7300U, DDR4 dual channel memory, 1x DDI+1x VGA, eMMC 32GB |
| ET975K-i3 (MOQ) | COM Express (Type 6) CPU Module w/ Intel® Core™ i3-7100U, DDR4 dual channel memory, 2x DDI |
| ET975S-i7 | COM Express (Type 6) CPU Module w/ Intel® Core™ i7-6600U, DDR4 dual channel memory, 2x DDI |
| ET975S-i7V | COM Express (Type 6) CPU Module w/ Intel® Core™ i7-6600U, DDR4 dual channel memory, 1x DDI+1x VGA |
| ET975S-i7e32 | COM Express (Type 6) CPU Module w/ Intel® Core™ i7-6600U, DDR4 dual channel memory, 2x DDI, eMMC 32GB |
| ET975S-i7Ve32 | COM Express (Type 6) CPU Module w/ Intel® Core™ i7-6600U, DDR4 dual channel memory, 1x DDI+1x VGA, eMMC 32GB |
| HSET975-A | Heatsink with Fan for ET975 |
| HSET975-1 | Heat Spreader for ET975 |

Dimensions and Drawing



Our company network supports you worldwide with offices in Germany, Austria, Switzerland, Great Britain and the USA. For more information please contact:

Headquarters

Germany



FORTEC Elektronik AG

Lechwiesenstr. 9
86899 Landsberg am Lech

Phone: +49 8191 91172-0
E-Mail: sales@fortecag.de
Internet: www.fortecag.de

Fortec Group Members

Austria



FORTEC Elektronik AG

Office Vienna

Nuschinggasse 12
1230 Wien

Phone: +43 1 8673492-0
E-Mail: office@fortec.at
Internet: www.fortec.at

Germany



Distec GmbH

Augsburger Str. 2b
82110 Germering

Phone: +49 89 894363-0
E-Mail: info@distec.de
Internet: www.distec.de

Switzerland



ALTRAC AG

Bahnhofstraße 3
5436 Würenlos

Phone: +41 44 7446111
E-Mail: info@altrac.ch
Internet: www.altrac.ch

United Kingdom



Display Technology Ltd.

5 The Oaks Business Village
Revenge Road, Lordswood
Chatham, Kent, ME5 8LF

Phone: +44 1634 672755
E-Mail: info@displaytechnology.co.uk
Internet: www.displaytechnology.co.uk

USA



Apollo Display Technologies, Corp.

87 Raynor Avenue,
Unit 1 Ronkonkoma,
NY 11779

Phone: +1 631 5804360
E-Mail: info@apolloDisplays.com
Internet: www.apolloDisplays.com