



OUR GLOBAL  
COMPETENCE  
CENTRES

 APOLLO DISPLAY  
TECHNOLOGIES



 DISTEC



 DISPLAY  
TECHNOLOGY



# Datasheet

## InnoLux

**G070Y2-L01 Rev.C7**

CH-01-023R1.3



**CONTENTS**

<b>1. GENERAL DESCRIPTION .....</b>	<b>5</b>
1.1 OVERVIEW .....	5
1.2 FEATURES.....	5
1.3 APPLICATION .....	5
1.4 GENERAL SPECIFICATIONS .....	5
1.5 MECHANICAL SPECIFICATIONS.....	6
<b>2. ABSOLUTE MAXIMUM RATINGS .....</b>	<b>7</b>
2.1 ABSOLUTE RATINGS OF ENVIRONMENT.....	7
2.2 ELECTRICAL ABSOLUTE RATINGS .....	8
2.2.1 TFT LCD MODULE .....	8
2.2.2 LED CONVERTER.....	8
<b>3. ELECTRICAL CHARACTERISTICS .....</b>	<b>9</b>
3.1 RECOMMENDED OPERATION CONDITION .....	9
3.2 BACKLIGHT UNIT .....	10
<b>4. BLOCK DIAGRAM .....</b>	<b>12</b>
4.1 TFT LCD MODULE.....	12
<b>5. INPUT TERMINAL PIN ASSIGNMENT .....</b>	<b>13</b>
5.1 LVDS I/O PIN ASSIGNMENT .....	13
5.2 BACKLIGHT PIN ASSIGNMENT (Converter connector pin).....	13
5.3 SCANNING DIRECTION .....	14
5.4 COLOR DATA INPUT ASSIGNMENT .....	16
<b>6. INTERFACE TIMING .....</b>	<b>18</b>
6.1 TIMING CHARACTERISTICS .....	18
6.2 LVDS INPUT DATA FORMAT .....	19
6.3 POWER ON/OFF SEQUENCE.....	20
<b>7. OPTICAL CHARACTERISTICS .....</b>	<b>22</b>
7.1 TEST CONDITIONS .....	22
7.2 OPTICAL SPECIFICATIONS.....	22
<b>8. RELIABILITY TEST .....</b>	<b>25</b>
8.1 RELIABILITY TEST CONDITION .....	25
<b>9. PACKAGING.....</b>	<b>26</b>
9.1 PACKING METHOD .....	26
9.2 UN-PACKING METHOD.....	27
<b>10. DEFINITION OF LABELS.....</b>	<b>28</b>
10.1 INNOLUX MODULE LABEL .....	28

<b>11. PRECAUTIONS .....</b>	<b>29</b>
11.1 ASSEMBLY AND HANDLING PRECAUTIONS.....	29
11.2 SAFETY PRECAUTIONS .....	29
<b>12. MECHANICAL CHARACTERISTICS .....</b>	<b>30</b>

## REVISION HISTORY

Version	Date	Page	Description
Ver 2.0	Oct. 30, '09	All	G070Y2-L01 Approval specification was first issued.
Ver 2.1	May.13, 10	1.4	Module Power Consumption from 3.56 W to 3.71 W
		3.2	Converter Power Supply Current from 0.25A to 0.263mA Converter Power Consumption from 3W to 3.15W Note(2) $I_L = 60 \text{ mA}$ (Per EA) change to $I_L = 55 \text{ mA}$ (Per EA)
		7.1	TEST CONDITIONS Current from $60 \pm 4 \text{ mA}$ to $55 \pm 3 \text{ mA}$
		1.4	Module Power consumption 3.71W ->4.04W
Ver 2.2	Sep. 9, 10	3.1	Power Supply Current White 140mA -> 250mA Black 170mA -> 270mA
		3.2	Add Note(3)
		6.1	Clock Frequency $1/T_{\text{clock}}$ : Min. 27 MHz -> 28 MHz Max. 33 MHz -> 32MHz
Ver 2.3	Dec. 1, 10	2.2.2	Enable Voltage Max. from 4 to 5 Backlight Adjust Max. from 3.3 to 5
Ver 2.4	Aug. 23, 10	3.2	EN Control Level / Backlight on max. from 3.3 to 5 PWM Control Level / PWM High Level max. from 3.3 to 5 PWM Control Duty Ratio min. from 20 to 10 PWM Control Frequency min. from 190 to 100 max. from 210 to 300
Ver 2.5	Dec. 21,15	All	Change CHIMEI INNOLUX Logo to INNOLUX
		2.1	Modify Note(2) Add Note (4).
		5.3	Add UD & LR signal
		6.1	Add Note(3).
		8	Add Note(5)~(6)
		9.2	Add UN-PACKING METHOD
		10.1	Update Module label define
		12	Add Mechanical 2D Outline
Ver 2.6	Feb.19,16	1.3	Module Power Consumption from 4.04W to 3.8W
		3.2	Converter Power Supply Current Typ.Value from 0.263A to 0.24mA Converter Power Consumption Typ. Value from 3.15W to 2.8W
Ver 2.7	Jun.24,16	3.2	Note(2) $I_L = 55 \text{ mA}$ (Per EA) change to $I_L = 50 \text{ mA}$ (Per EA)
		7.1	Current from $55 \pm 3 \text{ mA}$ to $50 \pm 3 \text{ mA}$
Ver2.8	Sep.2, 16	6.2	Add 6bit FRC remark "(RX3+/RX3-:floating)"
		7.2	Add measurement method remark "all items are measured at the center point of screen except white variation."
Ver2.9	Aug.15,17	5.1	Modify pin5 GND->NC
Ver3.0	Nov 21,18	All	Change Reversion from C6 to C7

## 1. GENERAL DESCRIPTION

### 1.1 OVERVIEW

G070Y2-L01 is a 7inch IAV TFT Liquid Crystal Display module with a LED backlight unit and a-20pin 6/8bit LVDS interface controller board. The converter for the LED Backlight Unit is built in. This module supports 800 (R.G.B) x 480 WVGA mode which main application is the automotive display and industrial field.

### 1.2 FEATURES

- Wide viewing angle.
- Fast response time
- Wide operating temperature
- Reversible scan function
- 6/8 bit convertible
- High Color gamut ( NTSC : 72% )

### 1.3 APPLICATION

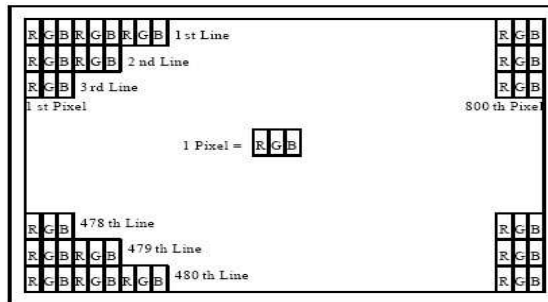
- Automotive Display
- Industry Application

### 1.4 GENERAL SPECIFICATIONS

Item	Specification	Unit	Note
Diagonal Size	7	inch	
Active Area	152.4x91.44	mm	(1)
Bezel Opening Area	154.6x93.64	mm	
Driver Element	a-si TFT active matrix	-	-
Pixel Number	800 x R.G.B. x 480	pixel	-
Pixel Pitch	0.1905 x 0.1905	mm	-
Pixel Arrangement	RGB vertical stripe	-	(2)
Display Colors	262k or 16.2M	color	-
Display Mode	Normal White	-	-
Surface Treatment	Anti-glare, Hard Coating ( 3H )	-	-
Module Power Consumption	3.8	W	Typ.

Note (1) Please refer to the attached drawings for more information of front and back outline dimensions.

Note (2)



## 1.5 MECHANICAL SPECIFICATIONS

Item		Min.	Typ.	Max.	Unit	Note
Module Size	Horizontal (H)	164.3	165	165.3	mm	(1)
	Vertical (V)	103.3	104	104.3	mm	
	Depth (D)	9.03	9.53	10.03	mm	
Weight			147	162	g	

Note (1) Please refer to the attached drawings for more information of front and back outline dimensions.



**2. ABSOLUTE MAXIMUM RATINGS**

**2.1 ABSOLUTE RATINGS OF ENVIRONMENT**

Item	Symbol	Value		Unit	Note
		Min.	Max.		
Operating Ambient Temperature	T <sub>OP</sub>	-30	+85	°C	
Storage Temperature	T <sub>ST</sub>	-40	+95	°C	

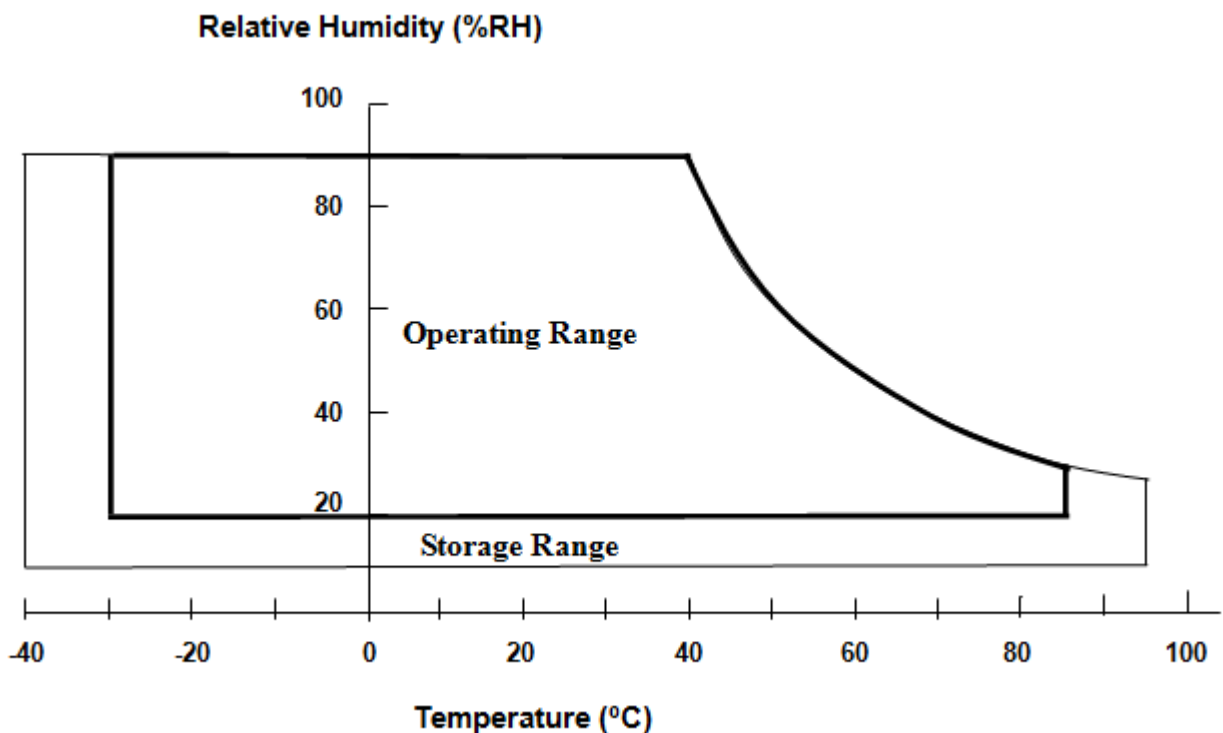
Note (1) Temperature and relative humidity range is shown in the figure below.

(2) Wet-bulb temperature should be 39 °C Max..

(3) No condensation.

(4) The absolute maximum rating values of this product are not allowed to be exceeded at any times.

The module should not be used over the absolute maximum rating value. It will cause permanently unrecoverable function fail in such an condition.



## 2.2 ELECTRICAL ABSOLUTE RATINGS

### 2.2.1 TFT LCD MODULE

Item	Symbol	Value		Unit	Note
		Min.	Max.		
Power Supply Voltage	Vcc	-0.3	4	V	(1)

### 2.2.2 LED CONVERTER

Item	Symbol	Value		Unit	Note
		Min.	Max.		
Converter Voltage	$V_i$	-0.3	18	V	(1), (2)
Enable Voltage	EN	---	5	V	
Backlight Adjust	ADJ	---	5	V	

Note (1) Permanent damage to the device may occur if maximum values are exceeded. Function operation should be restricted to the conditions described under Normal Operating Conditions.

Note (2) Specified values are for LED converter (Refer to 3.2 for further information).

3. ELECTRICAL CHARACTERISTICS

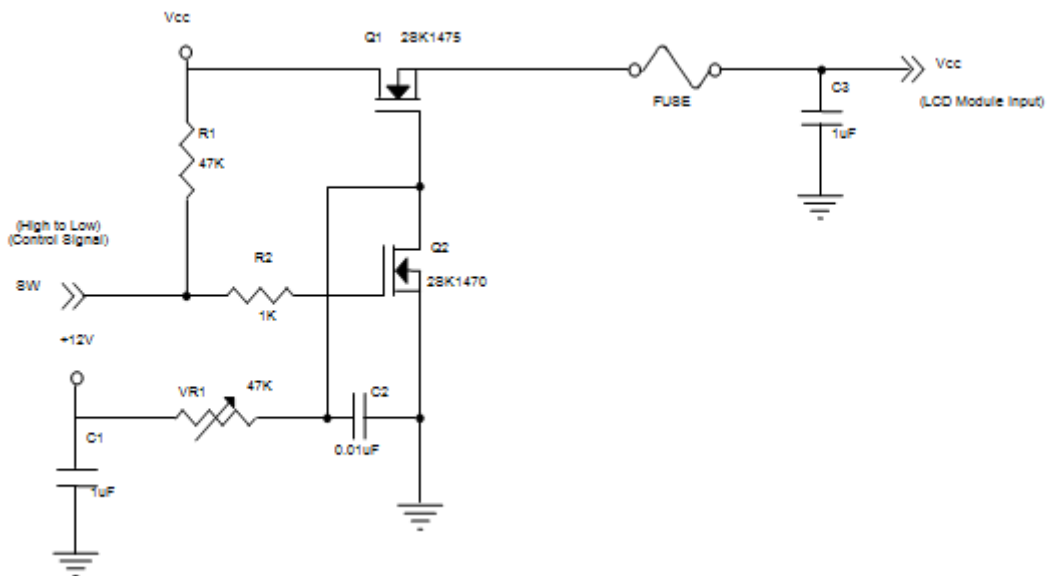
3.1 RECOMMENDED OPERATION CONDITION

Ta = 25 ± 2 °C

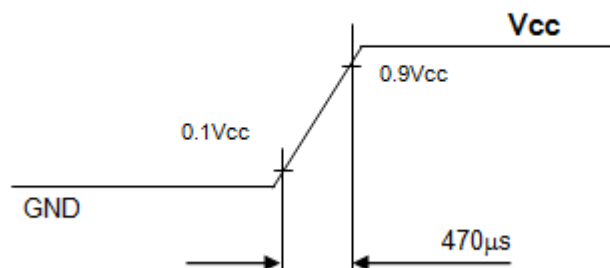
Parameter	Symbol	Value			Unit	Note
		Min.	Typ.	Max.		
Power Supply Voltage	V <sub>CC</sub>	3.0	3.3	3.6	V	(1)
Rush Current	I <sub>RUSH</sub>			1.5	A	(2)
Power Supply Current	White		140	168	mA	(3)a
	Black		170	204	mA	(3)b
LVDS Differential Input High Threshold	V <sub>TH(LVDS)</sub>			100	mV	-
LVDS Differential Input Low Threshold	V <sub>TL(LVDS)</sub>	-100			mV	-
LVDS Common Mode Voltage	V <sub>CM</sub>		1.2		V	-

Note (1) The assembly should be always operated within above ranges.

Note (2) Measurement Conditions:



**Vcc rising time is 470µs**



Note (3) The specified power supply current is under the conditions at  $V_{CC} = 3.3V$ ,  $T_a = 25 \pm 2^\circ C$ ,  $f_v = 60$  Hz, whereas a power dissipation check pattern below is displayed.

a. White Pattern



Active Area

b. Black Pattern



Active Area

### 3.2 BACKLIGHT UNIT

$T_a = 25 \pm 2^\circ C$

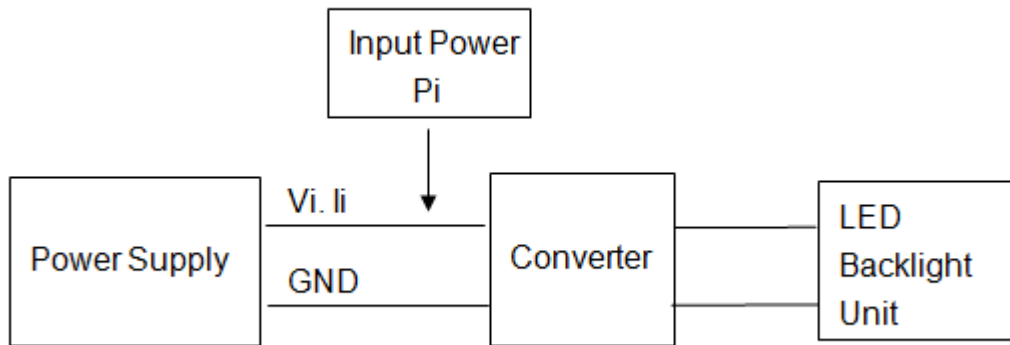
Parameter	Symbol	Value			Unit	Note
		Min.	Typ.	Max.		
Converter Power Supply Voltage	$V_i$	10.8	12.0	13.2	V	
Converter Power Supply Current	$I_i$	---	0.24	---	A	@ $V_i = 12V$ (Duty 100%)
Converter Power Consumption	$P_{LED}$	---	2.8	---	W	@ $V_i = 12V$ (Duty 100%)
EN Control Level	Backlight on	2.0	---	5	V	
	Backlight off	0	---	0.8	V	
PWM Control Level	PWM High Level	2.0	---	5	V	
	PWM Low Level	0	---	0.15	V	
PWM Control Duty Ratio		10		100	%	
PWM Control Frequency	$f_{PWM}$	100	200	300	Hz	
LED Life Time	$L_L$	50,000			Hrs	(2)

Note (1) LED current is measured by utilizing a high frequency current meter as shown below:

Note (2) The lifetime of LED is defined as the time when it continues to operate under the conditions at

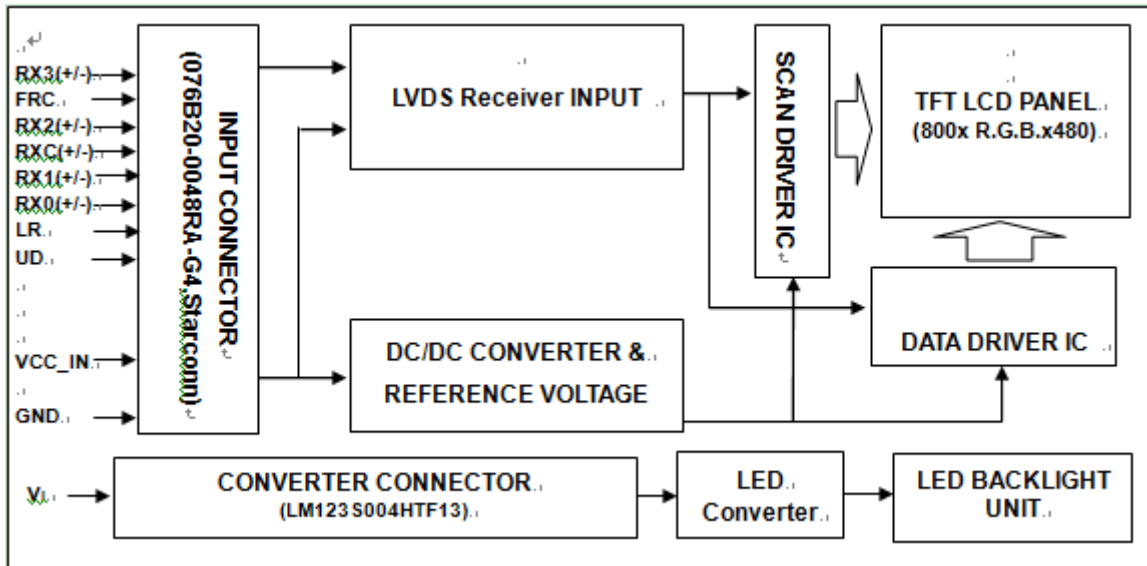
$T_a = 25 \pm 2^\circ C$  and  $I_{LED} = 50mA_{DC}$  (LED forward current) until the brightness becomes  $\leq 50\%$  of its original value.

Note (3) Please note that LED life will be shorter than the average life described in the specification if operate in higher ambient temperature.



4. BLOCK DIAGRAM

4.1 TFT LCD MODULE



## 5. INPUT TERMINAL PIN ASSIGNMENT

### 5.1 LVDS I/O PIN ASSIGNMENT

Pin	Name	I/O	Description
1	RX3+	I	LVDS differential data input Pair 3.
2	RX3-	I	
3	NC	I	No Connected
4	FRC	I	Dithering control setting When FRC=H, the width of data input 8 bits When FRC=L, the width of data input 6 bits (Default pull low)
5	NC	I	No Connected
6	RXC+	I	LVDS differential Clock input Pair
7	RXC-	I	
8	GND	I	Ground
9	RX2+	I	LVDS differential data input Pair 2
10	RX2-	I	
11	GND	I	Ground
12	RX1+	I	LVDS differential data input Pair 1
13	RX1-	I	
14	GND	I	Ground
15	RX0+	I	LVDS differential data input Pair 0
16	RX0-	I	
17	LR	I	Shift direction of Source Driver IC internal shift register is controlled by this pin as show below: LR=H SO1 → .....SO1200 (Default pull high) LR=L SO1200 → .....SO1
18	UD	I	Gate Driver Up/down scan setting When UD=H, reverse scan When UD=L, normal scan (Default pull low)
19	VCC_IN	I	Digital power supply (+3.3V)
20	VCC_IN	I	Digital power supply (+3.3V)

Note (1) Connector Part No.: 076B20-0048RA-G4, Starconn or equivalent

### 5.2 BACKLIGHT PIN ASSIGNMENT (Converter connector pin)

No	Symbol	I/O	Description
1	Vi	I	Converter input voltage
2	ADJ	I	Backlight Adjust
3	EN	I	Enable pin
4	V <sub>GND</sub>		Converter ground

Note (1) Connector Part No: LM123S004HTF13,4 PIN, UNE

**5.3 SCANNING DIRECTION**

The following figures show the image see from the front view. The arrow indicates the direction of scan.

**Fig.1 Normal Scan**



**Fig.2 Reverse Scan**



**Fig.3 Reverse Scan**



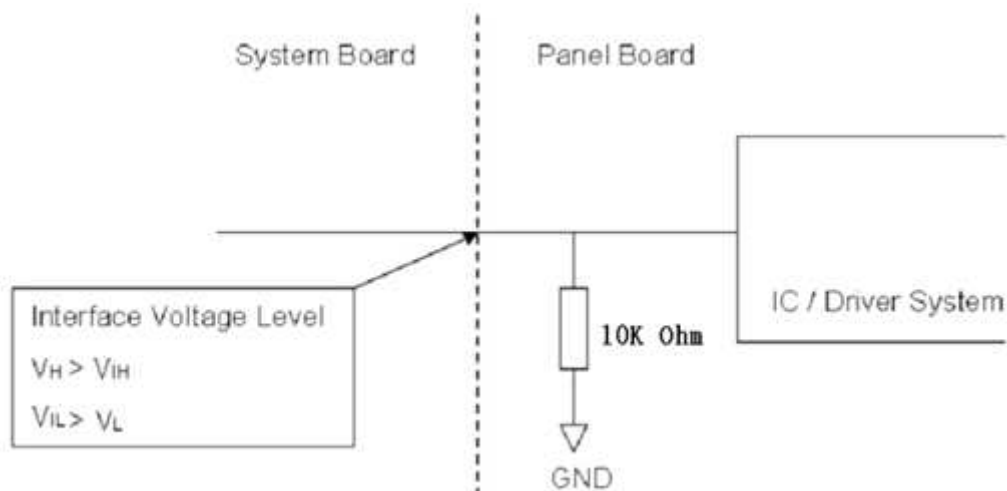
**Fig.4 Reverse Scan**



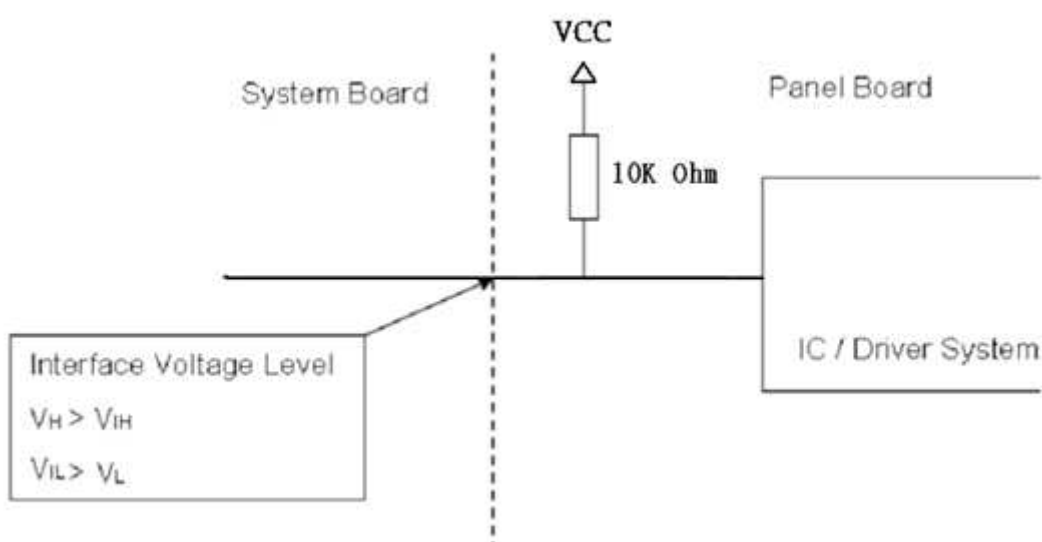
- Fig. 1 Normal scan ( pin 17, LR = High ; pin 18, UD = Low )
- Fig. 2 Reverse scan ( pin 17, LR = Low ; pin 18, UD = Low )
- Fig. 3 Reverse scan ( pin 17, LR = High ; pin 18, UD = High )
- Fig. 4 Reverse scan ( pin 17, LR = Low ; pin 18, UD = High )



UD Signal



LR Signal



**5.4 COLOR DATA INPUT ASSIGNMENT**

The brightness of each primary color (red, green and blue) is based on the 6-bit gray scale data input for the color. The higher the binary input, the brighter the color. The table below provides the assignment of color versus data input. ( 0: Low Level Voltage, 1: High Level Voltage)

Color		Data Signal																	
		Red						Green						Blue					
		R5	R4	R3	R2	R1	R0	G5	G4	G3	G2	G1	G0	B5	B4	B3	B2	B1	B0
Basic Colors	Black	0	0	0	0	0	0	0	0	0	0	0	0	0	0	0	0	0	0
	Red	1	1	1	1	1	1	0	0	0	0	0	0	0	0	0	0	0	0
	Green	0	0	0	0	0	0	1	1	1	1	1	1	0	0	0	0	0	0
	Blue	0	0	0	0	0	0	0	0	0	0	0	0	1	1	1	1	1	1
	Cyan	0	0	0	0	0	0	1	1	1	1	1	1	1	1	1	1	1	1
	Magenta	1	1	1	1	1	1	0	0	0	0	0	0	0	1	1	1	1	1
	Yellow	1	1	1	1	1	1	1	1	1	1	1	1	0	0	0	0	0	0
	White	1	1	1	1	1	1	1	1	1	1	1	1	1	1	1	1	1	1
Gray Scale Of Red	Red(0) / Dark	0	0	0	0	0	0	0	0	0	0	0	0	0	0	0	0	0	0
	Red(1)	0	0	0	0	0	1	0	0	0	0	0	0	0	0	0	0	0	0
	Red(2)	0	0	0	0	1	0	0	0	0	0	0	0	0	0	0	0	0	0
	⋮	⋮	⋮	⋮	⋮	⋮	⋮	⋮	⋮	⋮	⋮	⋮	⋮	⋮	⋮	⋮	⋮	⋮	⋮
	⋮	⋮	⋮	⋮	⋮	⋮	⋮	⋮	⋮	⋮	⋮	⋮	⋮	⋮	⋮	⋮	⋮	⋮	⋮
	Red(61)	1	1	1	1	0	1	0	0	0	0	0	0	0	0	0	0	0	0
	Red(62)	1	1	1	1	1	0	0	0	0	0	0	0	0	0	0	0	0	0
	Red(63)	1	1	1	1	1	1	0	0	0	0	0	0	0	0	0	0	0	0
Gray Scale Of Green	Green(0) / Dark	0	0	0	0	0	0	0	0	0	0	0	0	0	0	0	0	0	0
	Green(1)	0	0	0	0	0	0	0	0	0	0	0	1	0	0	0	0	0	0
	Green(2)	0	0	0	0	0	0	0	0	0	0	1	0	0	0	0	0	0	0
	⋮	⋮	⋮	⋮	⋮	⋮	⋮	⋮	⋮	⋮	⋮	⋮	⋮	⋮	⋮	⋮	⋮	⋮	⋮
	⋮	⋮	⋮	⋮	⋮	⋮	⋮	⋮	⋮	⋮	⋮	⋮	⋮	⋮	⋮	⋮	⋮	⋮	⋮
	Green(61)	0	0	0	0	0	0	1	1	1	1	0	1	0	0	0	0	0	0
	Green(62)	0	0	0	0	0	0	1	1	1	1	1	0	0	0	0	0	0	0
	Green(63)	0	0	0	0	0	0	1	1	1	1	1	1	0	0	0	0	0	0
Gray Scale Of Blue	Blue(0) / Dark	0	0	0	0	0	0	0	0	0	0	0	0	0	0	0	0	0	0
	Blue(1)	0	0	0	0	0	0	0	0	0	0	0	0	0	0	0	0	0	1
	Blue(2)	0	0	0	0	0	0	0	0	0	0	0	0	0	0	0	0	1	0
	⋮	⋮	⋮	⋮	⋮	⋮	⋮	⋮	⋮	⋮	⋮	⋮	⋮	⋮	⋮	⋮	⋮	⋮	⋮
	⋮	⋮	⋮	⋮	⋮	⋮	⋮	⋮	⋮	⋮	⋮	⋮	⋮	⋮	⋮	⋮	⋮	⋮	⋮
	Blue(61)	0	0	0	0	0	0	0	0	0	0	0	0	1	1	1	1	0	1
	Blue(62)	0	0	0	0	0	0	0	0	0	0	0	0	1	1	1	1	1	0
	Blue(63)	0	0	0	0	0	0	0	0	0	0	0	0	1	1	1	1	1	1

The brightness of each primary color (red, green and blue) is based on the 8-bit gray scale data input for the color. The higher the binary input, the brighter the color. The table below provides the assignment of color versus data input.

( 0: Low Level Voltage, 1: High Level Voltage)

Color		Data Signal																							
		Red								Green								Blue							
		R7	R6	R5	R4	R3	R2	R1	R0	G7	G6	G5	G4	G3	G2	G1	G0	B7	B6	B5	B4	B3	B2	B1	B0
Basic Colors	Black	0	0	0	0	0	0	0	0	0	0	0	0	0	0	0	0	0	0	0	0	0	0	0	
	Red	1	1	1	1	1	1	1	1	0	0	0	0	0	0	0	0	0	0	0	0	0	0	0	
	Green	0	0	0	0	0	0	0	0	1	1	1	1	1	1	1	1	0	0	0	0	0	0	0	
	Blue	0	0	0	0	0	0	0	0	0	0	0	0	0	0	0	0	1	1	1	1	1	1	1	
	Cyan	0	0	0	0	0	0	0	0	1	1	1	1	1	1	1	1	1	1	1	1	1	1	1	
	Magenta	1	1	1	1	1	1	1	1	0	0	0	0	0	0	0	0	1	1	1	1	1	1	1	
	Yellow	1	1	1	1	1	1	1	1	1	1	1	1	1	1	1	1	0	0	0	0	0	0	0	
	White	1	1	1	1	1	1	1	1	1	1	1	1	1	1	1	1	1	1	1	1	1	1	1	
Gray Scale Of Red	Red(0) / Dark	0	0	0	0	0	0	0	0	0	0	0	0	0	0	0	0	0	0	0	0	0	0		
	Red(1)	0	0	0	0	0	0	0	1	0	0	0	0	0	0	0	0	0	0	0	0	0	0		
	Red(2)	0	0	0	0	0	0	1	0	0	0	0	0	0	0	0	0	0	0	0	0	0	0		
	⋮	⋮	⋮	⋮	⋮	⋮	⋮	⋮	⋮	⋮	⋮	⋮	⋮	⋮	⋮	⋮	⋮	⋮	⋮	⋮	⋮	⋮	⋮		
	Red(253)	1	1	1	1	1	1	0	1	0	0	0	0	0	0	0	0	0	0	0	0	0	0		
	Red(254)	1	1	1	1	1	1	1	0	0	0	0	0	0	0	0	0	0	0	0	0	0	0		
	Red(255)	1	1	1	1	1	1	1	0	0	0	0	0	0	0	0	0	0	0	0	0	0	0		
	Gray Scale Of Green	Green(0) / Dark	0	0	0	0	0	0	0	0	0	0	0	0	0	0	0	0	0	0	0	0	0	0	
Green(1)		0	0	0	0	0	0	0	0	0	0	0	0	0	0	1	0	0	0	0	0	0	0		
Green(2)		0	0	0	0	0	0	0	0	0	0	0	0	0	1	0	0	0	0	0	0	0	0		
⋮		⋮	⋮	⋮	⋮	⋮	⋮	⋮	⋮	⋮	⋮	⋮	⋮	⋮	⋮	⋮	⋮	⋮	⋮	⋮	⋮	⋮	⋮		
Green(253)		0	0	0	0	0	0	0	1	1	1	1	1	1	0	1	0	0	0	0	0	0	0		
Green(254)		0	0	0	0	0	0	0	1	1	1	1	1	1	1	0	0	0	0	0	0	0	0		
Green(255)		0	0	0	0	0	0	0	1	1	1	1	1	1	1	0	0	0	0	0	0	0	0		
Gray Scale Of Blue		Blue(0) / Dark	0	0	0	0	0	0	0	0	0	0	0	0	0	0	0	0	0	0	0	0	0	0	
	Blue(1)	0	0	0	0	0	0	0	0	0	0	0	0	0	0	0	0	0	0	0	0	0	1		
	Blue(2)	0	0	0	0	0	0	0	0	0	0	0	0	0	0	0	0	0	0	0	0	0	1		
	⋮	⋮	⋮	⋮	⋮	⋮	⋮	⋮	⋮	⋮	⋮	⋮	⋮	⋮	⋮	⋮	⋮	⋮	⋮	⋮	⋮	⋮	⋮		
	Blue(253)	0	0	0	0	0	0	0	0	0	0	0	0	0	0	0	1	1	1	1	1	1	0		
	Blue(254)	0	0	0	0	0	0	0	0	0	0	0	0	0	0	0	1	1	1	1	1	1	0		
	Blue(255)	0	0	0	0	0	0	0	0	0	0	0	0	0	0	1	1	1	1	1	1	1	1		

**6. INTERFACE TIMING**

**6.1 TIMING CHARACTERISTICS**

The input signal timing specifications are shown as the following table and timing diagram

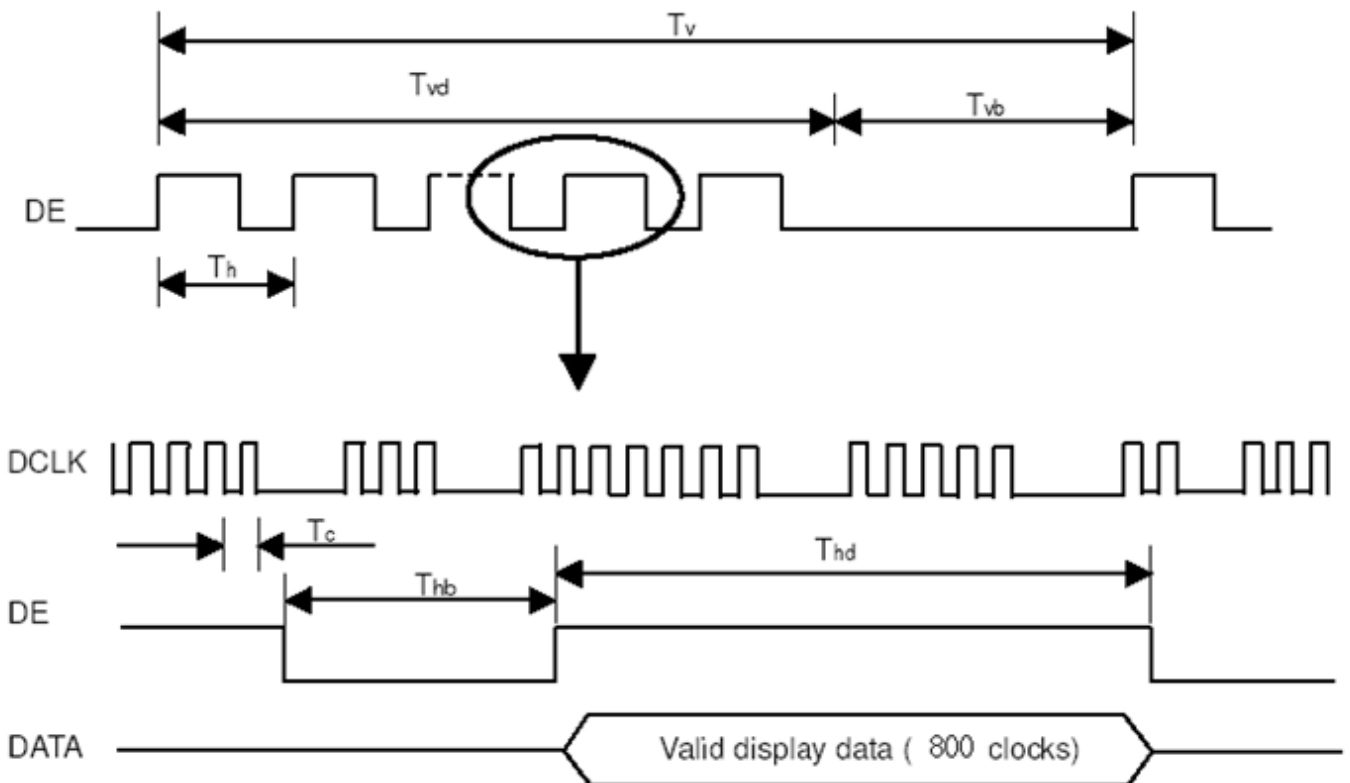
Parameter	Symbol	Value			Unit	Note	
		Min.	Typ.	Max.			
Vertical Display	Period	$T_v$	490	500	550	$T_h$	$T_v=T_{vd}+T_{vb}$
	Active	$T_{vd}$	-	480	-	$T_h$	-
	Blanking	$T_{vb}$	10	20	70	$T_h$	-
Horizontal Display	Period	$T_h$	930	992	1090	Tclock	$T_h=T_{hd}+T_{hb}$
	Active	$T_{hd}$	-	800	-	Tclock	-
	Blanking	$T_{hb}$	130	192	290	Tclock	-
Clock Frequency		$1/T_{clock}$	28	29.5	32	MHz	-

Note(1) Since this assembly is operated in DE only mode, Hsync and Vsync input signals should be set to low logic level. Otherwise, this assembly would operate abnormally.

(2) Frame rate is 60Hz.

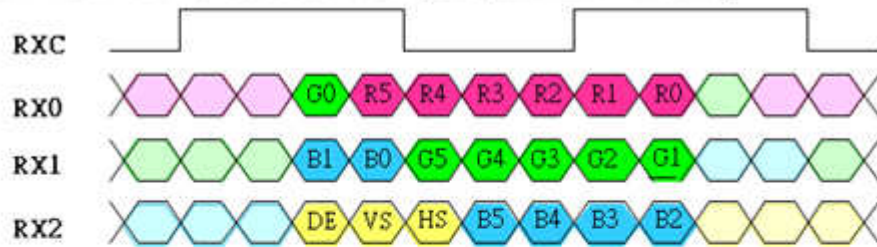
(3) The  $T_v(T_{vd}+T_{vb})$  must be integer, otherwise, this module would operate abnormally.

**INPUT SIGNAL TIMING DIAGRAM**

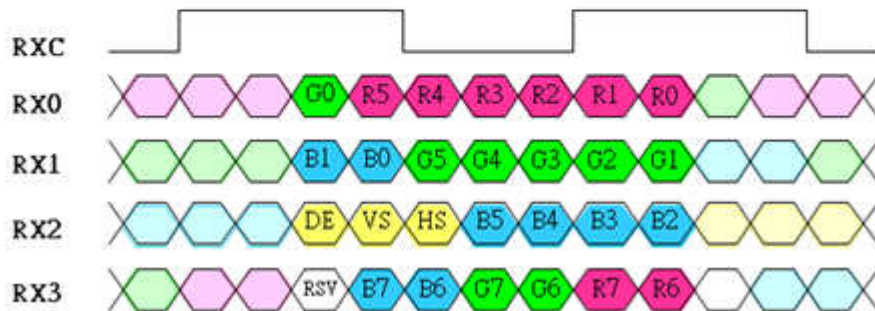


6.2 LVDS INPUT DATA FORMAT

FRC = "Low" or "NC" for 6 bit LVDS Input (RX3+/RX3- : floating)



FRC = "High" for 8 bit LVDS Input



Note (1) R/G/B data 7: MSB, R/G/B data 0: LSB

Note (2) Please follow PSWG

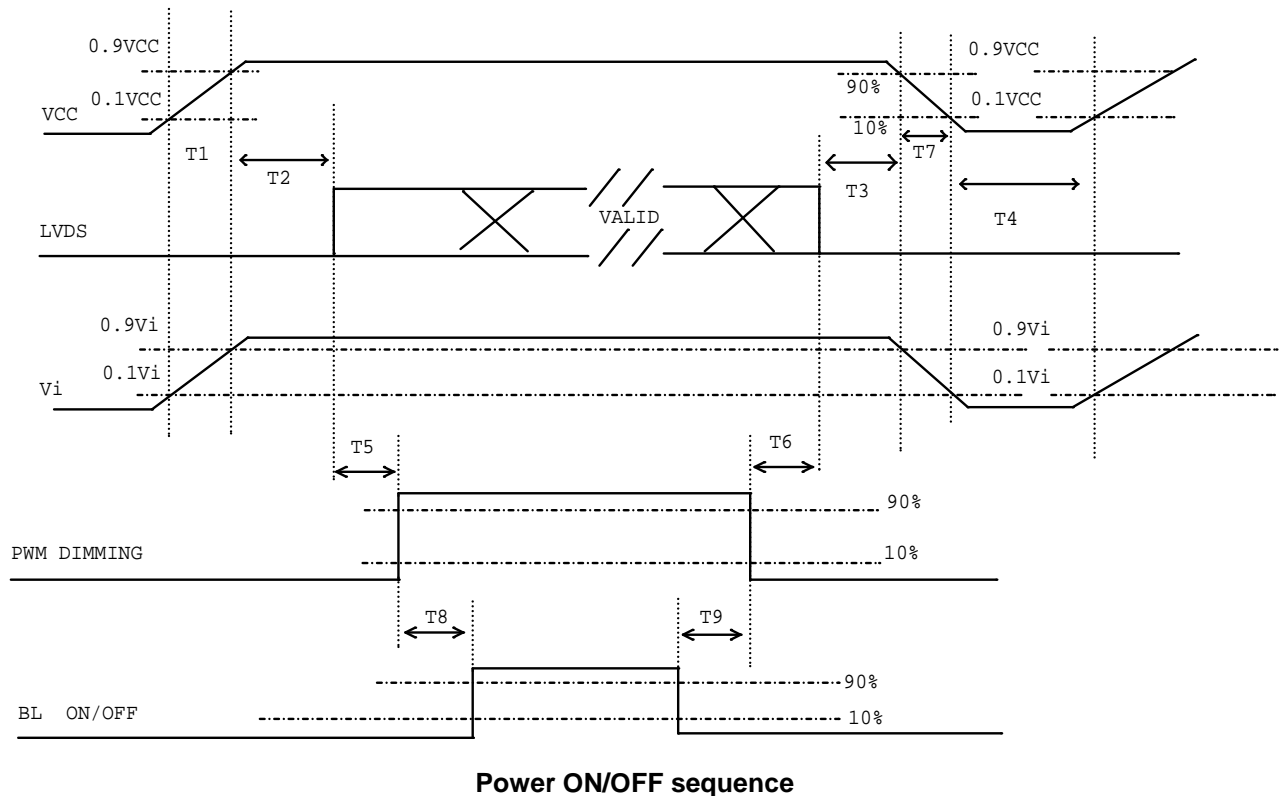
Signal Name	Description	Remark
R7	Red Data 7 (MSB)	Red-pixel Data Each red pixel's brightness data consists of these 8 bits pixel data.
R6	Red Data 6	
R5	Red Data 5	
R4	Red Data 4	
R3	Red Data 3	
R2	Red Data 2	
R1	Red Data 1	
R0	Red Data 0 (LSB)	
G7	Green Data 7 (MSB)	Green-pixel Data Each green pixel's brightness data consists of these 8 bits pixel data.
G6	GreenData 6	
G5	GreenData 5	
G4	GreenData 4	
G3	GreenData 3	
G2	GreenData 2	
G1	GreenData 1	
G0	GreenData 0 (LSB)	
B7	Blue Data 7 (MSB)	Blue-pixel Data Each blue pixel's brightness data consists of these 8 bits pixel data.
B6	Blue Data 6	
B5	Blue Data 5	
B4	Blue Data 4	
B3	Blue Data 3	
B2	Blue Data 2	
B1	Blue Data 1	
B0	Blue Data 0 (LSB)	
RXCLKIN+ RXCLKIN-	LVDS Clock Input	
DE	Display Enable	
VS	Vertical Sync	
HS	Horizontal Sync	

Note (3) Output signals from any system shall be low or Hi-Z state when VCC is off.

**6.3 POWER ON/OFF SEQUENCE**

To prevent a latch-up or DC operation of LCD assembly, the power on/off sequence should be as the diagram

below



Note (1) Please avoid floating state of interface signal at invalid period.

Note (2) When the interface signal is invalid, be sure to pull down the power supply of LCD VCC to 0 V.

Note (3) The Backlight converter power must be turned on after the power supply for the logic and the interface signal is valid. The Backlight converter power must be turned off before the power supply for the logic and the interface signal is invalid.

Parameter	Value			Units
	Min	Typ	Max	
T1	0.5	-	10	ms
T2	0	-	50	ms
T3	0	-	50	ms
T4	500	-	-	ms
T5	20	-	-	ms
T6	10	-	-	ms
T7	5		300	ms
T8	10	-	-	ms
T9	10	-	-	ms

## 7. OPTICAL CHARACTERISTICS

### 7.1 TEST CONDITIONS

Item	Symbol	Value	Unit
Ambient Temperature	Ta	25±2	°C
Ambient Humidity	Ha	50±10	%RH
Supply Voltage	V <sub>CC</sub>	3.3	V
Input Signal	According to typical value in "3. ELECTRICAL CHARACTERISTICS"		
Current	I <sub>f</sub>	50±3	mA
Converter Duty		100	%

Note (1) I<sub>f</sub> means the forward current of each channel

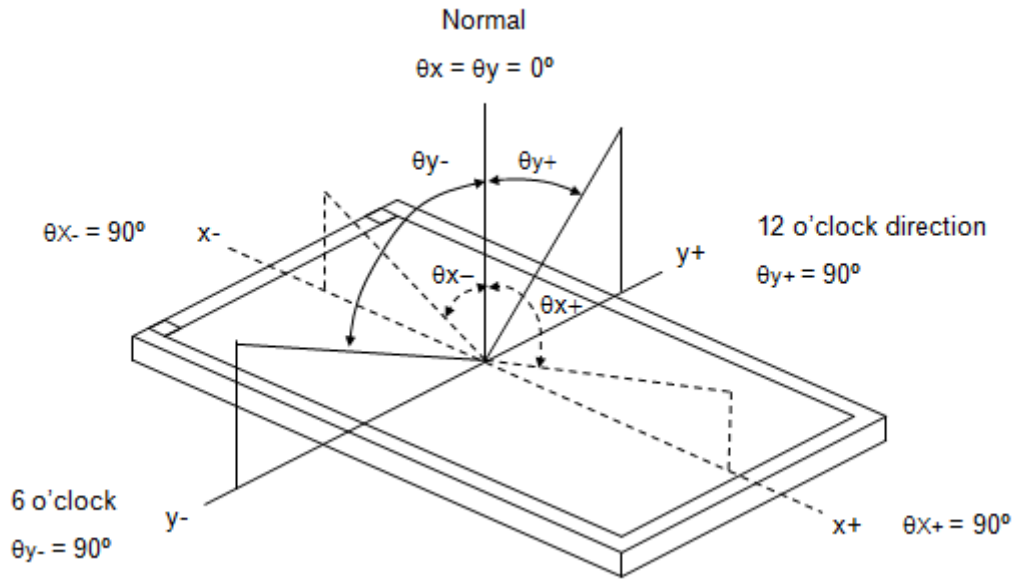
### 7.2 OPTICAL SPECIFICATIONS

The relative measurement methods of optical characteristics are shown in 7.2 and all items are measured at the center point of screen except white variation. The following items should be measured under the test conditions described in 7.1 and stable environment shown in Note (6).

Item	Symbol	Condition	Min.	Typ.	Max.	Unit	Note	
Color Chromaticity	Red	Rx	Typ - 0.03	0.645	Typ + 0.03		(1), (6)	
		Ry		0.341				
	Green	Gx		0.312				
		Gy		0.625				
	Blue	Bx		0.153				
		By		0.053				
	White	Wx		0.313				
		Wy		0.329				
Center Luminance of White	L <sub>C</sub>		400	500		cd/m <sup>2</sup>	(4), (6)	
Contrast Ratio	CR		500	600		-	(2), (6)	
Response Time	T <sub>R</sub>			5	10	Ms	(3)	
	T <sub>F</sub>			11	16	Ms		
White Variation	δW			1.25	1.4	-	(5), (6)	
Viewing Angle	Horizontal	θ <sub>x+</sub>	CR ≥ 10	60	70		Deg.	(1), (6)
		θ <sub>x-</sub>		60	70			
	Vertical	θ <sub>y+</sub>		50	60			
		θ <sub>y-</sub>		50	60			



Note (1) Definition of Viewing Angle ( $\theta_x$ ,  $\theta_y$ ):



Note (2) Definition of Contrast Ratio (CR):

The contrast ratio can be calculated by the following expression.

$$\text{Contrast Ratio (CR)} = L_{63} / L_0$$

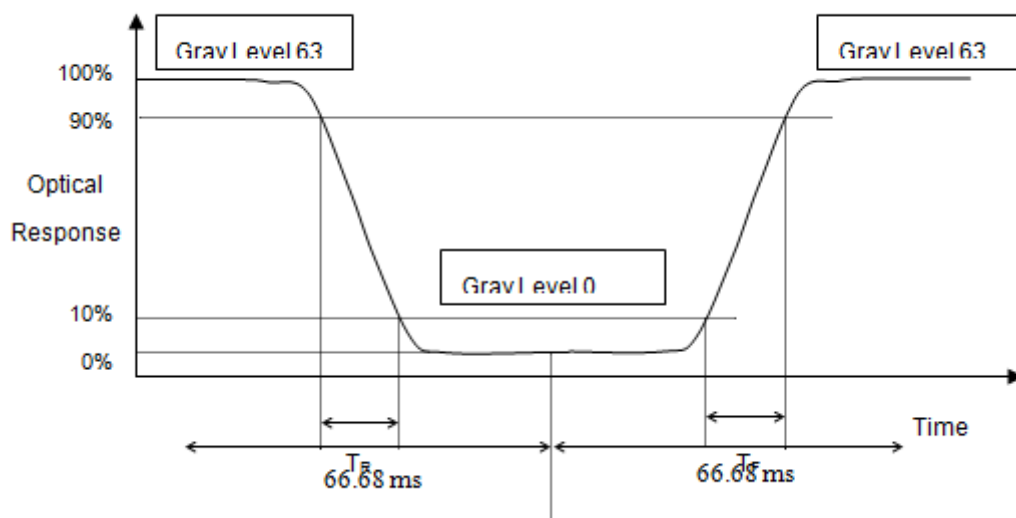
L63: Luminance of gray level 63

L0: Luminance of gray level 0

$$\text{CR} = \text{CR} (5)$$

CR (X) is corresponding to the Contrast Ratio of the point X at Figure in Note (5).

Note (3) Definition of Response Time ( $T_R$ ,  $T_F$ ) and measurement method:



Note (4) Definition of Luminance of White ( $L_C$ ):

Measure the luminance of gray level 63 at center point

$$L_C = L(5)$$

$L(x)$  is corresponding to the luminance of the point X at Figure in Note (5).

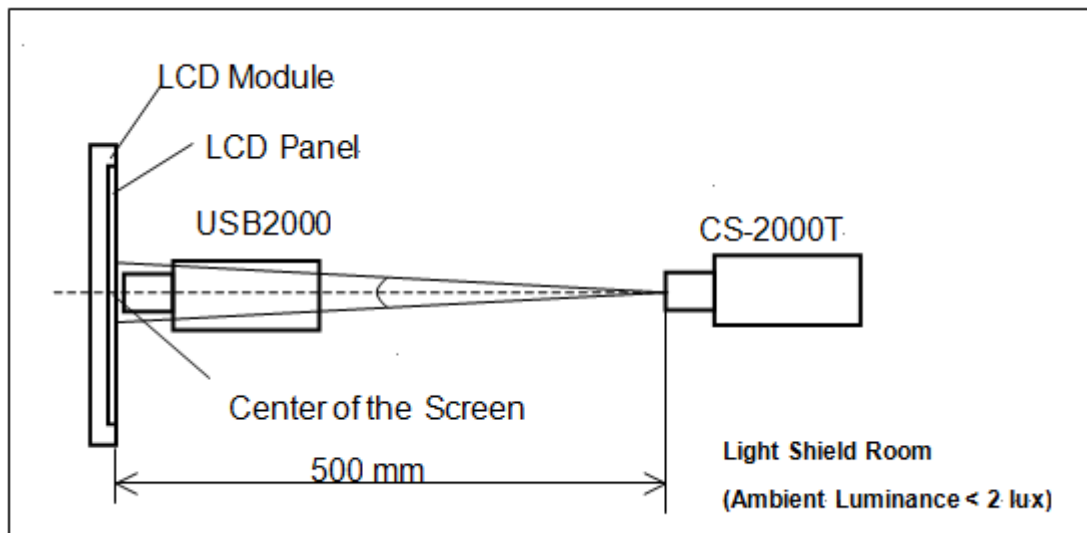
Note (5) Definition of White Variation ( $\delta W$ ):

Measure the luminance of gray level 63 at 5 points

$$\delta W = \text{Maximum} [L(1), L(2), L(3), L(4), L(5)] / \text{Minimum} [L(1), L(2), L(3), L(4), L(5)]$$

Note (6) Measurement Setup:

The LCD module should be stabilized at given temperature for 20 minutes to avoid abrupt temperature change during measuring. In order to stabilize the luminance, the measurement should be executed after lighting Backlight for 20 minutes in a windless room.



## 8. RELIABILITY TEST

### 8.1 RELIABILITY TEST CONDITION

No.	Test Item	Test Condition	Note
1	High Temperature Storage	95°C, 240 hours	(1),(2) (4),(5)
2	Low Temperature Storage	-40°C, 240 hours	
3	Thermal Shock Storage	{(-40°C, 0.5 hour) (85°C, 0.5 hour)}, 100 cycles	
4	High Temperature Operating	85°C, 240 hours	
5	Low Temperature Operating	-30°C, 240 hours	
6	High Temperature & High Humidity Operating	60°C, 90% RH, 240hours	(1),(2) (4),(6)
7	Shock (Non-Operating)	100G, 6ms, half sine wave, 3 times for ± X, ± Y, ± Z.	(3)
8	Vibration (Non-Operating)	3G, 10 ~ 200 Hz, 10min/cycle, 3 cycles each X, Y, Z	(3)

Note (1) There should be no condensation on the surface of panel during test.

Note (2) The temperature of panel display surface area should be 95°C Max.

Note (3) At testing Vibration and Shock, the fixture in holding the module has to be hard and rigid enough so that the module would not be twisted or bent by the fixture.

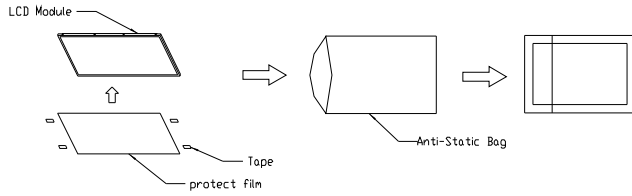
Note (4) In the standard conditions, there is no function failure issue occurred. All the cosmetic specification is judged before the reliability test.

Note (5) Before cosmetic and function test, the product must have enough recovery time, at least 2 hours at room temperature.

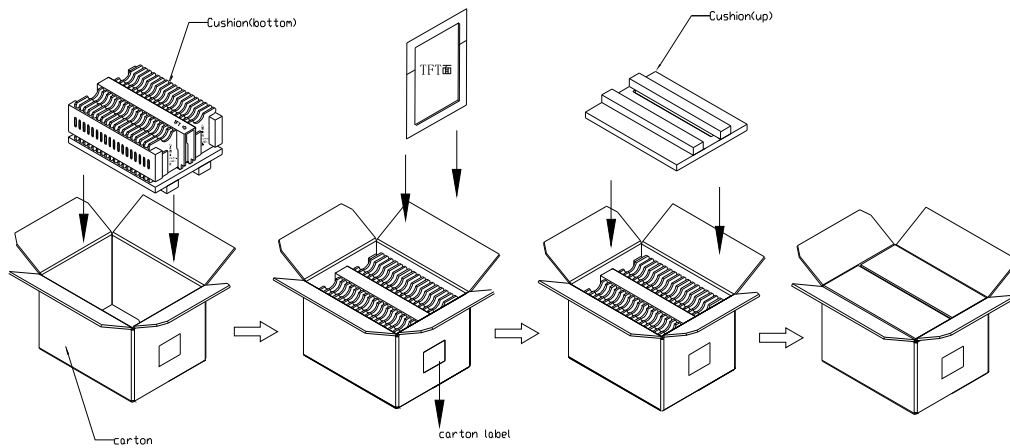
Note (6) Before cosmetic and function test, the product must have enough recovery time, at least 24 hours at room temperature.

**9. PACKAGING**

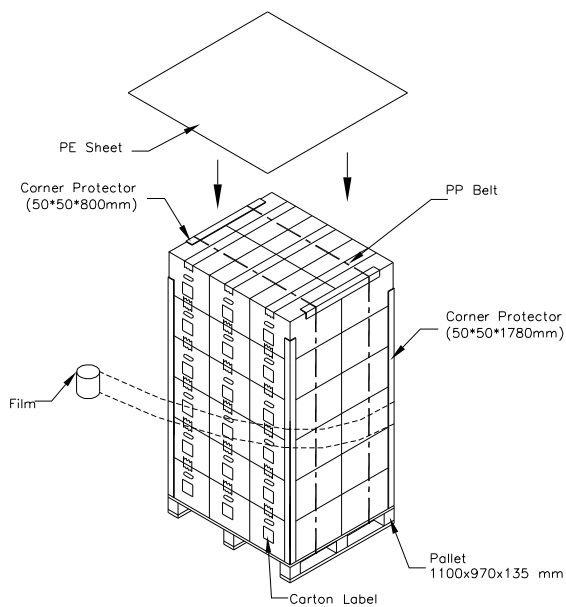
**9.1 PACKING METHOD**



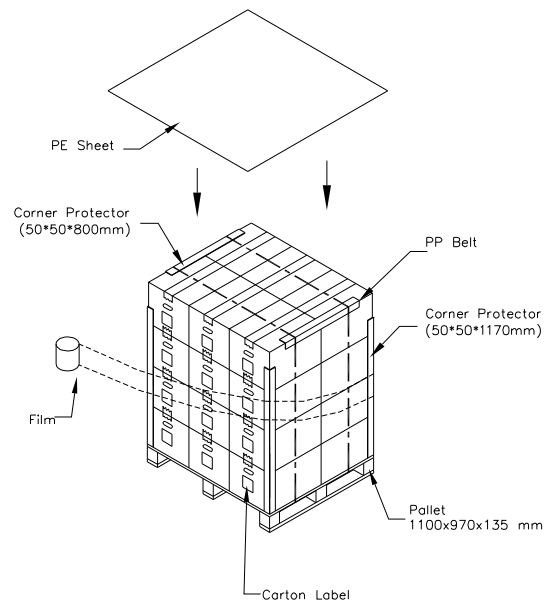
- (1) 34pcs Modules/1 box
- (2) Carton dimensions : 465(L)x362(W)x314(H)mm



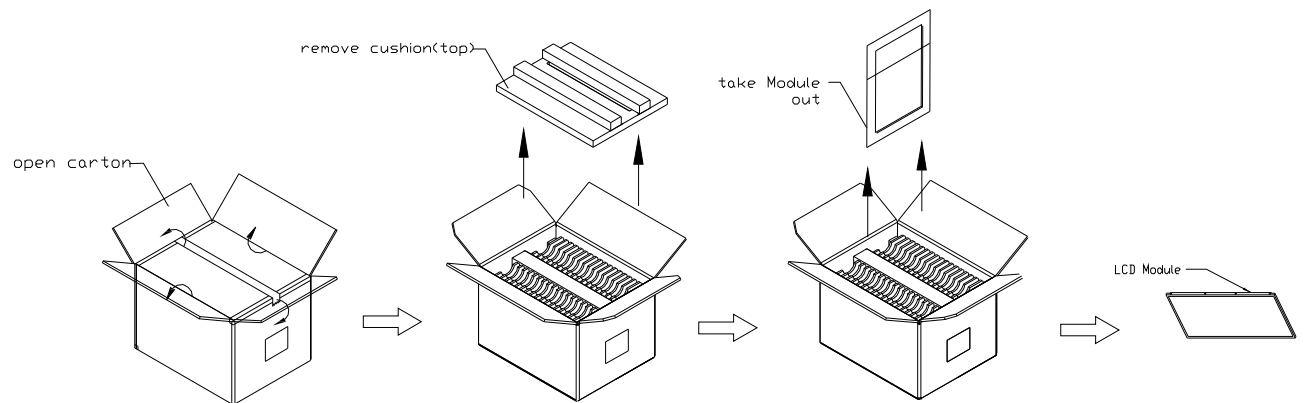
**Sea / Land Transportation (40ft Container)**



**Air Transportation**



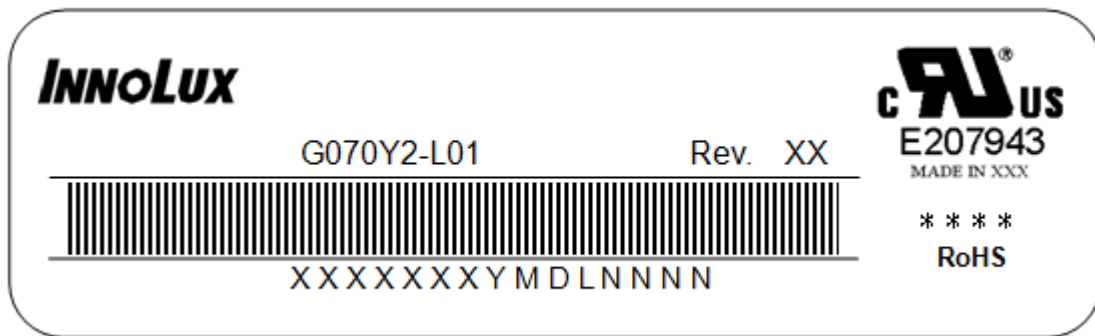
9.2 UN-PACKING METHOD



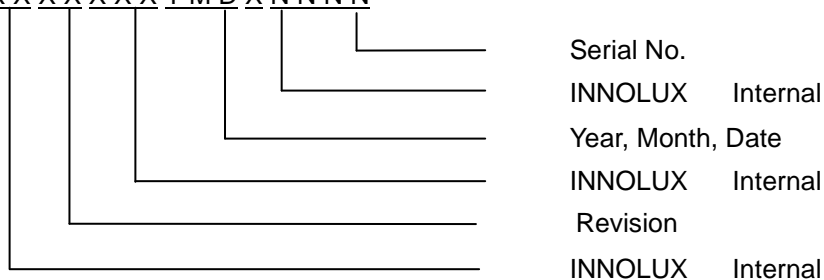
**10. DEFINITION OF LABELS**

**10.1 INNOLUX MODULE LABEL**

The barcode nameplate is pasted on each module as illustration, and its definitions are as following explanation.



- (a) Model Name: G070Y2 -L01
- (b) Revision: Rev. XX, for example: A1, ..., C1, C2 ...etc.
- (c) \* \* \* \* : Factory ID
- (d) Serial ID: XXXXXXXYMDXNNNN



Serial ID includes the information as below:

- (a) Manufactured Date: Year: 1~9, for 2001~2009  
 Month: 1~9, A~C, for Jan. ~ Dec.  
 Day: 1~9, A~Y, for 1<sup>st</sup> to 31<sup>st</sup>, exclude I , O and U
- (b) Revision Code: cover all the change  
 Serial No.: Manufacturing sequence of product

## **11. PRECAUTIONS**

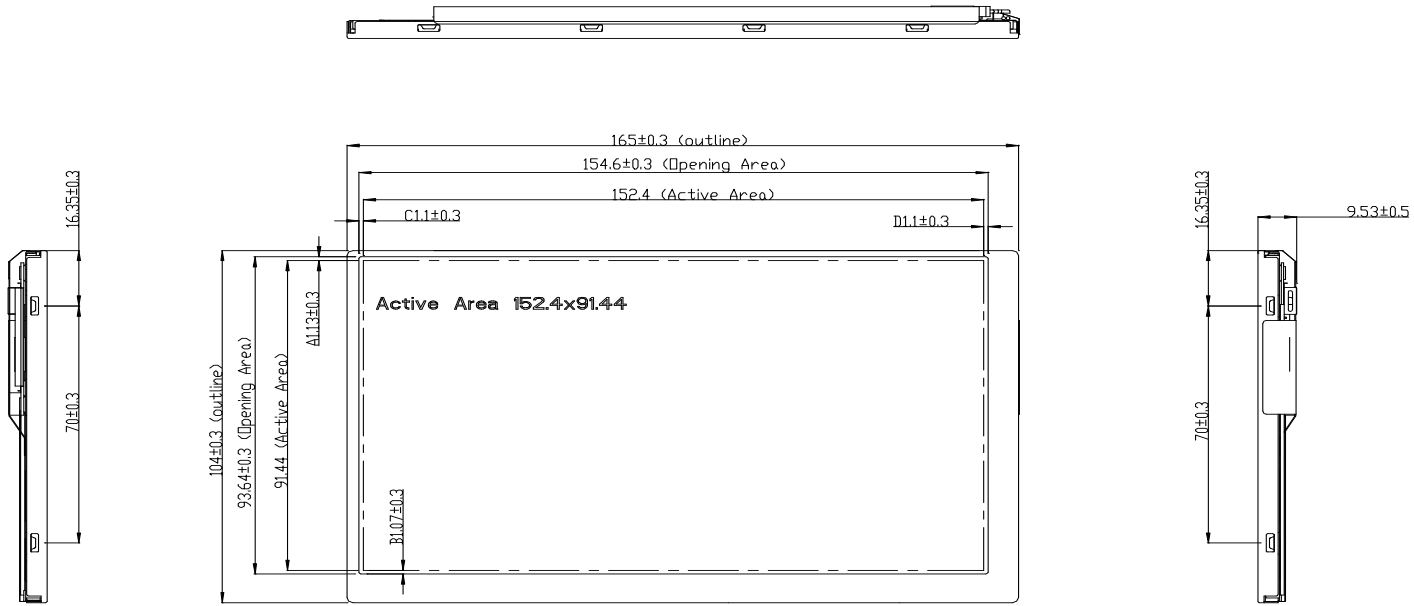
### **11.1 ASSEMBLY AND HANDLING PRECAUTIONS**

- (1) Do not apply rough force such as bending or twisting to the module during assembly.
- (2) To assemble or install module into user's system can be only in clean working areas. The dust and oil may cause electrical short or worsen the polarizer.
- (3) It's not permitted to have pressure or impulse on the module because the LCD panel and Backlight will be damaged.
- (4) Always follow the correct power sequence when LCD module is connecting and operating. This can prevent damage to the CMOS LSI chips during latch-up.
- (5) Do not pull the I/F connector in or out while the module is operating.
- (6) Do not disassemble the module.
- (7) Use a soft dry cloth without chemicals for cleaning, because the surface of polarizer is very soft and easily scratched.
- (8) It is dangerous that moisture come into or contacted the LCD module, because moisture may damage LCD module when it is operating.
- (9) High temperature or humidity may reduce the performance of module. Please store LCD module within the specified storage conditions.
- (10) When ambient temperature is lower than 10°C may reduce the display quality. For example, the response time will become slowly.
- (11) Do not keep same pattern in a long period of time. It may cause image sticking on LCD

### **11.2 SAFETY PRECAUTIONS**

- (1) Do not disassemble the module or insert anything into the Backlight unit to prevent electrical shock.
- (2) If the liquid crystal material leaks from the panel, it should be kept away from the eyes or mouth. In case of contact with hands, skin or clothes, it has to be washed away thoroughly with soap.
- (3) After the module's end of life, it is not harmful in case of normal operation and storage.

12. MECHANICAL CHARACTERISTICS



Note:

- 1.UNSPECIFIED TOLERANCE=±0.3mm.
- 2.DISPLAY AREA POSITION TOLERANCE: IA-BI<=1mm
- 3.LVDS CONNECTOR: 73B20-0048RA-G4 (Starcon).
- 4.P/I CONNECTOR: LM123S004HTF13 (Unicorn).
- 5.THOSE SCREWS AT PCBA BOARD TO TWIST WITH FORCE IS 0.6 Kgf-cm AND REPEAT TIMES<= 4 .
- 6.THE WIRE IS UNDER THE PCB PROTECTOR FILM.



Our company network supports you worldwide with offices in Germany, Austria, Switzerland, the UK and the USA. For more information please contact:

## Headquarters

### Germany



#### FORTEC Elektronik AG

Augsburger Str. 2b  
82110 Germering

Phone: +49 89 894450-0  
E-Mail: [info@fortecag.de](mailto:info@fortecag.de)  
Internet: [www.fortecag.de](http://www.fortecag.de)

## Fortec Group Members

### Austria



#### Distec GmbH Office Vienna

Nuschinggasse 12  
1230 Wien

Phone: +43 1 8673492-0  
E-Mail: [info@distec.de](mailto:info@distec.de)  
Internet: [www.distec.de](http://www.distec.de)

### Germany



#### Distec GmbH

Augsburger Str. 2b  
82110 Germering

Phone: +49 89 894363-0  
E-Mail: [info@distec.de](mailto:info@distec.de)  
Internet: [www.distec.de](http://www.distec.de)

### Switzerland



#### ALTRAC AG

Bahnhofstraße 3  
5436 Würenlos

Phone: +41 44 7446111  
E-Mail: [info@altrac.ch](mailto:info@altrac.ch)  
Internet: [www.altrac.ch](http://www.altrac.ch)

### United Kingdom



#### Display Technology Ltd.

Osprey House, 1 Osprey Court  
Hichingbrooke Business Park  
Huntingdon, Cambridgeshire, PE29 6FN

Phone: +44 1480 411600  
E-Mail: [info@displaytechnology.co.uk](mailto:info@displaytechnology.co.uk)  
Internet: [www.displaytechnology.co.uk](http://www.displaytechnology.co.uk)

### USA



#### Apollo Display Technologies, Corp.

87 Raynor Avenue,  
Unit 1 Ronkonkoma,  
NY 11779

Phone: +1 631 5804360  
E-Mail: [info@apolloDisplays.com](mailto:info@apolloDisplays.com)  
Internet: [www.apolloDisplays.com](http://www.apolloDisplays.com)