



OUR GLOBAL  
COMPETENCE  
CENTRES

 APOLLO DISPLAY  
TECHNOLOGIES



 DISTEC



 DISPLAY  
TECHNOLOGY



# Datasheet

## AUO

; %J B\$%\$

WÜEGEÎ



# Product Specification

G151EVN01.0

AU OPTRONICS CORPORATION

Preliminary Specification

Final Specification

<b>Module</b>	15.1" Color TFT-LCD (Free Shape LCD)
<b>Model Name</b>	G151EVN01.0

<table border="1"><tr><td><b>Customer</b></td><td><b>Date</b></td></tr><tr><td>_____</td><td>_____</td></tr></table>	<b>Customer</b>	<b>Date</b>	_____	_____	<table border="1"><tr><td><b>Approved by</b></td><td><b>Date</b></td></tr><tr><td>Crystal Hsieh</td><td>2016/08/30</td></tr></table>	<b>Approved by</b>	<b>Date</b>	Crystal Hsieh	2016/08/30
<b>Customer</b>	<b>Date</b>								
_____	_____								
<b>Approved by</b>	<b>Date</b>								
Crystal Hsieh	2016/08/30								
<table border="1"><tr><td><b>Checked &amp; Approved by</b></td><td><b>Date</b></td></tr><tr><td>_____</td><td>_____</td></tr></table>	<b>Checked &amp; Approved by</b>	<b>Date</b>	_____	_____	<table border="1"><tr><td><b>Prepared by</b></td><td><b>Date</b></td></tr><tr><td>Jimmy Tsai</td><td>2016/08/30</td></tr></table>	<b>Prepared by</b>	<b>Date</b>	Jimmy Tsai	2016/08/30
<b>Checked &amp; Approved by</b>	<b>Date</b>								
_____	_____								
<b>Prepared by</b>	<b>Date</b>								
Jimmy Tsai	2016/08/30								
Note: This Specification is subject to change without notice.	General Display Business Division / AU Optonics corporation								

## Contents

<b>1. Operating Precautions</b> .....	<b>4</b>
<b>2. General Description</b> .....	<b>5</b>
2.1 Display Characteristics .....	5
2.2 Optical Characteristics .....	6
<b>3. Functional Block Diagram</b> .....	<b>9</b>
<b>4. Absolute Maximum Ratings</b> .....	<b>10</b>
4.1 Absolute Ratings of TFT LCD Module .....	10
4.2 Absolute Ratings of Environment .....	10
<b>5. Electrical Characteristics</b> .....	<b>11</b>
5.1 TFT LCD Module .....	11
5.2 Backlight Unit.....	13
<b>6. Signal Characteristic</b> .....	<b>14</b>
6.1 Pixel Format Image .....	14
6.2 Signal Description.....	15
6.3 The Input Data Format .....	16
6.4 Interface Timing.....	17
6.5 Power ON/OFF Sequence.....	18
<b>7. Connector &amp; Pin Assignment</b> .....	<b>19</b>
7.1 TFT LCD Module: LVDS Connector .....	19
7.2 Backlight Unit: LED Connector .....	20
<b>8. Reliability Test</b> .....	<b>21</b>
<b>9. Mechanical Characteristics</b> .....	<b>22</b>
<b>10. Label and Packaging</b> .....	<b>24</b>
10.1 Shipping Label (on the rear side of TFT-LCD display).....	24
10.2 Carton Package.....	24
<b>11. Safety</b> .....	<b>25</b>
11.1 Sharp Edge Requirements.....	25
11.2 Materials .....	25
11.3 Capacitors.....	25
11.4 National Test Lab Requirement.....	25



**Record of Revision**

Version and Date	Page	Old description	New Description	Remark																																																																																																																																												
0.1 2012/02/16	All	First Edition for Customer	All																																																																																																																																													
1.0 2012/06/21	17	<table border="1"> <thead> <tr> <th>Signal</th> <th>Item</th> <th>Symbol</th> <th>Min</th> <th>Typ</th> <th>Max</th> <th>Unit</th> </tr> </thead> <tbody> <tr> <td>Clock</td> <td>Frequency</td> <td>1/T<sub>clock</sub></td> <td>60</td> <td>72</td> <td>85</td> <td>MHz</td> </tr> <tr> <td>Frame Rate</td> <td>Frequency</td> <td>1/T<sub>fr</sub></td> <td>50</td> <td>60</td> <td>75</td> <td>Hz</td> </tr> <tr> <td rowspan="3">Vertical Section</td> <td>Period</td> <td>T<sub>vd</sub></td> <td>1056</td> <td>1066</td> <td>2048</td> <td>μs</td> </tr> <tr> <td>Active</td> <td>T<sub>va</sub></td> <td>1050</td> <td>1050</td> <td>1050</td> <td>T<sub>line</sub></td> </tr> <tr> <td>Blanking</td> <td>T<sub>vb</sub></td> <td>8</td> <td>16</td> <td>998</td> <td>μs</td> </tr> <tr> <td rowspan="3">Horizontal Section</td> <td>Period</td> <td>T<sub>hd</sub></td> <td>880</td> <td>1128</td> <td>2048</td> <td>μs</td> </tr> <tr> <td>Active</td> <td>T<sub>ha</sub></td> <td>840</td> <td>840</td> <td>840</td> <td>T<sub>clock</sub></td> </tr> <tr> <td>Blanking</td> <td>T<sub>hb</sub></td> <td>40</td> <td>288</td> <td>1208</td> <td>μs</td> </tr> </tbody> </table>	Signal	Item	Symbol	Min	Typ	Max	Unit	Clock	Frequency	1/T <sub>clock</sub>	60	72	85	MHz	Frame Rate	Frequency	1/T <sub>fr</sub>	50	60	75	Hz	Vertical Section	Period	T <sub>vd</sub>	1056	1066	2048	μs	Active	T <sub>va</sub>	1050	1050	1050	T <sub>line</sub>	Blanking	T <sub>vb</sub>	8	16	998	μs	Horizontal Section	Period	T <sub>hd</sub>	880	1128	2048	μs	Active	T <sub>ha</sub>	840	840	840	T <sub>clock</sub>	Blanking	T <sub>hb</sub>	40	288	1208	μs	<table border="1"> <thead> <tr> <th>Signal</th> <th>Item</th> <th>Symbol</th> <th>Min</th> <th>Typ</th> <th>Max</th> <th>Unit</th> </tr> </thead> <tbody> <tr> <td>Clock</td> <td>Frequency</td> <td>1/T<sub>clock</sub></td> <td>30</td> <td>54</td> <td>83</td> <td>MHz</td> </tr> <tr> <td>Frame Rate</td> <td>Frequency</td> <td>1/T<sub>fr</sub></td> <td>50</td> <td>60</td> <td>75</td> <td>Hz</td> </tr> <tr> <td rowspan="3">Vertical Section</td> <td>Period</td> <td>T<sub>vd</sub></td> <td>1036</td> <td>1066</td> <td>2047</td> <td>μs</td> </tr> <tr> <td>Active</td> <td>T<sub>va</sub></td> <td>--</td> <td>1024</td> <td>--</td> <td>T<sub>line</sub></td> </tr> <tr> <td>Blanking</td> <td>T<sub>vb</sub></td> <td>11</td> <td>42</td> <td>1023</td> <td>μs</td> </tr> <tr> <td rowspan="3">Horizontal Section</td> <td>Period</td> <td>T<sub>hd</sub></td> <td>720</td> <td>844</td> <td>1024</td> <td>μs</td> </tr> <tr> <td>Active</td> <td>T<sub>ha</sub></td> <td>--</td> <td>640</td> <td>--</td> <td>T<sub>clock</sub></td> </tr> <tr> <td>Blanking</td> <td>T<sub>hb</sub></td> <td>80</td> <td>204</td> <td>384</td> <td>μs</td> </tr> </tbody> </table>	Signal	Item	Symbol	Min	Typ	Max	Unit	Clock	Frequency	1/T <sub>clock</sub>	30	54	83	MHz	Frame Rate	Frequency	1/T <sub>fr</sub>	50	60	75	Hz	Vertical Section	Period	T <sub>vd</sub>	1036	1066	2047	μs	Active	T <sub>va</sub>	--	1024	--	T <sub>line</sub>	Blanking	T <sub>vb</sub>	11	42	1023	μs	Horizontal Section	Period	T <sub>hd</sub>	720	844	1024	μs	Active	T <sub>ha</sub>	--	640	--	T <sub>clock</sub>	Blanking	T <sub>hb</sub>	80	204	384	μs																							
Signal	Item	Symbol	Min	Typ	Max	Unit																																																																																																																																										
Clock	Frequency	1/T <sub>clock</sub>	60	72	85	MHz																																																																																																																																										
Frame Rate	Frequency	1/T <sub>fr</sub>	50	60	75	Hz																																																																																																																																										
Vertical Section	Period	T <sub>vd</sub>	1056	1066	2048	μs																																																																																																																																										
	Active	T <sub>va</sub>	1050	1050	1050	T <sub>line</sub>																																																																																																																																										
	Blanking	T <sub>vb</sub>	8	16	998	μs																																																																																																																																										
Horizontal Section	Period	T <sub>hd</sub>	880	1128	2048	μs																																																																																																																																										
	Active	T <sub>ha</sub>	840	840	840	T <sub>clock</sub>																																																																																																																																										
	Blanking	T <sub>hb</sub>	40	288	1208	μs																																																																																																																																										
Signal	Item	Symbol	Min	Typ	Max	Unit																																																																																																																																										
Clock	Frequency	1/T <sub>clock</sub>	30	54	83	MHz																																																																																																																																										
Frame Rate	Frequency	1/T <sub>fr</sub>	50	60	75	Hz																																																																																																																																										
Vertical Section	Period	T <sub>vd</sub>	1036	1066	2047	μs																																																																																																																																										
	Active	T <sub>va</sub>	--	1024	--	T <sub>line</sub>																																																																																																																																										
	Blanking	T <sub>vb</sub>	11	42	1023	μs																																																																																																																																										
Horizontal Section	Period	T <sub>hd</sub>	720	844	1024	μs																																																																																																																																										
	Active	T <sub>ha</sub>	--	640	--	T <sub>clock</sub>																																																																																																																																										
	Blanking	T <sub>hb</sub>	80	204	384	μs																																																																																																																																										
1.1 2016/08/30	13	<table border="1"> <thead> <tr> <th>Symbol</th> <th>Parameter</th> <th>Min</th> <th>Typ</th> <th>Max</th> <th>Unit</th> <th>Remark</th> </tr> </thead> <tbody> <tr> <td>V<sub>LED</sub></td> <td>Input Voltage</td> <td>10.8</td> <td>12</td> <td>13.2</td> <td>Volt</td> <td>∅</td> </tr> <tr> <td>I<sub>LED</sub></td> <td>Input Current</td> <td>∅</td> <td>0.6</td> <td>∅</td> <td>A</td> <td>100% Dimming</td> </tr> <tr> <td>P<sub>LED</sub></td> <td>Power Consumption</td> <td>∅</td> <td>9.6</td> <td>10.56</td> <td>Watt</td> <td>100% Dimming, Note3</td> </tr> <tr> <td>f<sub>sw</sub></td> <td>PWM Dimming Frequency</td> <td>200</td> <td>∅</td> <td>20K</td> <td>Hz</td> <td>∅</td> </tr> <tr> <td>V<sub>sw</sub></td> <td>Swing Voltage</td> <td>3</td> <td>3.3</td> <td>5</td> <td>Volt</td> <td>∅</td> </tr> <tr> <td>D</td> <td>Dimming Duty Cycle</td> <td>10</td> <td>∅</td> <td>100</td> <td>%</td> <td>∅</td> </tr> <tr> <td>V<sub>analog</sub></td> <td>Analog Dimming Voltage</td> <td>∅</td> <td>N/A</td> <td>∅</td> <td>Volt</td> <td>No Analog Dimming</td> </tr> <tr> <td>Operating Life</td> <td>∅</td> <td>50000</td> <td>∅</td> <td>∅</td> <td>Hrs</td> <td>Ta = 25°C</td> </tr> </tbody> </table>	Symbol	Parameter	Min	Typ	Max	Unit	Remark	V <sub>LED</sub>	Input Voltage	10.8	12	13.2	Volt	∅	I <sub>LED</sub>	Input Current	∅	0.6	∅	A	100% Dimming	P <sub>LED</sub>	Power Consumption	∅	9.6	10.56	Watt	100% Dimming, Note3	f <sub>sw</sub>	PWM Dimming Frequency	200	∅	20K	Hz	∅	V <sub>sw</sub>	Swing Voltage	3	3.3	5	Volt	∅	D	Dimming Duty Cycle	10	∅	100	%	∅	V <sub>analog</sub>	Analog Dimming Voltage	∅	N/A	∅	Volt	No Analog Dimming	Operating Life	∅	50000	∅	∅	Hrs	Ta = 25°C	<table border="1"> <thead> <tr> <th>Symbol</th> <th>Parameter</th> <th>Min</th> <th>Typ</th> <th>Max</th> <th>Unit</th> <th>Remark</th> </tr> </thead> <tbody> <tr> <td>V<sub>LED</sub></td> <td>Input Voltage</td> <td>10.8</td> <td>12</td> <td>13.2</td> <td>Volt</td> <td>∅</td> </tr> <tr> <td>I<sub>LED</sub></td> <td>Input Current</td> <td>∅</td> <td>0.3</td> <td>∅</td> <td>A</td> <td>100% Dimming</td> </tr> <tr> <td>P<sub>LED</sub></td> <td>Power Consumption</td> <td>∅</td> <td>9.5</td> <td>10.56</td> <td>Watt</td> <td>100% Dimming, Note3</td> </tr> <tr> <td>f<sub>sw</sub></td> <td>PWM Dimming Frequency</td> <td>200</td> <td>∅</td> <td>20K</td> <td>Hz</td> <td>∅</td> </tr> <tr> <td>V<sub>sw</sub></td> <td>Swing Voltage</td> <td>3</td> <td>3.3</td> <td>5</td> <td>Volt</td> <td>∅</td> </tr> <tr> <td>D</td> <td>Dimming Duty Cycle</td> <td>10</td> <td>∅</td> <td>100</td> <td>%</td> <td>∅</td> </tr> <tr> <td>V<sub>analog</sub></td> <td>Analog Dimming Voltage</td> <td>∅</td> <td>N/A</td> <td>∅</td> <td>Volt</td> <td>No Analog Dimming</td> </tr> <tr> <td>V<sub>high</sub></td> <td>High Level</td> <td>2.3</td> <td>∅</td> <td>3.3</td> <td>Volt</td> <td>∅</td> </tr> <tr> <td>V<sub>low</sub></td> <td>Low Level</td> <td>0</td> <td>∅</td> <td>0.5</td> <td>Volt</td> <td>∅</td> </tr> <tr> <td>Operating Life</td> <td>∅</td> <td>50000</td> <td>∅</td> <td>∅</td> <td>Hrs</td> <td>Ta = 25°C</td> </tr> </tbody> </table>	Symbol	Parameter	Min	Typ	Max	Unit	Remark	V <sub>LED</sub>	Input Voltage	10.8	12	13.2	Volt	∅	I <sub>LED</sub>	Input Current	∅	0.3	∅	A	100% Dimming	P <sub>LED</sub>	Power Consumption	∅	9.5	10.56	Watt	100% Dimming, Note3	f <sub>sw</sub>	PWM Dimming Frequency	200	∅	20K	Hz	∅	V <sub>sw</sub>	Swing Voltage	3	3.3	5	Volt	∅	D	Dimming Duty Cycle	10	∅	100	%	∅	V <sub>analog</sub>	Analog Dimming Voltage	∅	N/A	∅	Volt	No Analog Dimming	V <sub>high</sub>	High Level	2.3	∅	3.3	Volt	∅	V <sub>low</sub>	Low Level	0	∅	0.5	Volt	∅	Operating Life	∅	50000	∅	∅	Hrs	Ta = 25°C	
Symbol	Parameter	Min	Typ	Max	Unit	Remark																																																																																																																																										
V <sub>LED</sub>	Input Voltage	10.8	12	13.2	Volt	∅																																																																																																																																										
I <sub>LED</sub>	Input Current	∅	0.6	∅	A	100% Dimming																																																																																																																																										
P <sub>LED</sub>	Power Consumption	∅	9.6	10.56	Watt	100% Dimming, Note3																																																																																																																																										
f <sub>sw</sub>	PWM Dimming Frequency	200	∅	20K	Hz	∅																																																																																																																																										
V <sub>sw</sub>	Swing Voltage	3	3.3	5	Volt	∅																																																																																																																																										
D	Dimming Duty Cycle	10	∅	100	%	∅																																																																																																																																										
V <sub>analog</sub>	Analog Dimming Voltage	∅	N/A	∅	Volt	No Analog Dimming																																																																																																																																										
Operating Life	∅	50000	∅	∅	Hrs	Ta = 25°C																																																																																																																																										
Symbol	Parameter	Min	Typ	Max	Unit	Remark																																																																																																																																										
V <sub>LED</sub>	Input Voltage	10.8	12	13.2	Volt	∅																																																																																																																																										
I <sub>LED</sub>	Input Current	∅	0.3	∅	A	100% Dimming																																																																																																																																										
P <sub>LED</sub>	Power Consumption	∅	9.5	10.56	Watt	100% Dimming, Note3																																																																																																																																										
f <sub>sw</sub>	PWM Dimming Frequency	200	∅	20K	Hz	∅																																																																																																																																										
V <sub>sw</sub>	Swing Voltage	3	3.3	5	Volt	∅																																																																																																																																										
D	Dimming Duty Cycle	10	∅	100	%	∅																																																																																																																																										
V <sub>analog</sub>	Analog Dimming Voltage	∅	N/A	∅	Volt	No Analog Dimming																																																																																																																																										
V <sub>high</sub>	High Level	2.3	∅	3.3	Volt	∅																																																																																																																																										
V <sub>low</sub>	Low Level	0	∅	0.5	Volt	∅																																																																																																																																										
Operating Life	∅	50000	∅	∅	Hrs	Ta = 25°C																																																																																																																																										

## 1. Operating Precautions

- 1) Since front polarizer is easily damaged, pay attention not to scratch it.
- 2) Be sure to turn off power supply when inserting or disconnecting from input connector.
- 3) Wipe off water drop immediately. Long contact with water may cause discoloration or spots.
- 4) When the panel surface is soiled, wipe it with absorbent cotton or other soft cloth.
- 5) Since the panel is made of glass, it may break or crack if dropped or bumped on hard surface.
- 6) Since CMOS LSI is used in this module, take care of static electricity and insure human earth when handling.
- 7) Do not open or modify the Module Assembly.
- 8) In case if a Module has to be put back into the packing container slot after once it was taken out from the container, take it easily, or the TFT Module may be damaged.
- 9) At the insertion or removal of the Signal Interface Connector, be sure not to rotate nor tilt the Interface Connector of the TFT Module.
- 10) After installation of the TFT Module into an enclosure, do not twist nor bend the TFT Module even momentary. At designing the enclosure, it should be taken into consideration that no bending/twisting forces are applied to the TFT Module from outside. Otherwise the TFT Module may be damaged.
- 11) Small amount of materials having no flammability grade is used in the LCD module. The LCD module should be supplied by power complied with requirements of Limited Power Source (IEC60950 or UL1950), or be applied exemption.
- 12) Severe temperature condition may result in different luminance, response time and LED life time.
- 13) The data on this specification sheet is applicable when LCD module is placed in landscape position.
- 14) Continuous displaying fixed pattern may induce image sticking. It is recommended to use screen saver or shuffle content periodically if fixed pattern is displayed on the screen.

## 2. General Description

This specification applies to the 15.1 inch-wide Color TFT-LCD Module G151EVN01.0.

The display supports the 1280(H) x 248(V) screen format and 16.7M colors. All input signals are 2 Channels LVDS interface compatible.

LED driver board is included. G151EVN01.0 is designed for industrial display applications.

### 2.1 Display Characteristics

The following items are characteristics summary on the table under 25 °C condition:

Items	Unit	Specifications
Screen Diagonal	[inch]	15.1
Active Area	[mm]	376.32 (H) x 72.91(V)
Pixels H x V		1280(x3) x 248
Pixel Pitch	[mm]	0.294 (per one triad) x 0.294
Pixel Arrangement		R.G.B. Vertical Stripe
Display Mode		P-MVA Mode, Normally Black
Nominal Input Voltage VDD	[Volt]	+5.0 V
Typical Power Consumption	[Watt]	10.85 (1.25 (TFT))+9.6 (LED) W (Typ)) (All white pattern)
Weight	[Grams]	700 (Max)
Physical Size	[mm]	396 (H) x 100.8 (V) x 17.3 (D)
Electrical Interface		Dual Channel LVDS
Surface Treatment		Anti-glare, Hardness 3H
Support Color		16.7M colors (8-bits )
Temperature Range		
Operating	[°C]	0 to +50
Storage (Non-Operating)	[°C]	-20 to +60
RoHS Compliance		RoHS Compliance

## 2.2 Optical Characteristics

The optical characteristics are measured under stable conditions at 25°C (Room Temperature):

Item	Unit	Conditions	Min.	Typ.	Max.	Note
White Luminance	[cd/m <sup>2</sup> ]	I <sub>F</sub> = 80mA	240	300	-	1
Uniformity	%	9 Points	75	80	-	1, 2, 3
Contrast Ratio			1600	2000	-	4
Cross talk	%		-	-	1.5	5
Response Time	[msec]	Rising	-	15	-	6
		Falling	-	5	-	
		Rising + Falling	-	20	-	
		Gray to Gray	-	8	-	
Viewing Angle	[degree]	Horizontal (Right) CR = 10 (Left)	75	89	-	7
	[degree]		75	89	-	
	[degree]	Vertical (Upper) CR = 10 (Lower)	75	89	-	
	[degree]		75	89	-	
Color / Chromaticity Coordinates (CIE 1931)		Red x	0.597	0.647	0.697	
		Red y	0.290	0.340	0.390	
		Green x	0.277	0.327	0.377	
		Green y	0.551	0.601	0.651	
		Blue x	0.092	0.142	0.192	
		Blue y	0.017	0.067	0.117	
		White x	0.263	0.313	0.363	
		White y	0.279	0.329	0.379	
Color Gamut	%		-	70	-	

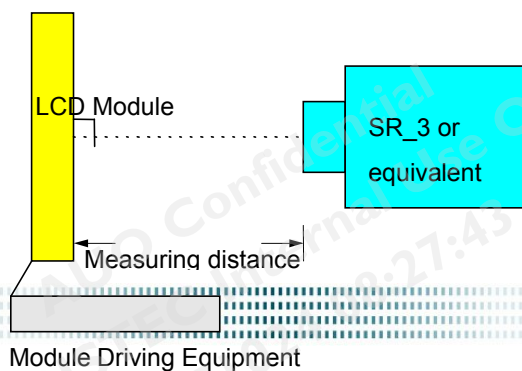
Note 1: Measurement method

Equipment Pattern Generator, Power Supply, Digital Voltmeter, Luminance meter (SR\_3 or equivalent)

Aperture 1° with 50cm viewing distance

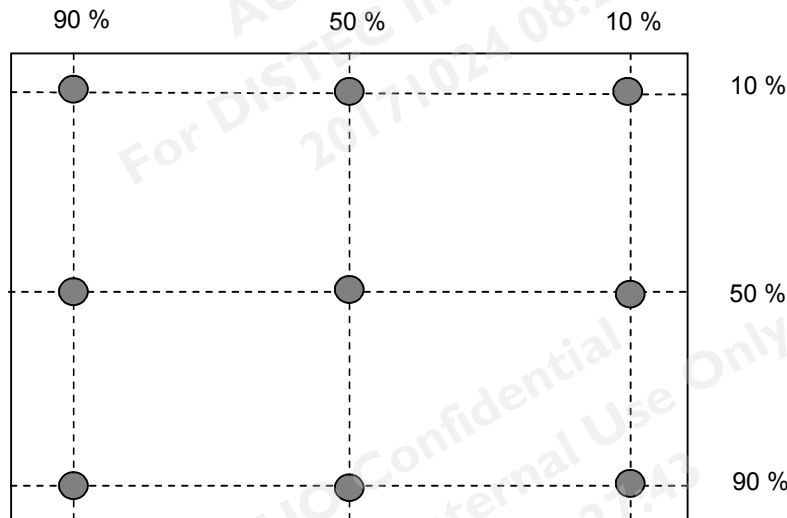
Test Point Center

Environment < 1 lux





Note 2: Definition of 9 points position (Display active area)



Note 3: The luminance uniformity of 9 points is defined by dividing the minimum luminance values by the maximum test point luminance

$$\delta_{w9} = \frac{\text{Minimum Brightness of nine points}}{\text{Maximum Brightness of nine points}}$$

Note 4 : Definition of contrast ratio (CR):

$$\text{Contrast ratio (CR)} = \frac{\text{Brightness on the "White" state}}{\text{Brightness on the "Black" state}}$$

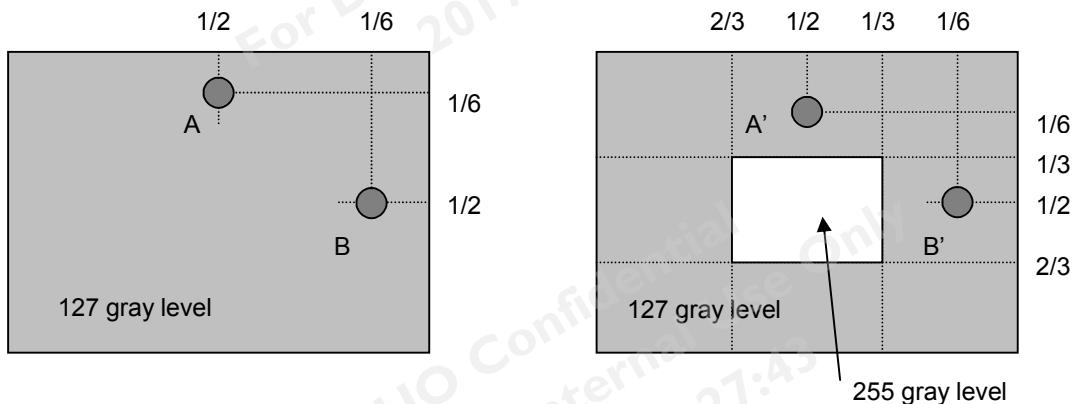
Note 5 : Definition of cross talk (CT)

$$CT = |YB - YA| / YA \times 100 (\%)$$

Where

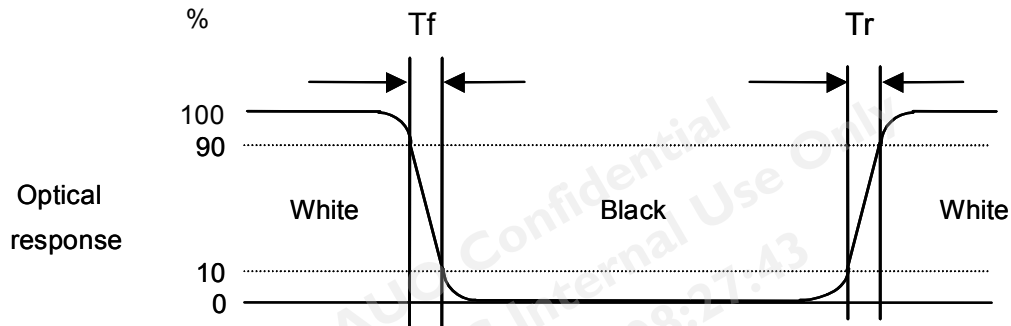
YA = Luminance of measured location without gray level 255 pattern (cd/m<sup>2</sup>)

YB = Luminance of measured location with gray level 255 pattern (cd/m<sup>2</sup>)



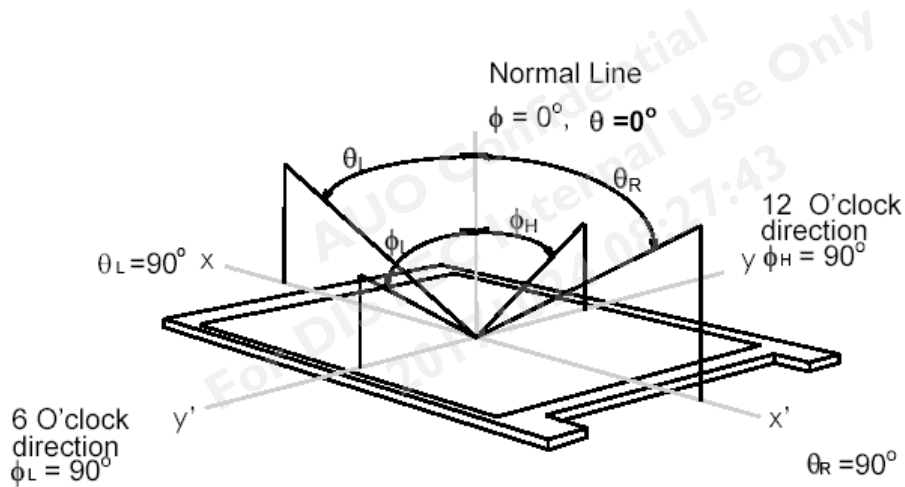
Note 6: Definition of response time:

The output signals of photo detector are measured when the input signals are changed from “White” to “Black” (falling time) and from “Black” to “White” (rising time), respectively. The response time interval is between 10% and 90% of amplitudes. Please refer to the figure as below.



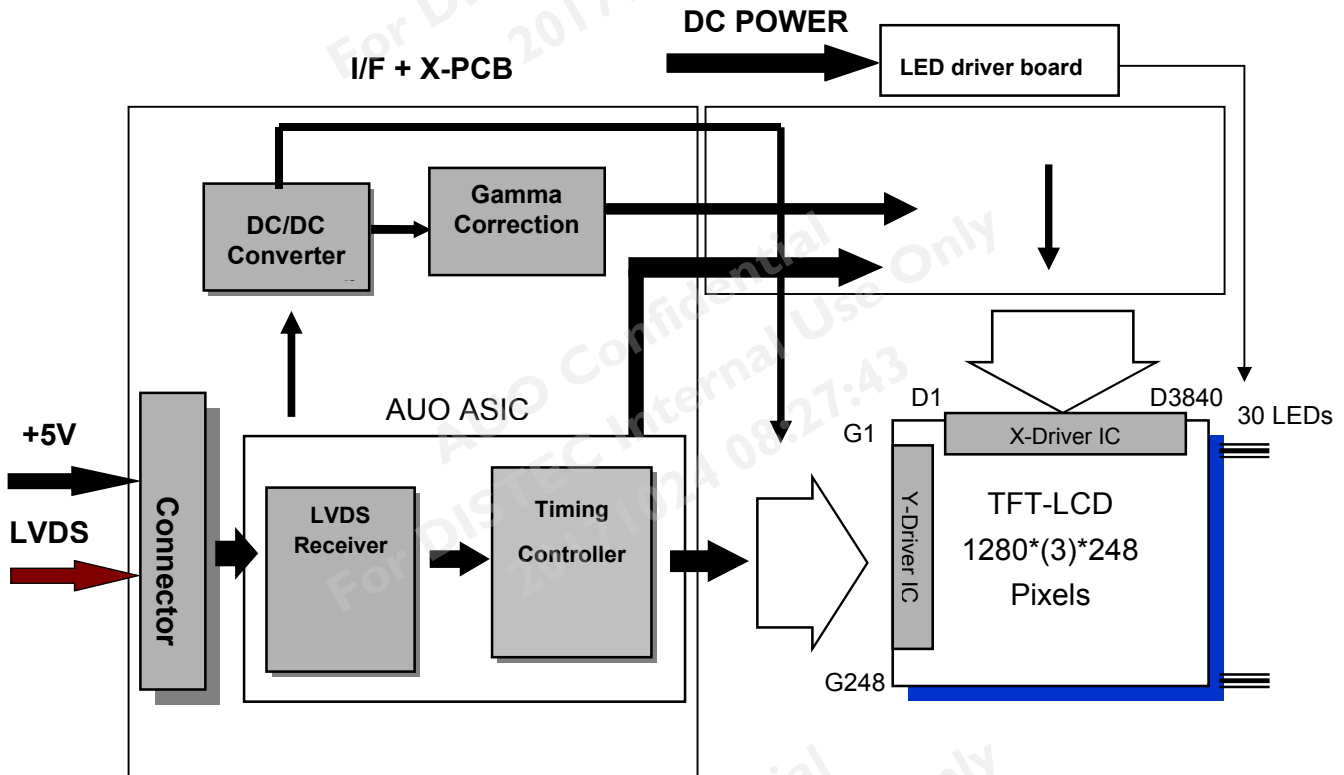
Note 7: Definition of viewing angle

Viewing angle is the measurement of contrast ratio  $\geq 10$ , at the screen center, over a  $180^\circ$  horizontal and  $180^\circ$  vertical range (off-normal viewing angles). The  $180^\circ$  viewing angle range is broken down as below:  $90^\circ$  ( $\theta$ ) horizontal left and right, and  $90^\circ$  ( $\Phi$ ) vertical high (up) and low (down). The measurement direction is typically perpendicular to the display surface with the screen rotated to its center to develop the desired measurement viewing angle.



## 3. Functional Block Diagram

The following diagram shows the functional block of the 15.1 inches wide Color TFT-LCD Module:



LVDS Connector: JAE (FI-XB30SSL-HF15) or equivalent.  
 LED Connector: STM,P24033P6 or equivalent.

## 4. Absolute Maximum Ratings

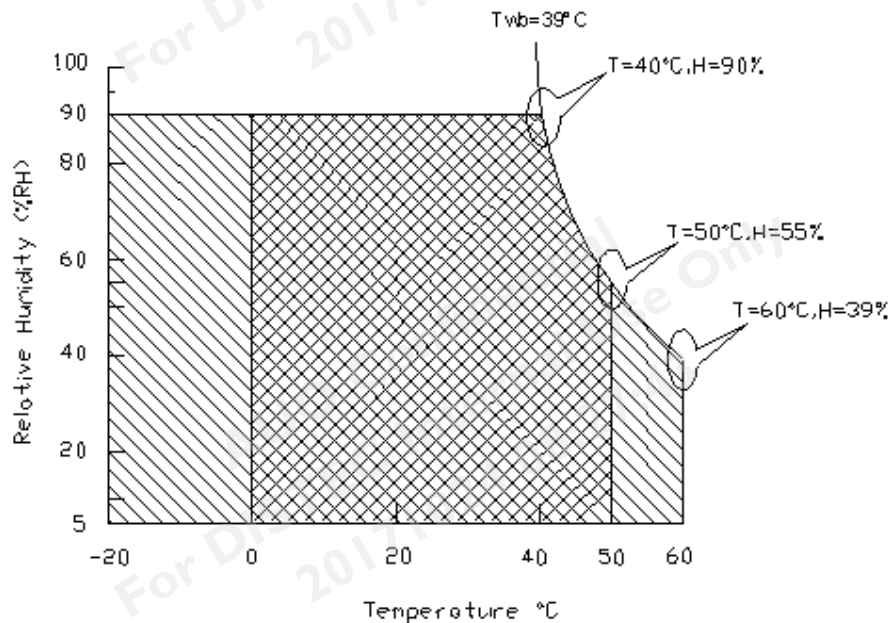
### 4.1 Absolute Ratings of TFT LCD Module




Item	Symbol	Min	Max	Unit
Logic/LCD Drive Voltage	VDD	-0.3	+5.5	[Volt]

### 4.2 Absolute Ratings of Environment

Item	Symbol	Min	Max	Unit
Operating Temperature	TOP	0	+50	[°C]
Operation Humidity	HOP	5	90	[%RH]
Storage Temperature	TST	-20	+60	[°C]
Storage Humidity	HST	5	90	[%RH]

Note: Maximum Wet-Bulb should be 39°C and no condensation.



Operating Range  Storage Range  + 

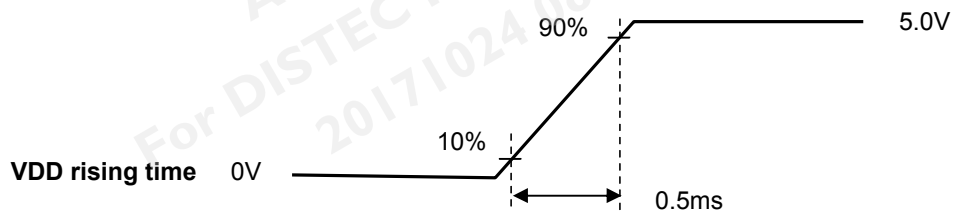
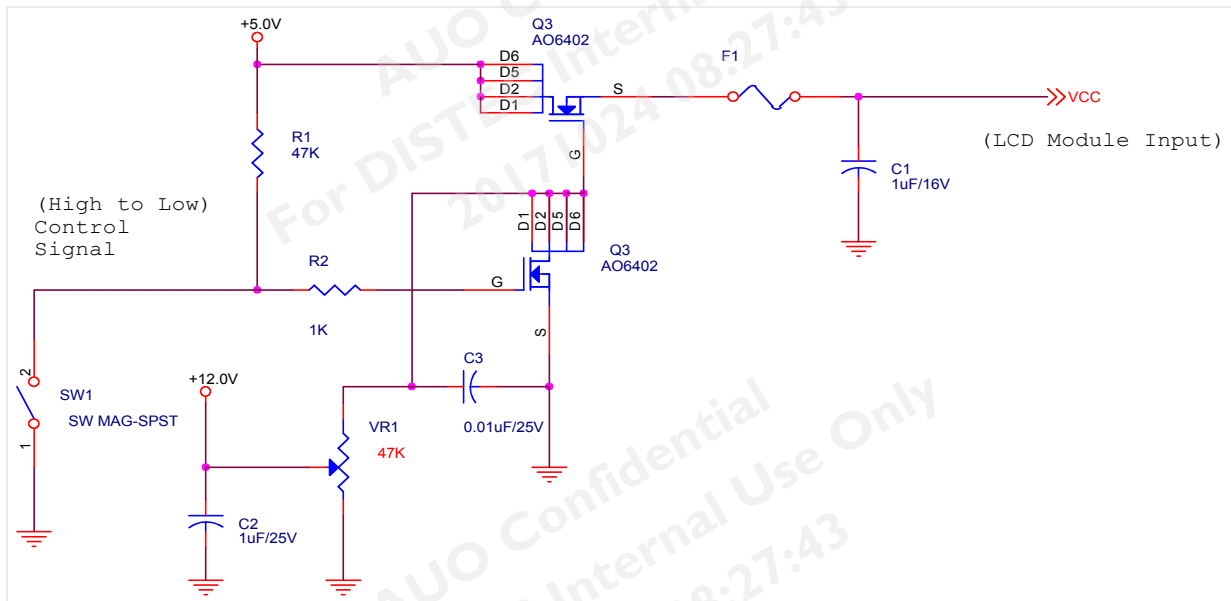
## 5. Electrical Characteristics

### 5.1 TFT LCD Module

#### 5.1.1 Power Specification

Symbol	Parameter	Min	Typ	Max	Units	Remark
VDD	Logic/LCD Drive Voltage	3.0	5.0	5.5	[Volt]	± 10%
IDD	VDD Current	-	0.25	-	[A]	VDD= 5.0V, All White Pattern At 60Hz
PDD	VDD Power	-	1.25	1.38	[Watt]	VDD= 5.0V, All White Pattern At 60Hz

Measurement condition:

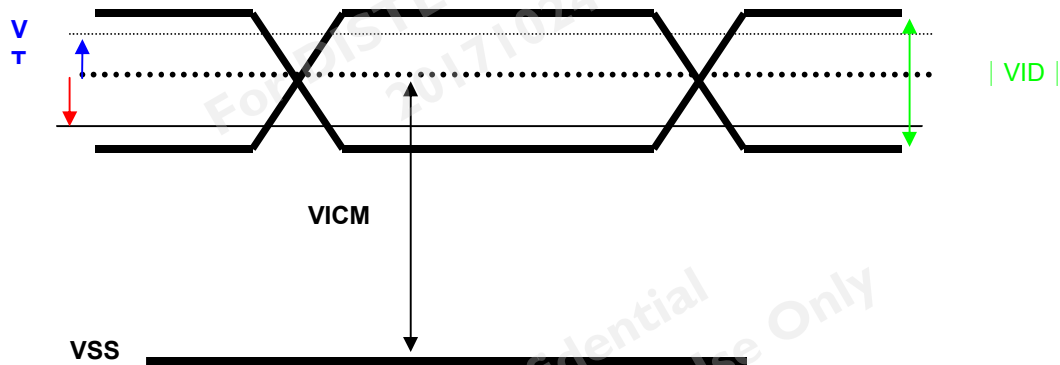


## 5.1.2 Signal Electrical Characteristics

Input signals shall be low or Hi-Z state when VDD is off.

Symbol	Item	Min.	Typ.	Max.	Unit	Remark
VTH	Differential Input High Threshold	-	-	100	[mV]	VCM=1.2V
VTL	Differential Input Low Threshold	-100	-	-	[mV]	VCM=1.2V
VID	Input Differential Voltage	100	400	600	[mV]	
VICM	Differential Input Common Mode Voltage	0.3	-	1.25	[V]	VTH/VTL=±100mV

Note: LVDS Signal Waveform.



## 5.2 Backlight Unit

### 5.2.1 LED Light Bar

Following characteristics are measured under stable condition at 25°C (Room Temperature).

Symbol	Parameter	Min	Typ	Max	Unit	Remark
VLED	Input Voltage	10.8	12	13.2	Volt	
ILED	Input Current	-	0.8	-	A	100% Dimming
PLED	Power Consumption	-	9.6	10.56	Watt	100% Dimming, Note3
FPWM	PWM Dimming Frequency	200	-	20K	Hz	
	Swing Voltage	3	3.3	5	Volt	
	Dimming Duty Cycle	10	-	100	%	
Vanalog	Analog Dimming Voltage	-	N/A	-		No Analog Dimming
Enable	High-level	2.5	5	5.5	Volt	
	Low-level	0	-	0.5	Volt	
Operating Life		50000	-	-	Hrs	Ta = 25°C

Note 1: Ta means ambient temperature of TFT-LCD module,

Note 2: If module is driven by high current or at high ambient temperature & humidity condition. The operating life will be reduced.

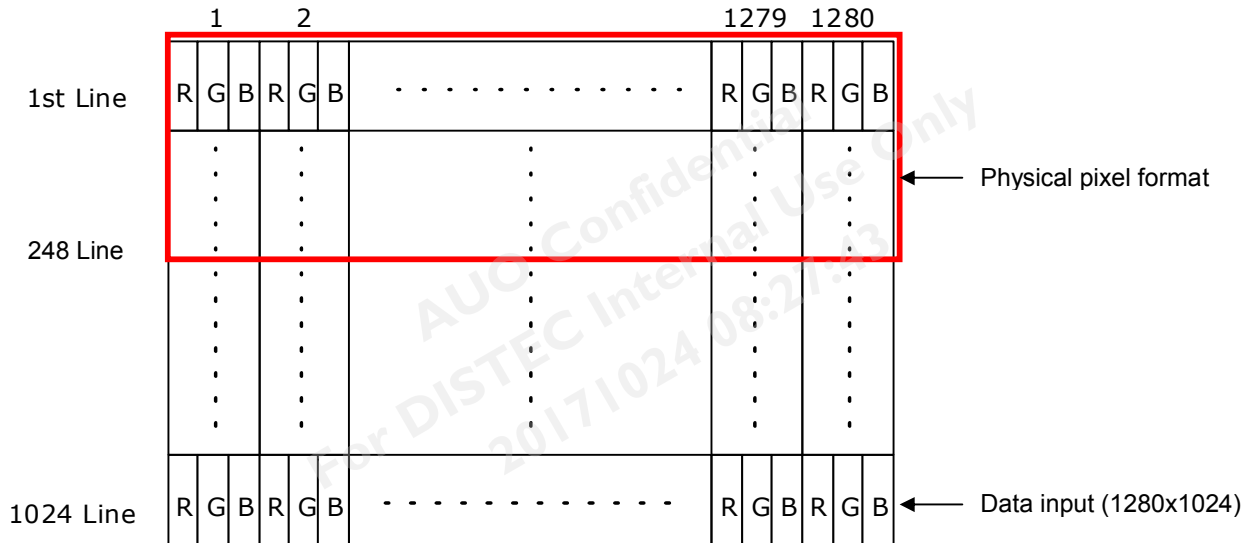
Note 3: LED light bar structure: (5 strings x 6pcs / string =30pcs of LED)

Note 4: Operating life means brightness goes down to 50% initial brightness. Typical operating life time is estimated data.

## 6. Signal Characteristic

### 6.1 Pixel Format Image

Following figure shows the relationship of the input signals and LCD pixel format.. Although this panel resolution is 1280x248, please input 1280x1024 format signal to it. And the data after line 249 (inlculde 249) ALL should be set to "black" command.



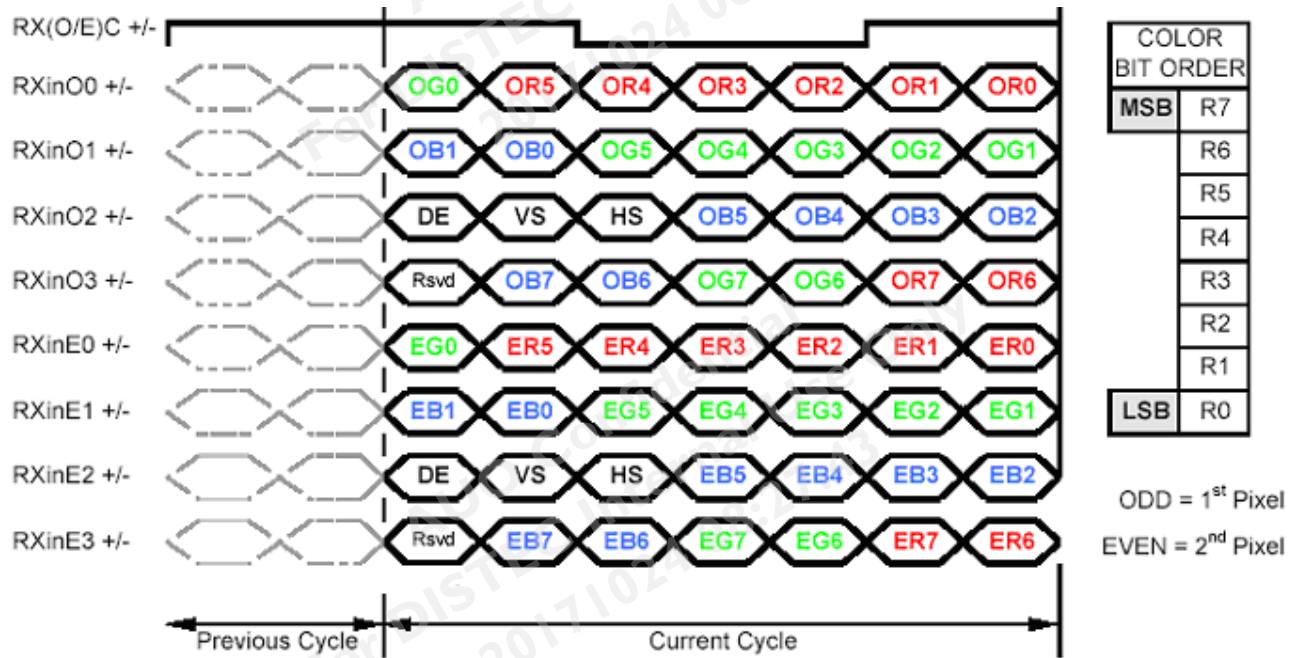


## 6.2 Signal Description

The module using a pair of LVDS receiver SN75LVDS82(Texas Instruments) or compatible. LVDS is a differential signal technology for LCD interface and high speed data transfer device. Transmitter shall be SN75LVDS83(negative edge sampling) or compatible. The first LVDS port(RxOxxx) transmits odd pixels while the second LVDS port(RxExxx) transmits even pixels.

PIN #	SIGNAL NAME	DESCRIPTION
1	RXinO0-	Negative LVDS differential data input (Odd data)
2	RXinO0+	Positive LVDS differential data input (Odd data)
3	RXinO1-	Negative LVDS differential data input (Odd data)
4	RXinO1+	Positive LVDS differential data input (Odd data)
5	RXinO2-	Negative LVDS differential data input (Odd data, H-Sync, V-Sync, DSPTMG)
6	RXinO2+	Positive LVDS differential data input (Odd data, H-Sync, V-Sync, DSPTMG)
7	GND	Power Ground
8	RxOCLKIN-	Negative LVDS differential clock input (Odd clock)
9	RxOCLKIN+	Positive LVDS differential clock input (Odd clock)
10	RXinO3-	Negative LVDS differential data input (Odd data)
11	RXinO3+	Positive LVDS differential data input (Odd data)
12	RXinE0-	Negative LVDS differential data input (Even data)
13	RXinE0+	Positive LVDS differential data input (Even data)
14	GND	Power Ground
15	RXinE1-	Positive LVDS differential data input (Even data)
16	RXinE1+	Negative LVDS differential data input (Even data)
17	GND	Power Ground
18	RXinE2-	Negative LVDS differential data input (Even data)
19	RXinE2+	Positive LVDS differential data input (Even data)
20	RxECLKIN-	Negative LVDS differential clock input (Even clock)
21	RxECLKIN+	Positive LVDS differential clock input (Even clock)
22	RXinE3-	Negative LVDS differential data input (Even data)
23	RXinE3+	Positive LVDS differential data input (Even data)
24	GND	Power Ground
25	NC	No contact (For AUO test only)
26	NC	No contact (For AUO test only)
27	NC	No contact (For AUO test only)
28	VCC	+5.0V Power Supply
29	VCC	+5.0V Power Supply
30	VCC	+5.0V Power Supply

## 6.3 The Input Data Format



Note1: 8-bits signal input.

Note2: L:NS alike H:Thine alike

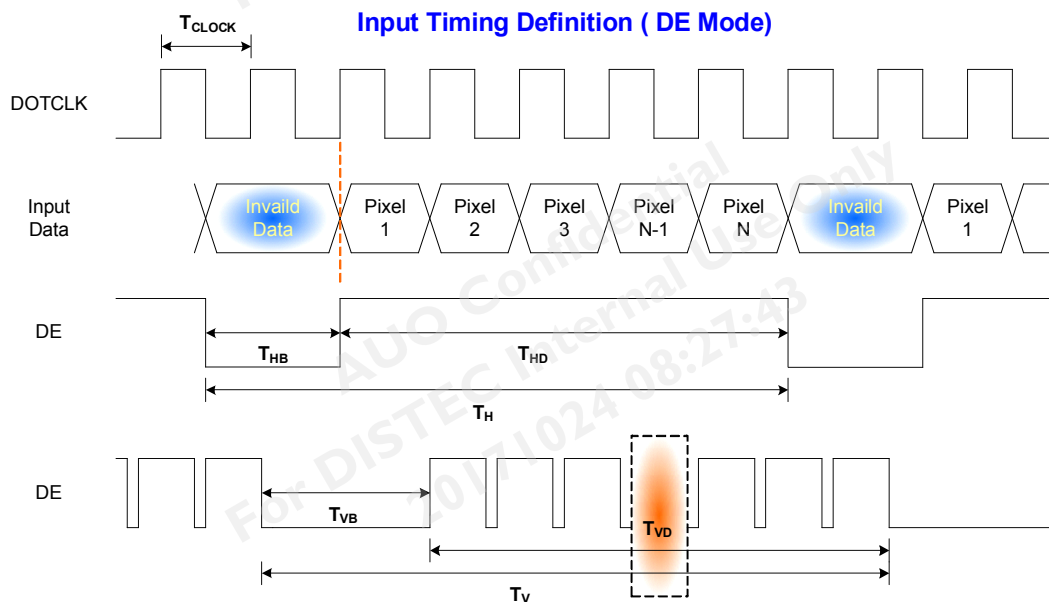
## 6.4 Interface Timing

### 6.4.1 Timing Characteristics

Signal	Item	Symbol	Min	Typ	Max	Unit
Clock	Frequency	$1/T_{\text{Clock}}$	30	54	83	MHz
Frame Rate	Frequency	$1/T_v$	50	60	75	Hz
Vertical Section	Period	$T_v$	1035	1066	2047	T_line
	Active	$T_{vD}$	-	1024	-	
	Blanking	$T_{vB}$	11	42	1023	
Horizontal Section	Period	$T_H$	720	844	1024	T_clock
	Active	$T_{HD}$	-	640	-	
	Blanking	$T_{HB}$	80	204	384	

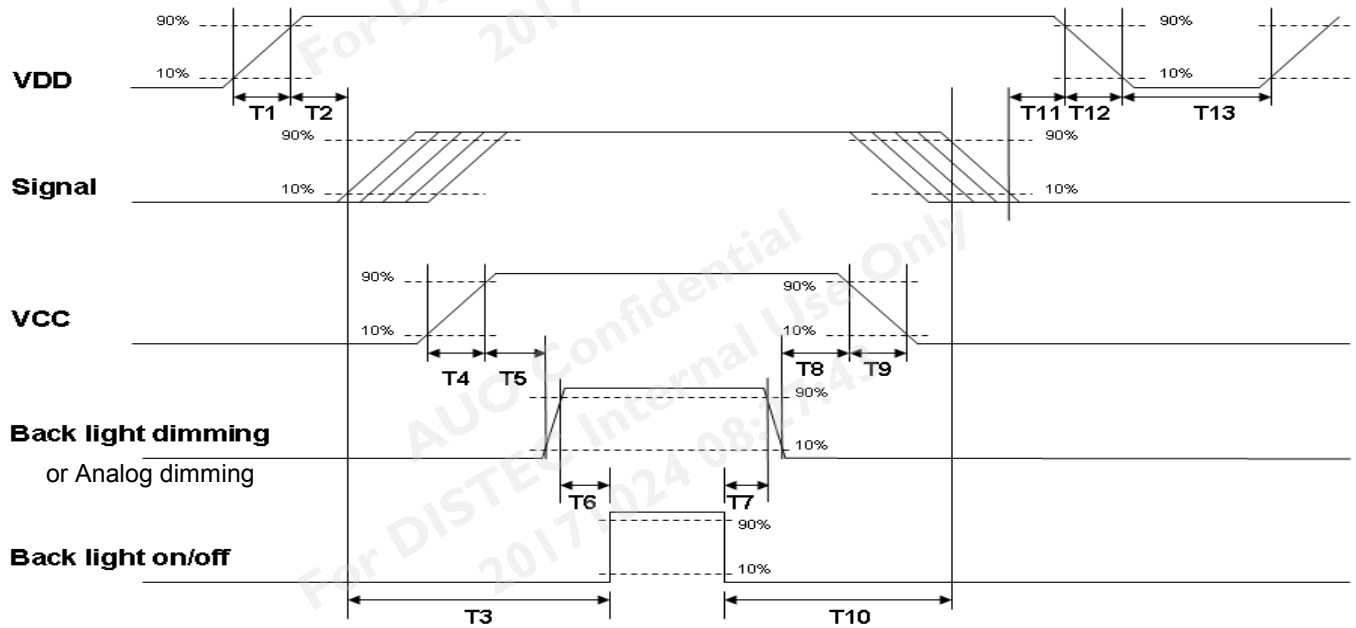
Note: DE mode only.

### 6.4.2 Input Timing Diagram



## 6.5 Power ON/OFF Sequence

VDD power and B/L on/off sequence is as below. Interface signals are also shown in the chart. Signals from any system shall be Hi-Z state or low level when VDD is off.



Power ON/OFF sequence timing

Parameter	Value			Units
	Min.	Typ.	Max.	
T1	0.5	--	10	[ms]
T2	30	40	50	[ms]
T3	200	--	--	[ms]
T4	0.5	--	10	[ms]
T5	10	--	--	[ms]
T6	10	--	--	[ms]
T7	0	--	--	[ms]
T8	10	--	--	[ms]
T9	--	--	10	[ms]
T10	110	--	--	[ms]
T11	0	16	50	[ms]
T12	--	--	10	[ms]
T13	1000	--	--	[ms]

The above on/off sequence should be applied to avoid abnormal function in the display. Please make sure to turn off the power when you plug the cable into the input connector or pull the cable out of the connector.

## 7. Connector & Pin Assignment

Physical interface is described as for the connector on module. These connectors are capable of accommodating the following signals and will be following components.

### 7.1 TFT LCD Module: LVDS Connector

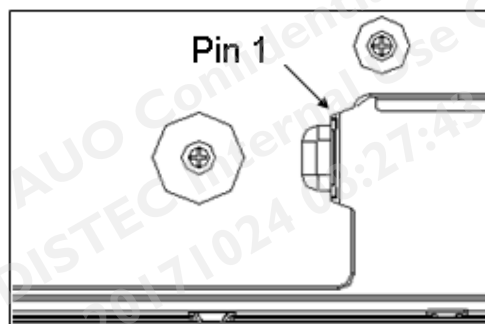
Connector Name / Designation	Interface Connector / Interface card
Manufacturer	LVDS: JAE or compatible
Type Part Number	LVDS : JAE (FI-XB30SSL-HF15) or equivalent.
Mating Housing Part Number	FI-X30H (JAE) or compatible

Pin#	Signal Name	Pin#	Signal Name
1	RxOIN0-	2	RxOIN0+
3	RxOIN1-	4	RxOIN1+
5	RxOIN2-	6	RxOIN2+
7	GND	8	RxOCLKIN-
9	RxOCLKIN+	10	RxOIN3-
11	RxOIN3+	12	RxEIN0-
13	RxEIN0+	14	GND
15	RxEIN1-	16	RxEIN1+
17	GND	18	RxEIN2-
19	RxEIN2+	20	RxECLKIN-
21	RxECLKIN+	22	RxEIN3-
23	RxEIN3+	24	GND
25	NC	26	NC
27	NC	28	VCC
29	VCC	30	VCC

## 7.2 Backlight Unit: LED Connector

Connector Name / Designation	LED Connector
Manufacturer	SIN SHENG or compatible
Connector Model Number	STM,P24033P6
Mating Model Number	2404PS-2 or compatible

PIN #	SIGNAL NAME	DESCRIPTION
1	V12	Input voltage, 12V
2	V12	Input voltage, 12V
3	V12	Input voltage, 12V
4	-	NC
5	GND	Ground
6	GND	Ground
7	GND	Ground
8	BL_EN	Back light enable, 5V
9	BL_DIM_P	Back light dimming, 3.3V



## 8. Reliability Test

Environment test conditions are listed as following table.

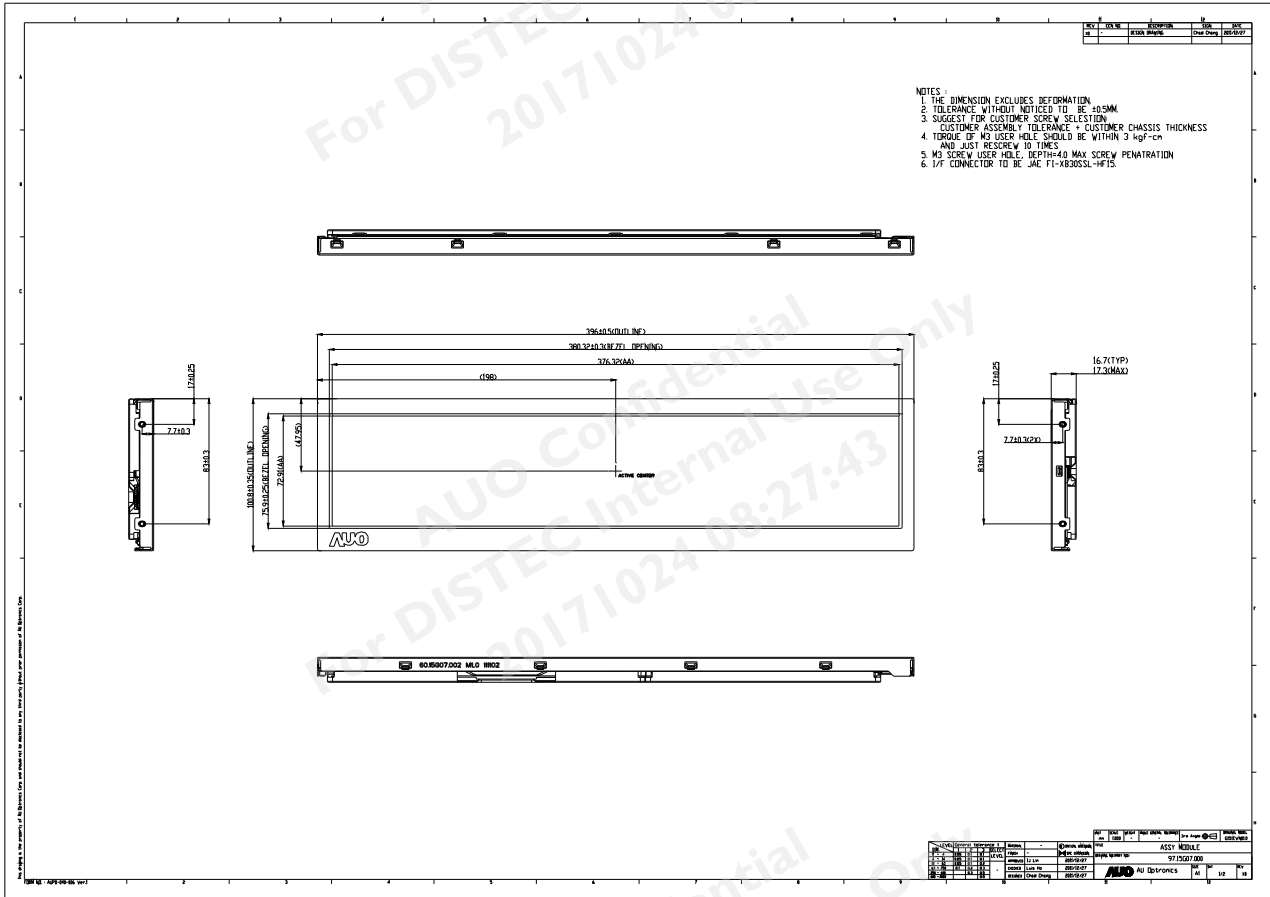
Items	Required Condition	Note
Temperature Humidity Bias	Ta= 50°C, 80%RH, 300hours	
High Temperature Operation	Ta= 50°C, 300hours	
Low Temperature Operation	Ta= 0°C, 300hours	
High Temperature Storage	Ta= 60°C, 300hours	
Low Temperature Storage	Ta= -20°C, 300hours	
Thermal Shock Test	-20°C/30min, 60°C/30min, 100 cycles	
Shock Test (Non-Operating)	50G,20ms,Half-sine wave,( ±X, ±Y, ±Z)	
Vibration Test (Non-Operating)	1.5G, (10~200Hz, P-P) 30 mins/axis (X, Y, Z)	
On/off test	On/10 sec, Off/10 sec, 30,000 cycles	
ESD	Contact Discharge: ± 8KV, 150pF(330Ω ) 1sec, 8 points, 25 times/ point.	Note 1
	Air Discharge: ± 15KV, 150pF(330Ω ) 1sec 8 points, 25 times/ point.	

Note1: According to EN61000-4-2, ESD class B: Some performance degradation allowed. No data lost

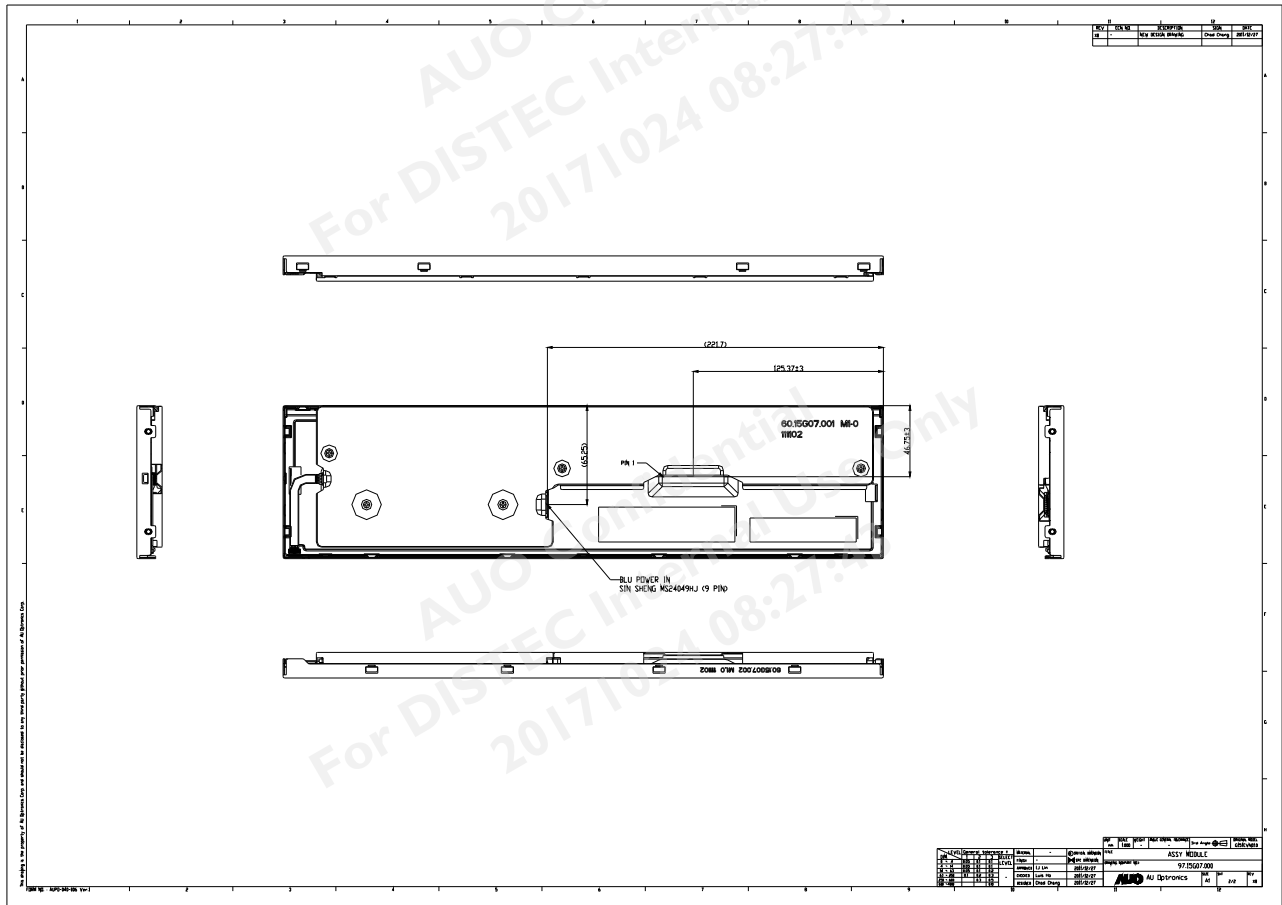
- Self-recoverable. No hardware failures.



## 9. Mechanical Characteristics

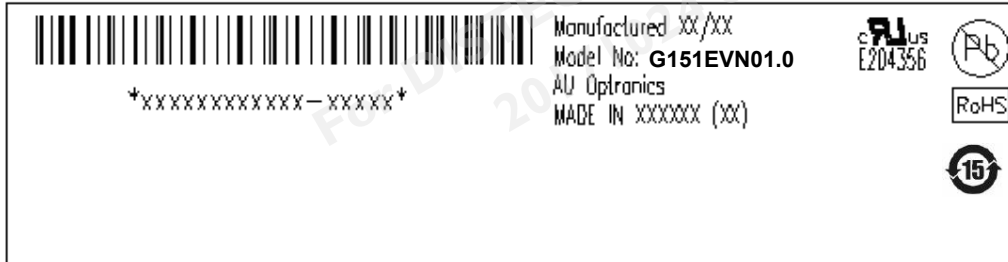






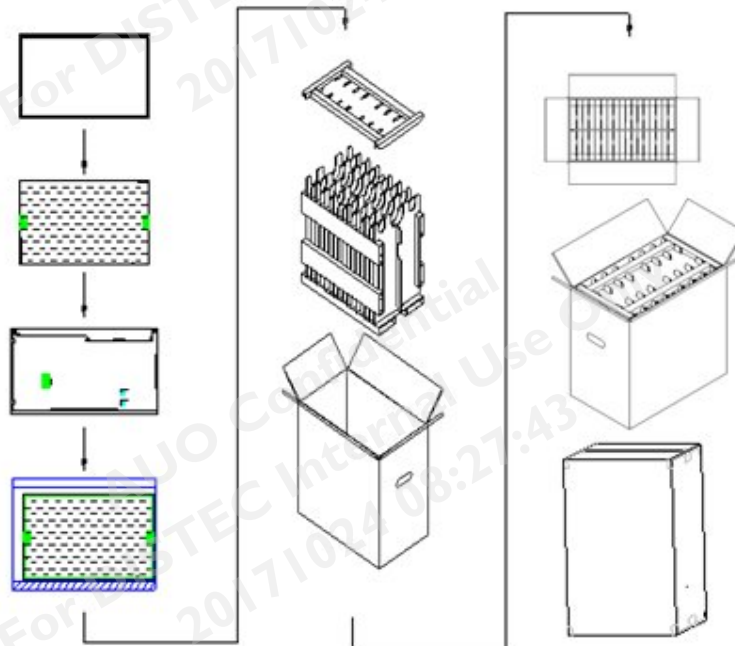
## 10. Label and Packaging

### 10.1 Shipping Label (on the rear side of TFT-LCD display)



### 10.2 Carton Package

- The outside dimension of carton is 478(L)mm\* 281(W)mm\*488(H)mm, carton and cushion weight are 2820g.
- 30 pieces per carton box.
- 2\*4 boxes per layer. By air, 2 layer / pallet. By sea, refer packing documents. Pallet size (not include carton boxes): 1150 mm \* 980 mm \* 132 mm



## 11. Safety

### 11.1 Sharp Edge Requirements

There will be no sharp edges or comers on the display assembly that could cause injury.

### 11.2 Materials

#### 11.2.1 Toxicity

There will be no carcinogenic materials used anywhere in the display module. If toxic materials are used, they will be reviewed and approved by the responsible AUO toxicologist.

#### 11.2.2 Flammability

All components including electrical components that do not meet the flammability grade UL94-V1 in the module will complete the flammability rating exception approval process.

The printed circuit board will be made from material rated 94-V1 or better. The actual UL flammability rating will be printed on the printed circuit board.

### 11.3 Capacitors

If any polarized capacitors are used in the display assembly, provisions will be made to keep them from being inserted backwards.

### 11.4 National Test Lab Requirement

The display module will satisfy all requirements for compliance to:

**UL 60950-1, 2nd Edition, 2007-03027** (Information Technology Equipment)

Our company network supports you worldwide with offices in Germany, Austria, Switzerland, the UK and the USA. For more information please contact:

## Headquarters

### Germany



#### FORTEC Elektronik AG

Augsburger Str. 2b  
82110 Germering

Phone: +49 89 894450-0  
E-Mail: [info@forteca.de](mailto:info@forteca.de)  
Internet: [www.forteca.de](http://www.forteca.de)

## Fortec Group Members

### Austria



#### Distec GmbH Office Vienna

Nuschinggasse 12  
1230 Wien

Phone: +43 1 8673492-0  
E-Mail: [info@distec.de](mailto:info@distec.de)  
Internet: [www.distec.de](http://www.distec.de)

### Germany



#### Distec GmbH

Augsburger Str. 2b  
82110 Germering

Phone: +49 89 894363-0  
E-Mail: [info@distec.de](mailto:info@distec.de)  
Internet: [www.distec.de](http://www.distec.de)

### Switzerland



#### ALTRAC AG

Bahnhofstraße 3  
5436 Würenlos

Phone: +41 44 7446111  
E-Mail: [info@altrac.ch](mailto:info@altrac.ch)  
Internet: [www.altrac.ch](http://www.altrac.ch)

### United Kingdom



#### Display Technology Ltd.

Osprey House, 1 Osprey Court  
Hichingbrooke Business Park  
Huntingdon, Cambridgeshire, PE29 6FN

Phone: +44 1480 411600  
E-Mail: [info@displaytechnology.co.uk](mailto:info@displaytechnology.co.uk)  
Internet: [www.displaytechnology.co.uk](http://www.displaytechnology.co.uk)

### USA



#### Apollo Display Technologies, Corp.

87 Raynor Avenue,  
Unit 1 Ronkonkoma,  
NY 11779

Phone: +1 631 5804360  
E-Mail: [info@apolloDisplays.com](mailto:info@apolloDisplays.com)  
Internet: [www.apolloDisplays.com](http://www.apolloDisplays.com)