



OUR GLOBAL
COMPETENCE
CENTRES

 APOLLO DISPLAY
TECHNOLOGIES



 DISTEC



 DISPLAY
TECHNOLOGY



Datasheet

Distec

DI-PPC-Z156PW-N4200

MO-60-054

15.6" industrial Stainless Steel Panel PC with Projected Capacitive Touch and Intel® Pentium® N4200 Embedded Processor



IP6XSERIES

Version 0.1

08.02.2022



The information contained in this document has been carefully researched and is, to the best of our knowledge, accurate. However, we assume no liability for any product failures or damages, immediate or consequential, resulting from the use of the information provided herein. Our products are not intended for use in systems in which failures of product could result in personal injury. All trademarks mentioned herein are property of their respective owners. All specifications are subject to change without notice.

Table of Contents

| | | |
|------|----------------------------------------------------|----|
| 1 | Revision History | 4 |
| 2 | Description | 5 |
| 3 | Features | 5 |
| 4 | Specification | 6 |
| 5 | Interfaces | 7 |
| 6 | Mechanical Drawing | 7 |
| 7 | Ordering Information | 8 |
| 8 | Packing List | 8 |
| 9 | Optional Accessories | 8 |
| 10 | Operating System – Windows 10 IoT Enterprise | 8 |
| 11 | Mounting | 9 |
| 11.1 | Wall Mount | 9 |
| 11.2 | Yoke Mount..... | 9 |
| 11.3 | VESA Mount (75x75mm or 100x100mm)..... | 10 |

1 Revision History

| Date | Rev.No. | Description | Page |
|------------|---------|---------------------|------|
| 08.02.2022 | 0.1 | Preliminary Version | All |
| | | | |
| | | | |
| | | | |
| | | | |
| | | | |
| | | | |
| | | | |
| | | | |
| | | | |
| | | | |
| | | | |
| | | | |
| | | | |
| | | | |
| | | | |
| | | | |

2 Description

Distec's IP6X Series represents a line of hygienic, heavy-duty, and outstandingly corrosion-resistant computing solutions. The DI-PPC-Z156PW-N4200 is the 15.6" variant of the series and offers a resolution of 1920x1080 (FHD) with a maximum brightness of 450 cd/m². The panel PCs are enclosed in a 360° IP66/69K food grade stainless-steel housing and feature a 10 finger PCAP touchscreen.

Being able to withstand heavy washdowns, it can fulfill strict sanitary requirements to ensure food safety and prevent contamination. The robust IP6X Series is the perfect choice for demanding environments such as food & beverage processing, pharmaceutical, and chemical applications.

More details regarding available application software and operating systems can be found in our corresponding [IQ-flyer](#).

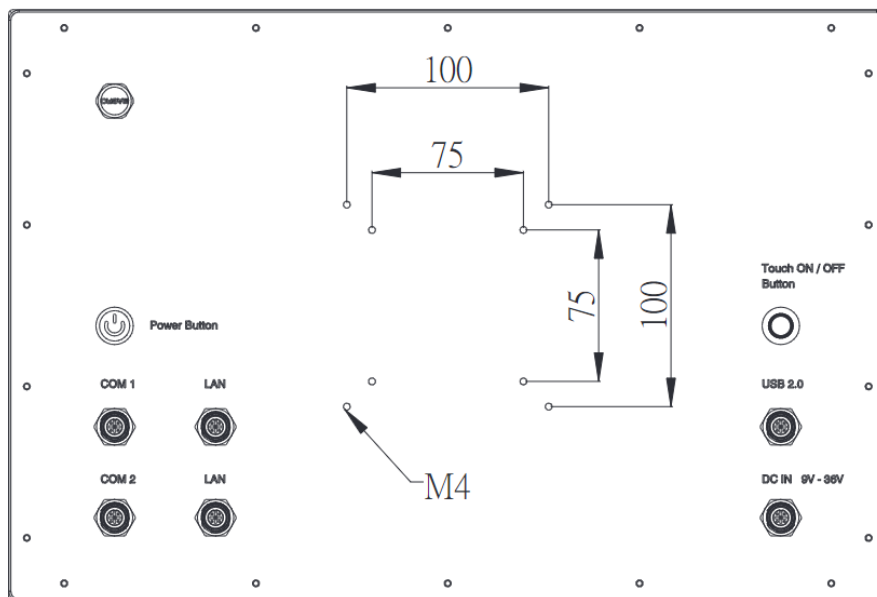
3 Features

- Fanless Design with Intel® Pentium™ N4200 Processor
- 8GB Memory and 64GB SSD onboard
- Food grade 316 Stainless Steel Chassis
- Full IP66/69K Design
- ARGO SS316 Pressure Balance
- 10 finger PCAP touchscreen
- Completely Flat Front Panel Design
- Supports VESA Mount, Wall Mount and Yoke Mount
- Optional with worldwide valid Windows Embedded IoT Version

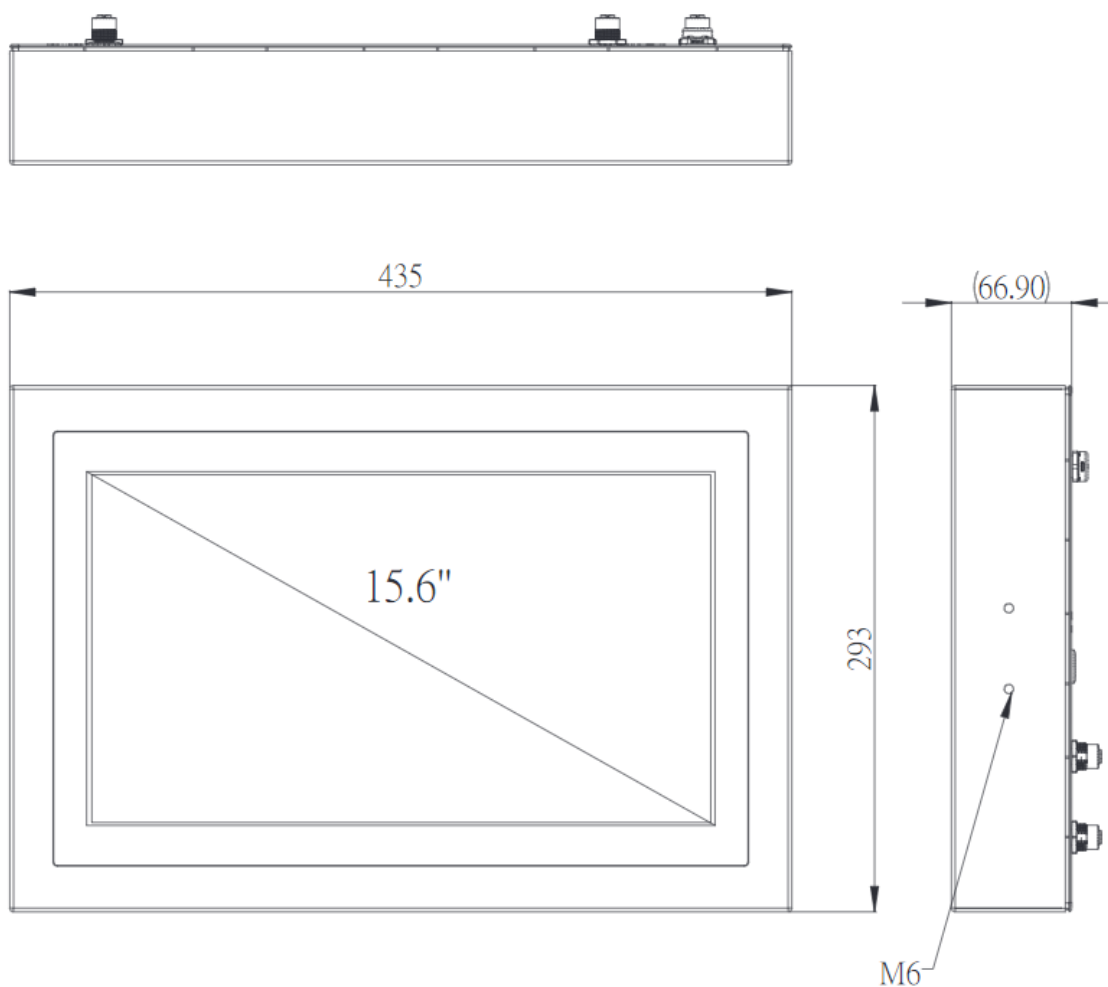
4 Specification

| | | |
|----------------------|-----------------------|---------------------------------------------------------------------------|
| Display | Size | 15.6" LCD Panel |
| | Resolution | 1920 x 1080 Full HD |
| | Brightness | 450 cd/m ² |
| | Viewing Angle | H160 x V160 |
| | Aspect Ratio | 16:9 |
| | Contrast Ratio | 500:1 |
| | Response Time | 30 msec |
| Touchscreen | Type | Projected Capacitive Touch |
| | Touchpoints | Up to 10 |
| | Surface Hardness | 7 Mohs |
| | Transparency | 90% (+/- 3%) |
| Processor | CPU | Intel® Pentium® N4200 |
| | Frequency | 1.1 GHz, up to 2.5 GHz |
| | Cores / Threads | 4 / 4 |
| | Embedded Version | Yes |
| Memory | Max. capacity | 8GB |
| | Technology | Dual Channel DDR3L 1866MHz |
| | Socket | 2x SO-DIMM |
| Graphics | Processor Graphics | Intel® HD-Grafik 505 |
| Storage | M.2 | 1x M.2 2242 Key M (SATA III) |
| Expansion | MiniPCIe | 1x (PCIe x1, USB 2.0) Full Size w. SIM Holder |
| I/O Interface | LAN 1 | Intel® 10/100/1000 I219V (M12 Connector) |
| | LAN 2 | Intel® 10/100/1000 I211AT (M12 Connector) |
| | USB | 2x USB 2.0 (M12 Connector) |
| | Serial Port | 1x RS232 (M12 Connector) 1x RS232/422/485 (M12 Connector) |
| | Power Supply | 9-36V DC-in (M12 Connector) |
| | Power | Power Mode |
| Power Connector | | M12 |
| Power Consumption | | Typical 2.38A @ 12V (28.56W) |
| Mounting | | VESA |
| | Yoke Mount | Optional Accessories |
| | Wall Mount | Optional Accessories |
| Other | TPM | Optional |
| | Watchdog Timer | Yes |
| General | Operating Temperature | -20°...+60°C with Extended Temp. RAM & SSD |
| | Storage Temperature | -40...+85°C |
| | Humidity | 5...95% @ 40° (non-condensing) |
| | Vibration | 5-500 Hz, 0.026G ² /Hz, 2.16 Grms, X, Y, Z, 1 Hour per Axis |
| | Shock | 20G, IEC 60068-2-27, half sine, 11ms Duration |
| | Dimensions | 435 x 293 x 66.90 mm |
| | Housing | Stainless Steel 316 |
| | Thermal Design | Fanless |
| | Protection | Full IP66/IP69K |
| | Weight | 7.42 kg |
| | Certifications | CE / FCC Class A |
| | Operating System | Windows 10 (IoT/Pro), Linux Kernel 4.0 or above |

5 Interfaces



6 Mechanical Drawing



7 Ordering Information

| SAP ID | Description |
|------------------------------------|-----------------------------------------------------------------------------------------------------------------------------------------------------------------------------------------------------------------------------------------------------------------------------------------|
| DI-PPC-Z156PW-N4200 (MO-60-054) | 15.6" 16:9 (1920 x 1080), 450 nits, 316 Stainless Steel, Full IP66/69K Protection, Fanless Panel PC with Intel® Pentium™ N4200 CPU, Projected Capacitive Touch, 8G RAM, 64G M.2 TLC, 1x M12 for 2x USB2.0, 1x RS-232, 1x RS-232/422/485, 2x GbE, DC 9~36 V, M12 Connector |

8 Packing List

| Packing List | QTY | |
|-----------------------|-----|------------------------------------------|
| Panel PC | 1X | DI-PPC-Z156PW-N4200 |
| M12 USB Cable | 1x | M12 Connector to 2 port USB2.0 Cable, 2m |
| M12 COM Cable | 1x | M12 Connector to DB9 Cable, 2m |
| M12 LAN Cable | 1x | M12 Connector to LAN Cable, 2m |
| M12 Power Supply Unit | 1x | 12V, 60W, 5A, 5-pin M12 Connector (EU) |

9 Optional Accessories

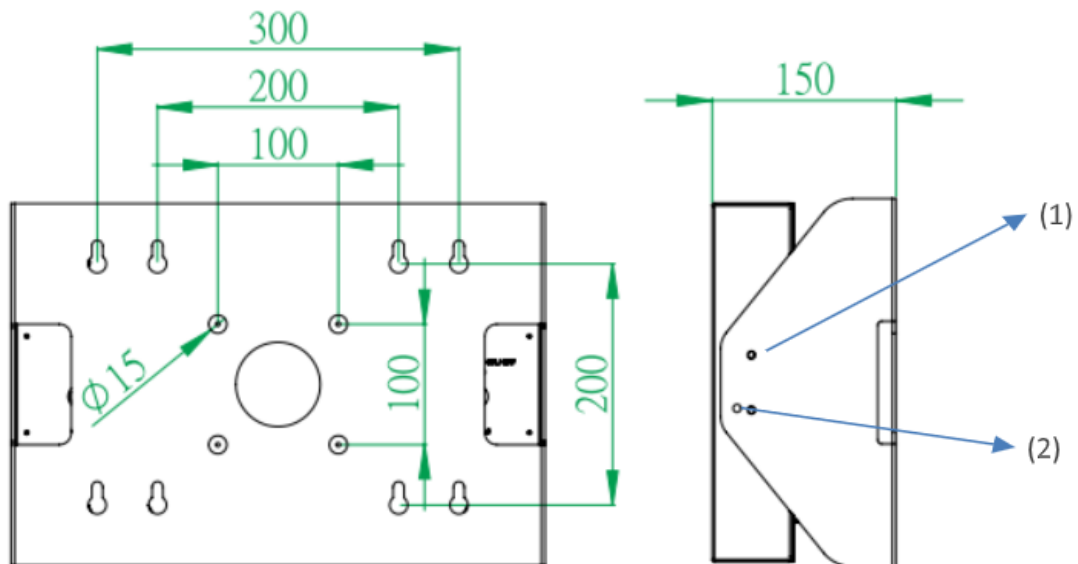
| Mounting | | |
|---------------------|--|--------------------------------------------------------|
| Wall Mounting Frame | | 316 Stainless Steel Wall Mount Kit, Thickness 3 mm |
| Mounting Frame | | 316 Stainless Steel 316 Yoke Mount Kit, Thickness 3 mm |

10 Operating System – Windows 10 IoT Enterprise

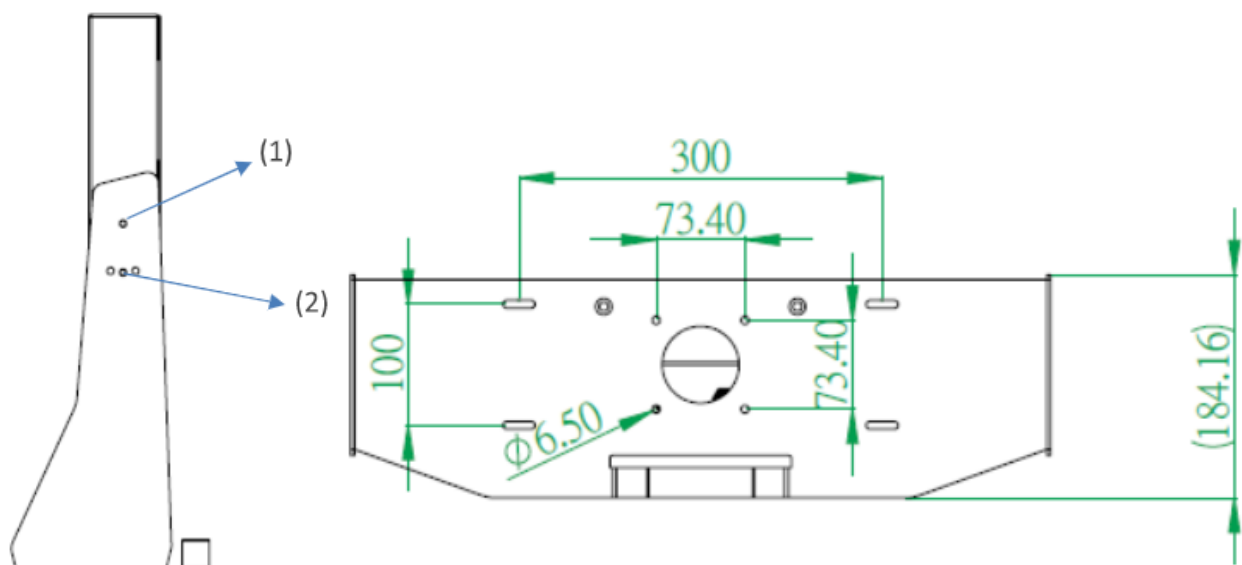
The Box PC comes optional with pre-installed "ready-to-use" Windows 10 IoT Enterprise LTSC Standard Image for worldwide use.

11 Mounting

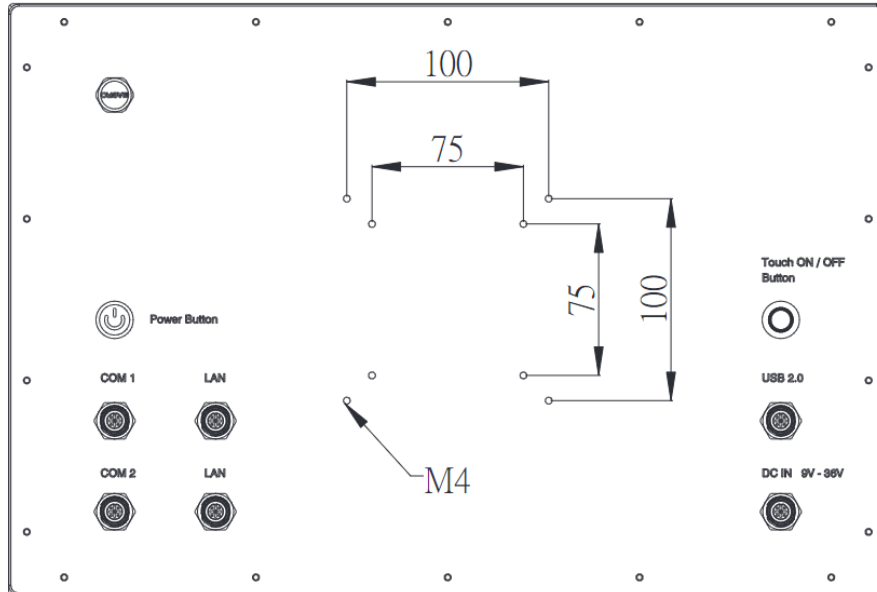
11.1 Wall Mount



11.2 Yoke Mount



11.3 VESA Mount (75x75mm or 100x100mm)



Our company network supports you worldwide with offices in Germany, Austria, Switzerland, the UK and the USA. For more information please contact:

Headquarters

Germany



FORTEC Elektronik AG

Augsburger Str. 2b
82110 Germering

Phone: +49 89 894450-0
E-Mail: info@fortecag.de
Internet: www.fortecag.de

Fortec Group Members

Austria



Distec GmbH Office Vienna

Nuschinggasse 12
1230 Wien

Phone: +43 1 8673492-0
E-Mail: info@distec.de
Internet: www.distec.de

Germany



Distec GmbH

Augsburger Str. 2b
82110 Germering

Phone: +49 89 894363-0
E-Mail: info@distec.de
Internet: www.distec.de

Switzerland



ALTRAC AG

Bahnhofstraße 3
5436 Würenlos

Phone: +41 44 7446111
E-Mail: info@altrac.ch
Internet: www.altrac.ch

United Kingdom



Display Technology Ltd.

Osprey House, 1 Osprey Court
Hinchingsbrooke Business Park
Huntingdon, Cambridgeshire, PE29 6FN

Phone: +44 1480 411600
E-Mail: info@displaytechnology.co.uk
Internet: www.displaytechnology.co.uk

USA



Apollo Display Technologies, Corp.

87 Raynor Avenue, Unit 1
Ronkonkoma, NY 11779

Phone: +1 631 5804360
E-Mail: info@apolloDisplays.com
Internet: www.apolloDisplays.com