



OUR GLOBAL
COMPETENCE
CENTRES

 APOLLO DISPLAY
TECHNOLOGIES



 DISTEC



 DISPLAY
TECHNOLOGY



Datasheet

Distec

DI-PPC-Z190PW-7100

MO-60-052

**19" industrial Stainless Steel Panel PC with Projected Capacitive Touch and
Intel® Core® i3-7100U Embedded Processor**



IP6XSERIES

Version 0.1

08.02.2022



The information contained in this document has been carefully researched and is, to the best of our knowledge, accurate. However, we assume no liability for any product failures or damages, immediate or consequential, resulting from the use of the information provided herein. Our products are not intended for use in systems in which failures of product could result in personal injury. All trademarks mentioned herein are property of their respective owners. All specifications are subject to change without notice.

Table of Contents

1 Revision History	4
2 Description	5
3 Features	5
4 Specification	6
5 Interfaces	7
6 Mechanical Drawing	7
7 Ordering Information	8
8 Packing List	8
9 Optional Accessories	8
10 Operating System – Windows 10 IoT Enterprise	8
11 Mounting	9
11.1 Wall Mount	9
11.2 Yoke Mount.....	9
11.3 VESA Mount (75x75mm or 100x100mm).....	10

1 Revision History

Date	Rev.No.	Description	Page
08.02.2022	0.1	Preliminary Version	All

2 Description

Distec's IP6X Series represents a line of hygienic, heavy-duty, and outstandingly corrosion-resistant computing solutions. The DI-PPC-Z156PW-7100 is the 19" variant of the series and offers a resolution of 1280 x 1024. The panel PCs are enclosed in a 360° IP66/69K food grade stainless-steel housing and feature a 10 finger PCAP touchscreen.

Being able to withstand heavy washdowns, it can fulfill strict sanitary requirements to ensure food safety and prevent contamination. The robust IP6X Series is the perfect choice for demanding environments such as food & beverage processing, pharmaceutical, and chemical applications.

More details regarding available application software and operating systems can be found in our corresponding [IQ-flyer](#).

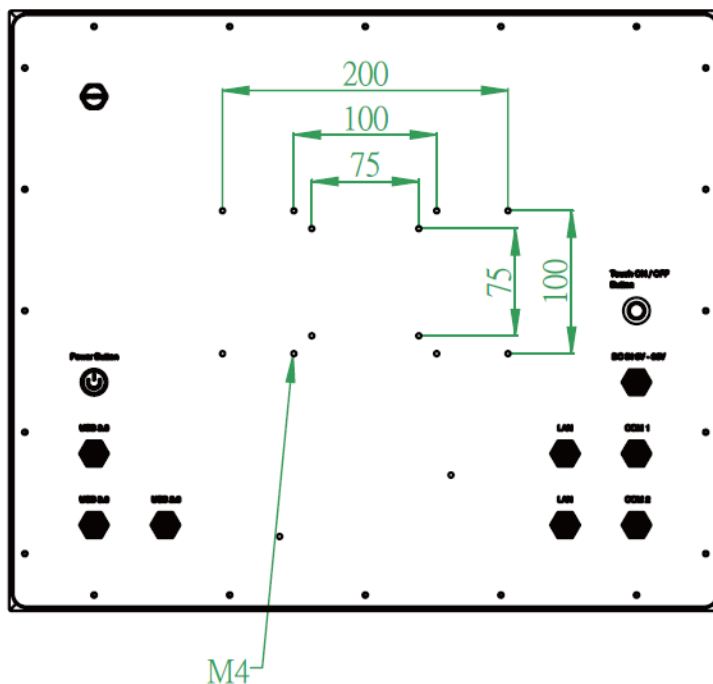
3 Features

- Fanless Design with Intel® Core i3 7100U Processor
- 8GB Memory and 128GB SSD onboard
- Food grade 316 Stainless Steel Chassis
- Full IP66/69K Design
- ARGO SS316 Pressure Balance
- 10 finger PCAP touchscreen
- Completely Flat Front Panel Design
- Supports VESA Mount, Wall Mount and Yoke Mount
- Optional with worldwide valid Windows Embedded IoT Version

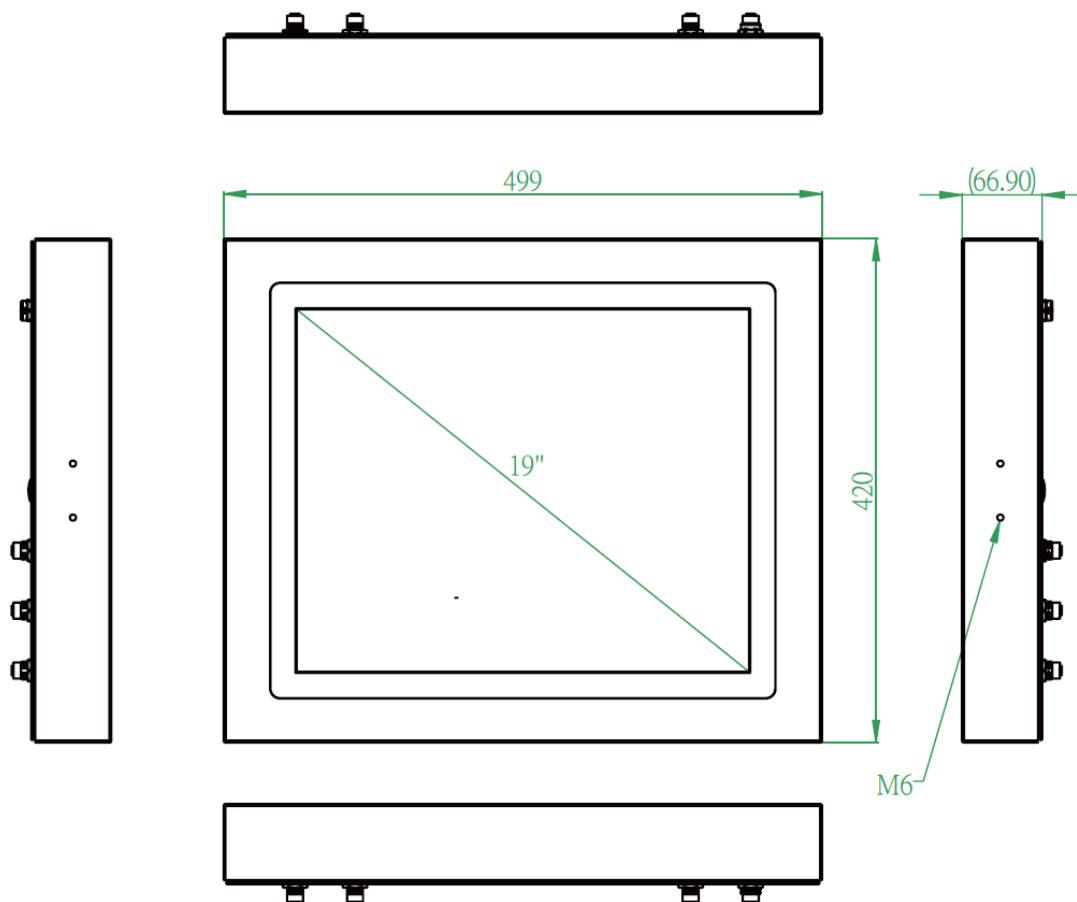
4 Specification

Display	Size	19" LCD Panel
	Resolution	1280 x 1024
	Brightness	350 cd/m ²
	Viewing Angle	H170 x V160
	Aspect Ratio	4:3
	Contrast Ratio	1000:1
	Response Time	12 msec
Touchscreen	Type	Projected Capacitive Touch
	Touchpoints	Up to 10
	Surface Hardness	7 Mohs
	Transparency	90% (+/- 3%)
Processor	CPU	Intel® Core® i3-7100
	Frequency	2,4 GHz
	Cores / Threads	2 / 4
	Embedded Version	Yes
Memory	Max. capacity	32GB
	Technology	Dual Channel DDR4L 2133MHz
	Socket	2x SO-DIMM
Graphics	Processor Graphics	Intel® HD-Grafik 620
Storage	M.2	1x M.2 2242 Key M (PCIe x4, SATA III)
Expansion	MiniPCIe	1x (PCIe x1, USB 2.0) Full Size w. SIM Holder
I/O Interface	LAN 1	Intel® 10/100/1000 I219V (M12 Connector)
	LAN 2	Intel® 10/100/1000 I211AT (M12 Connector)
	USB	2x USB 2.0 (M12 Connector)
	Serial Port	1x RS232 (M12 Connector) 1x RS232/422/485 (M12 Connector)
	Power Supply	9-36V DC-in (M12 Connector)
	Power	Power Mode
Power Connector		M12
Power Consumption		Typical 1,9A @ 12V (22,8W)
Mounting		VESA
	Yoke Mount	Optional Accessories
	Wall Mount	Optional Accessories
Other	TPM	Optional
	Watchdog Timer	Yes
General	Operating Temperature	-20°...+60°C with Extended Temp. RAM & SSD
	Storage Temperature	-40...+85°C
	Humidity	5...95% @ 40° (non-condensing)
	Vibration	5-500 Hz, 0.026G2/Hz, 2.16 Grms, X, Y, Z, 1 Hour per Axis
	Shock	20G, IEC 60068-2-27, half sine, 11ms Duration
	Dimensions	499 x 420 x 66.90 mm
	Housing	Stainless Steel 316
	Thermal Design	Fanless
	Protection	Full IP66/IP69K
	Weight	10 kg
	Certifications	CE / FCC Class A
	Operating System	Windows 10 (IoT/Pro), Linux Kernel 4.0 or above

5 Interfaces



6 Mechanical Drawing



7 Ordering Information

SAP ID	Description
DI-PPC-Z190P-7100 (MO-60-052)	19" 4:3 (1280 x 1024), 350nits, Stainless Steel 316 Full IP66/69K Protection, Fanless Panel PC with Intel® Core i3-7100U CPU, Projected Capacitive Touch, 8GB RAM, 128G M.2 TLC, 2 USB 3.0, 1 x M12 for 2 USB2.0, 1 RS232, 1 RS-232/422/485, 2 GbE, DC 9-36 V, M12 Connector

8 Packing List

Packing List	QTY	
Panel PC	1X	DI-PPC-Z156PW-N4200
M12 USB Cable	1x	M12 Connector to 2 port USB2.0 Cable, 2m
M12 COM Cable	1x	M12 Connector to DB9 Cable, 2m
M12 LAN Cable	1x	M12 Connector to LAN Cable, 2m
M12 Power Supply Unit	1x	12V, 60W, 5A, 5-pin M12 Connector (EU)

9 Optional Accessories

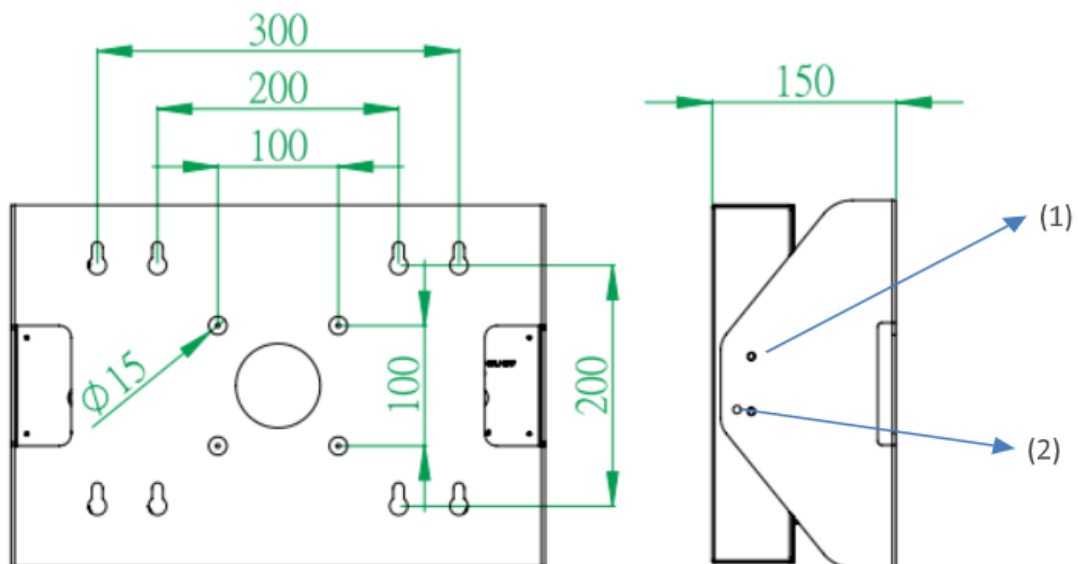
Mounting		
Wall Mounting Frame		316 Stainless Steel Wall Mount Kit, Thickness 3 mm
Mounting Frame		316 Stainless Steel 316 Yoke Mount Kit, Thickness 3 mm

10 Operating System – Windows 10 IoT Enterprise

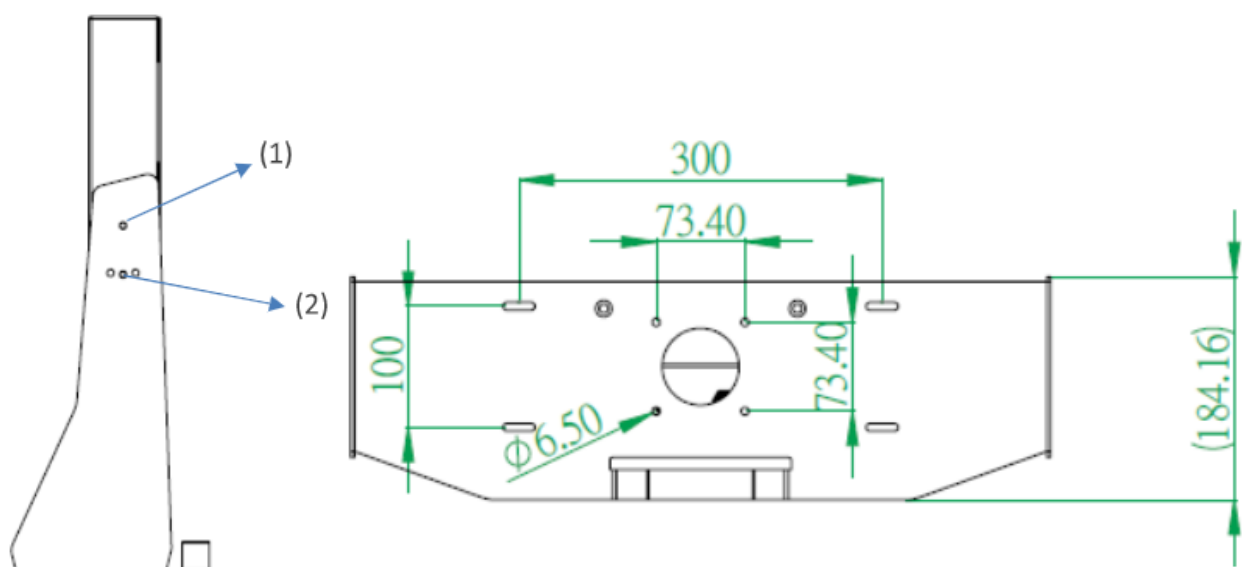
The Box PC comes optional with pre-installed "ready-to-use" Windows 10 IoT Enterprise LTSC Standard Image for worldwide use.

11 Mounting

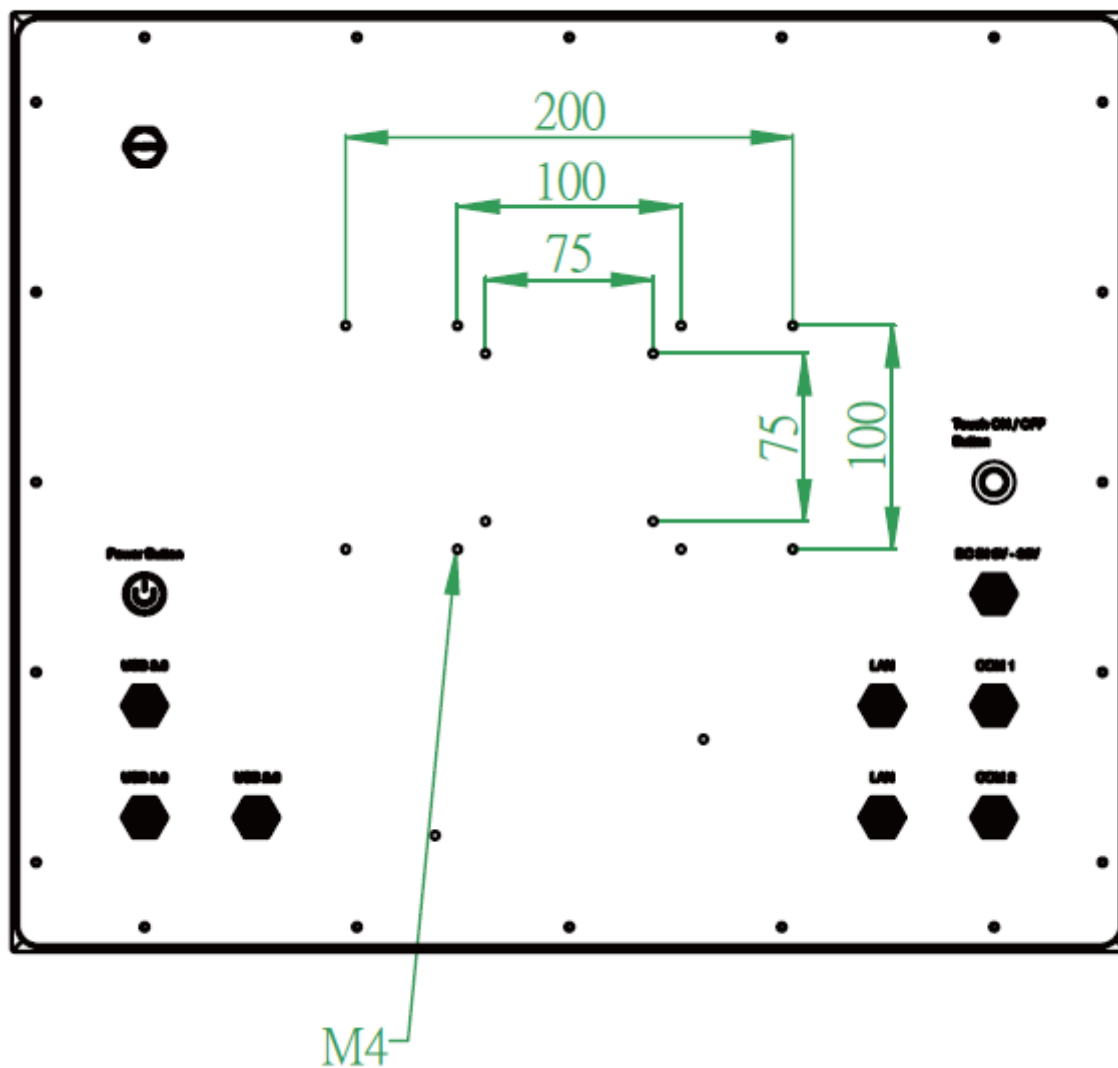
11.1 Wall Mount



11.2 Yoke Mount



11.3 VESA Mount (75x75mm or 100x100mm)



Our company network supports you worldwide with offices in Germany, Austria, Switzerland, the UK and the USA. For more information please contact:

Headquarters

Germany



FORTEC Elektronik AG

Augsburger Str. 2b
82110 Germering

Phone: +49 89 894450-0
E-Mail: info@fortecag.de
Internet: www.fortecag.de

Fortec Group Members

Austria



Distec GmbH Office Vienna

Nuschinggasse 12
1230 Wien

Phone: +43 1 8673492-0
E-Mail: info@distec.de
Internet: www.distec.de

Germany



Distec GmbH

Augsburger Str. 2b
82110 Germering

Phone: +49 89 894363-0
E-Mail: info@distec.de
Internet: www.distec.de

Switzerland



ALTRAC AG

Bahnhofstraße 3
5436 Würenlos

Phone: +41 44 7446111
E-Mail: info@altrac.ch
Internet: www.altrac.ch

United Kingdom



Display Technology Ltd.

Osprey House, 1 Osprey Court
Hinchingsbrooke Business Park
Huntingdon, Cambridgeshire, PE29 6FN

Phone: +44 1480 411600
E-Mail: info@displaytechnology.co.uk
Internet: www.displaytechnology.co.uk

USA



Apollo Display Technologies, Corp.

87 Raynor Avenue, Unit 1
Ronkonkoma, NY 11779

Phone: +1 631 5804360
E-Mail: info@apolloDisplays.com
Internet: www.apolloDisplays.com