



OUR GLOBAL
COMPETENCE
CENTRES

 APOLLO DISPLAY
TECHNOLOGIES



 DISTEC



 DISPLAY
TECHNOLOGY



Datasheet

BOE

MV270QUM-N20

BO-01-011

TITLE : MV270QUM-N20**Product Specification****Ver.A****HEFEI XINSHENG OPTOELECTRONICS TECHNOLOGY**

REVISION HISTORY

() Preliminary specification

(●) Final specification

Revision No.	Page	Description of changes	Date	Prepared
Ver. P0		Initial Release	2017.07.11	Wangdejun
Ver. P1	P30 P31	Update Outline Spec	2017.08.22	Wangdejun
Ver. P2	P5	Active Area: 597.736*335.66 → 596.736*335.664	2017.10.09	Wangdejun
Ver. O	P7	Add Max value of Ptotal Add the unit of Vcm	2017.10.24	Wangdejun
	P12	Update the LED pin order		
	P14	Add eDP Main Link Signal Spec		
	P30	Add Depth value		
Ver. O	P12	Pin definition update: Pin6:NC→GND Pin30:GND→BIST	2018.05.21	Li Xing
	P17	Mini-LVDS SSC is -1.5%~1.5%.		Li Xing
Ver. O	P14	Modify VRX-DIFFP-P spec : 1.38V(max)→75mV(min)	2018.08.24	Li Xing
Ver. O	P9	Add color gamut spec	2018.10.08	Li Xing
Ver. A		ES 8.0 Update	2019.07.17	ZhangWang

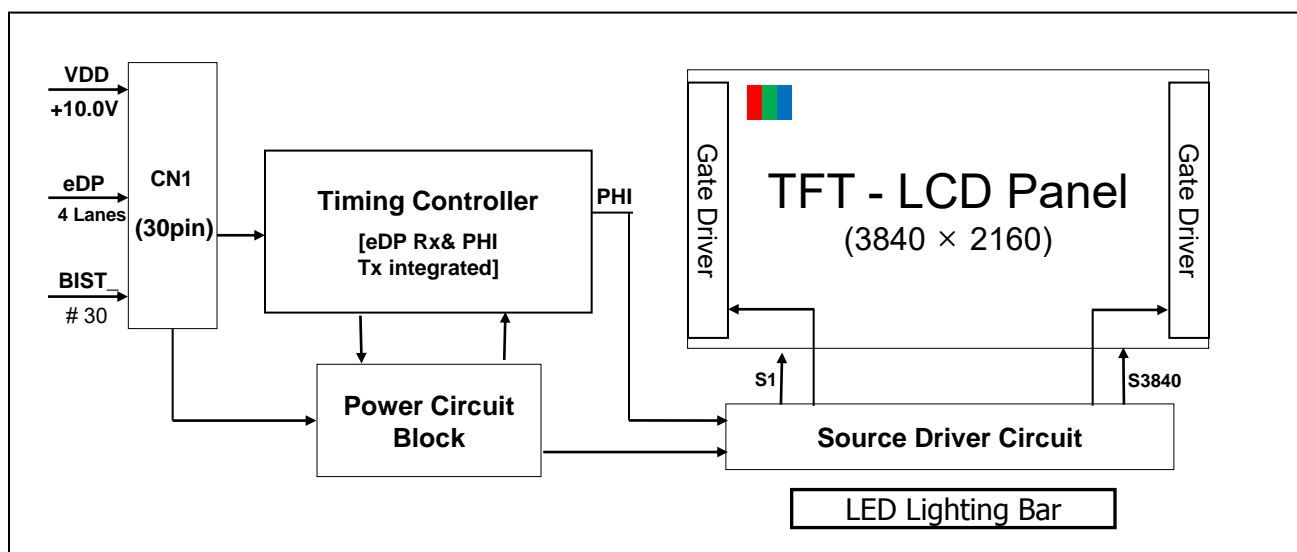
Contents

No.	Item	Page
1.0	General Description	4~5
2.0	Absolute Maximum Ratings	6
3.0	Electrical Specifications	7~8
4.0	Optical Specifications	9~10
5.0	Interface Connection	11~15
6.0	Signal Timing Interface	16~17
7.0	Signal Timing Waveforms of Interface Signal	18
8.0	Power Sequence	19~20
9.0	Mechanical Characteristics	21
10.0	Reliability Test	22
11.0	Handling& Cautions	23
12.0	Product Serial Number	24
13.0	Packing	25~26
14.0	Appendix	27~30

1.0 GENERAL DESCRIPTION

1.1 Introduction

MV270QUM-N20 is a color active matrix TFT LCD module using amorphous silicon TFT's (Thin Film Transistors) as an active switching devices. This module has a 27 inch diagonally measured active area with UHD resolutions (3840 horizontal by 2160 vertical pixel array). Each pixel is divided into RED, GREEN, BLUE dots which are arranged in vertical stripe and this module can display 1.07B colors. The TFT-LCD panel used for this module is adapted for a low reflection and higher color type.



1.2 Features

- Reverse Type
- 4 lane eDP Interface with 5.4Gbps Link Rates
- 10bit (8bit+A-FRC) color depth, display 1.07B colors
- Incorporated edge type back-light (LED)
- Compatible with sRGB 100%
- High luminance and contrast ratio, low reflection and wide viewing angle
- RoHS/Halogen Free
- ES 8.0 compliant
- Gamma Correction
- ESD Grade: Class B

1.3 Application

- Desktop Type of PC & Workstation Use
- Slim-Size Display for Stand-alone Monitor
- Display Terminals for Control System
- Monitors for Process Controller

1.4 General Specification

The followings are general specifications at the model MV270QUM-N20.

<Table 1. General Specifications>

Parameter	Specification	Unit	Remarks
Active area	596.736(H) × 335.664(V)	mm	
Number of pixels	3840(H) × 2160 (V)	pixels	
Pixel pitch	0.1554(H) × 0.1554(V)	mm	
Pixel arrangement	RGB Vertical stripe		
Color Depth	1.07 B(8bit+A-FRC)	colors	
Display mode	Normally Black		
Dimensional outline	608.8(H) × 355.3 (V) × 13.4(Depth)	mm	Detail refer to drawing
Weight	3220	g	
Surface Treatment	Haze 25%, 3H		
Back-light	Down side, 1-LED Lighting Bar type		

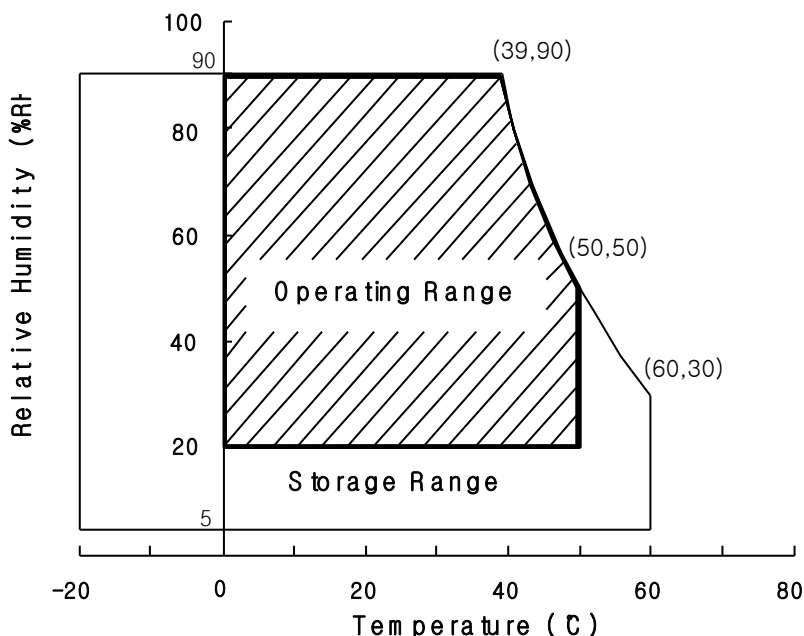
2.0 ABSOLUTE MAXIMUM RATINGS

The followings are maximum values which, if exceed, may cause faulty operation or damage to the unit. The operational and non-operational maximum voltage and current values are listed in Table 2.

< Table 2. Absolute Maximum Ratings > [VSS=GND=0V]

Parameter	Symbol	Min.	Max.	Unit	Remarks
Power Supply Voltage	V _{DD}	GND-0.3	12	V	Ta = 25 °C
Logic Supply Voltage	V _{IN}	VSS-0.3	V _{DD} +0.3	V	
Operating Temperature	T _{OP}	0	+50	°C	1)
Storage Temperature	T _{ST}	-20	+60	°C	1)
LCM Surface Temperature (Operation)	T _{Surface}	0	+65	°C	2)

- Note : 1) Temperature and relative humidity range are shown in the figure below.
 Wet bulb temperature should be 39 °C max. and no condensation of water.
 2) Panel Surface Temperature should be Min. 0°C and Max. +65°C under the VDD = 10.0V, Frame rate = 60Hz, 25°C ambient Temp. no humidity control and LED string current is typical value.



3.0 ELECTRICAL SPECIFICATIONS

3.1 Electrical Specifications

< Table 3. Electrical specifications >

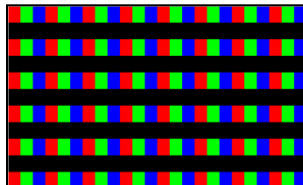
[Ta =25 ± 2 °C]

Parameter		Min.	Typ.	Max.	Unit	Remarks
Power Supply Voltage	V _{DD}	9	10.0	11	V	Note1
Power Supply Current	I _{DD}	-	480	1150	mA	
In-Rush Current	I _{RUSH}	-	2.0	3.0	A	Note 2
Permissible Input Ripple Voltage	V _{RF}	-	-	400	mV	Note1,3
High Level Differential Input Threshold Voltage	V _{IH}	-	-	+100	mV	
Low Level Differential Input Threshold Voltage	V _{IL}	-100	-	-	mV	
Differential input voltage	V _{ID}	100	-	600	mV	
Differential input common mode voltage	V _{cm}	0	-	2	V	V _{IH} =100mV, V _{IL} =-100mV
Power Consumption	P _D	-	4.8	11.5	W	
	P _{BL}	17.44	19.84	22.38	W	
	P _{total}	-	24.64	33.88	W	

Notes : 1. The supply voltage is measured and specified at the interface connector of LCM.
The current draw and power consumption specified is for VDD=10.0V, Frame rate=60Hz

Test Pattern of power supply current

- a) Typ : Mosaic Pattern
- b) Max : 1 line Inversion



- 2. Duration of rush current is about 2 ms and rising time of VDD is 520 μs ± 20 %
- 3. Ripple Voltage should be covered by Input voltage Spec.
- 4. Calculated value for reference (Input pins*VPIN × IPIN) excluding inverter loss.

3.2 Backlight Unit

< Table 4. LED Backlight Unit >

Parameter		Min.	Typ.	Max.	Unit	Remarks
LED Light Bar Input Voltage Per Input Pin	VPIN	51.3	55.1	58.9	V	Duty 100%
LED Light Bar Input Current Per Input Pin	IPIN	85	90	95	mA	Note1,2,
LED Power Consumption	P _{BL}	17.44	19.84	22.38	W	Note 3
LED Life-Time	-	30,000	-	-	Hrs	Note 4

LED bar consists of 76 LED packages,4 strings(parallel)19packages(serial)

Note1: There are one light bar ,and the specified current is input LED chip 100% duty current

Note2: The sense current of each input pin is 90mA

Note3: $P_{BL}=4\text{Input pins} \times VPIN \times IPIN$

Note4: The lifetime is determined as the time at which luminance of LED become 50% of the initial brightness or not normal lighting at IPIN=90mA on condition of continuous operating at $25 \pm 2 \text{ } ^\circ\text{C}$

< Table 5. LED Backlight Unit @Peak Brightness>

Parameter		Min.	Typ.	Max.	Unit	Remarks
LED Light Bar Input Voltage Per Input Pin	VPIN	53.2	57	60.8	V	Duty 100%
LED Light Bar Input Current Per Input Pin	IPIN	-	120	-	mA	
MDL peak brightness	-	400	480	-	nit	Note 5

Note5: Peak brightness for a long time will affect the life of the product

4.0 OPTICAL SPECIFICATION

4.1 Overview

The test of Optical specifications shall be measured in a dark room (ambient luminance ≤ 1 lux and temperature = $25 \pm 2^\circ\text{C}$) with the equipment of Luminance meter system (Goniometer system and TOPCONE PR730) and test unit shall be located at an approximate distance 50cm from the LCD surface at a viewing angle of θ and Φ equal to 0° . We refer to $\theta_{\theta=0}$ ($=\theta_3$) as the 3 o'clock direction (the "right"), $\theta_{\theta=90}$ ($=\theta_{12}$) as the 12 o'clock direction ("upward"), $\theta_{\theta=180}$ ($=\theta_9$) as the 9 o'clock direction ("left") and $\theta_{\theta=270}$ ($=\theta_6$) as the 6 o'clock direction ("bottom"). While scanning θ and/or Φ , the center of the measuring spot on the Display surface shall stay fixed. The measurement shall be executed after 30 minutes warm-up period. VDD shall be 5.0V +/-10% at 25°C . Optimum viewing angle direction is 6 °clock.

4.2 Optical Specifications

[VDD = 10.0V, Frame rate = 60Hz, Clock = 533.25MHz, $I_{BL} = 360\text{mA}$, $T_a = 25 \pm 2^\circ\text{C}$]

< Table 6. Module Optical >

Parameter		Symbol	Condition	Min.	Typ.	Max.	Unit	Remark
Viewing Angle range	Horizontal	Θ_3	CR > 10	85	89	-	Deg.	Note 1
		Θ_9		85	89	-	Deg.	
	Vertical	Θ_{12}		85	89	-	Deg.	
		Θ_6		85	89	-	Deg.	
Luminance Contrast ratio		CR		700	1000			Note 2
Luminance of White		Y_w		300	350	-	cd/m ²	Note 3
White luminance uniformity		ΔY		75	80		%	Note 4
Reproduction of color	White	W_x	$\Theta = 0^\circ$ (Center) Normal Viewing Angle	0.283	0.313	0.343	-	Note 5
		W_y		0.299	0.329	0.359	-	
	Red	R_x		0.622	0.652	0.682	-	
		R_y		0.303	0.333	0.363	-	
	Green	G_x		0.258	0.288	0.318	-	
		G_y		0.609	0.633	0.669	-	
	Blue	B_x		0.122	0.150	0.182	-	
		B_y		0.028	0.060	0.088	-	
Color gamut		sRGB		99	100	-	%	
Response Time	GTG	T_g			TBD	TBD	ms	Note 6
Cross Talk		CT		-	-	2.0	%	Note 7

Note :

1. Viewing angle is the angle at which the contrast ratio is greater than 10. The viewing are determined for the horizontal or 3, 9 o'clock direction and the vertical or 6, 12 o'clock direction with respect to the optical axis which is normal to the LCD surface.
2. Contrast measurements shall be made at viewing angle of $\theta = 0^\circ$ and at the center of the LCD surface. Luminance shall be measured with all pixels in the view field set first to white, then to the dark (black) state. (See FIGURE 1 shown in Appendix) Luminance Contrast Ratio (CR) is defined mathematically.

$$CR = \frac{\text{Luminance when displaying a white raster}}{\text{Luminance when displaying a black raster}}$$

3. Center Luminance of white is defined as the LCD surface. Luminance shall be measured with all pixels in the view field set first to white. This measurement shall be taken at the locations shown in FIGURE 2 for a total of the measurements per display.
4. The White luminance uniformity on LCD surface is then expressed as :
 $\Delta Y = (\text{Minimum Luminance of 9points} / \text{Maximum Luminance of 9points}) * 100$
 (See FIGURE 2 shown in Appendix).
5. The color chromaticity coordinates specified in Table 5. shall be calculated from the spectral data measured with all pixels first in red, green, blue and white. Measurements shall be made at the center of the panel.
6. Response time Tg is the average time required for display transition by switching the input signal as below table and is based on Frame rate fV =60Hz to optimize.
 Each time in below table is defined as appendix Figure 3 and shall be measured by switching the input signal for “any level of gray(bright)”and “any level of gray(dark)”
7. Cross-Talk of one area of the LCD surface by another shall be measured by comparing the luminance (Y_A) of a 25mm diameter area, with all display pixels set to a gray level, to the luminance (Y_B) of that same area when any adjacent area is driven dark. (See FIGURE 4 shown in Appendix).

5.0 INTERFACE CONNECTION.

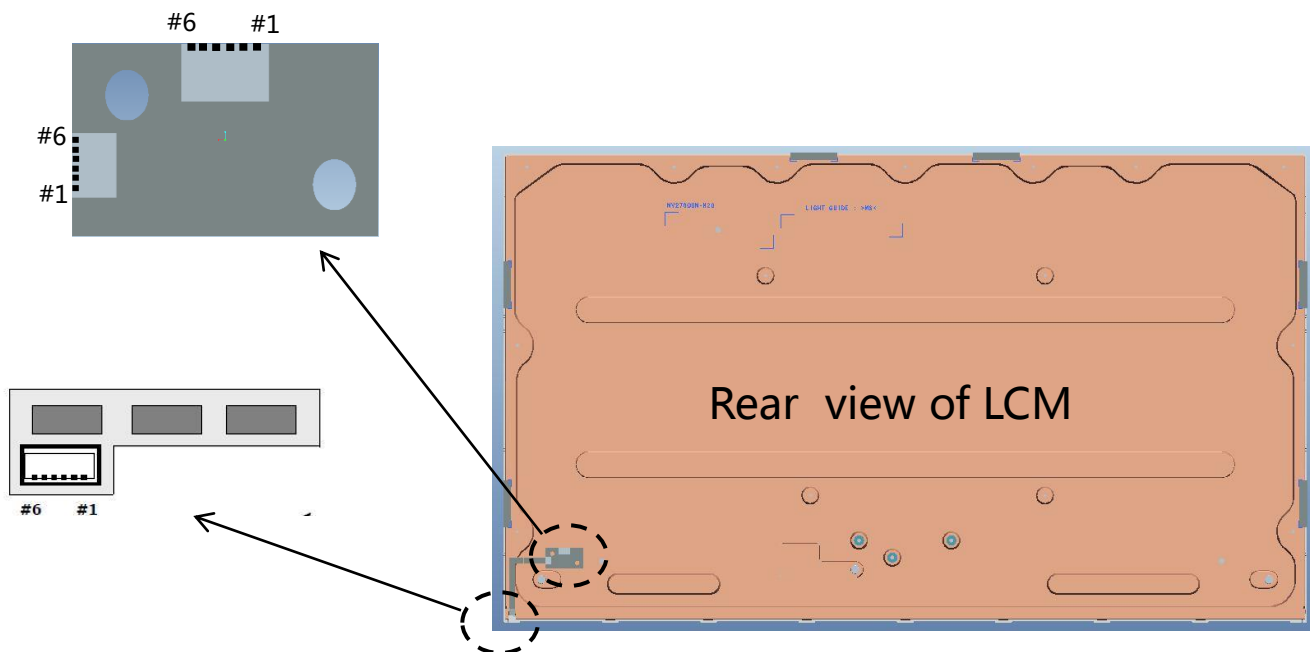
5.1 LED Light Bar

-LED connector : 7083K-F06N-04L manufactured by Entery.

-B/L connector : 3711K-Q06N-01R manufactured by Entery.

< Table 7. LED Light Bar >

Pin No	Symbol	Description
1	FB1	Channel1 Current Feedback
2	FB2	Channel2 Current Feedback
3	VLED	LED Power Supply
4	VLED	LED Power Supply
5	FB3	Channel3 Current Feedback
6	FB4	Channel4 Current Feedback



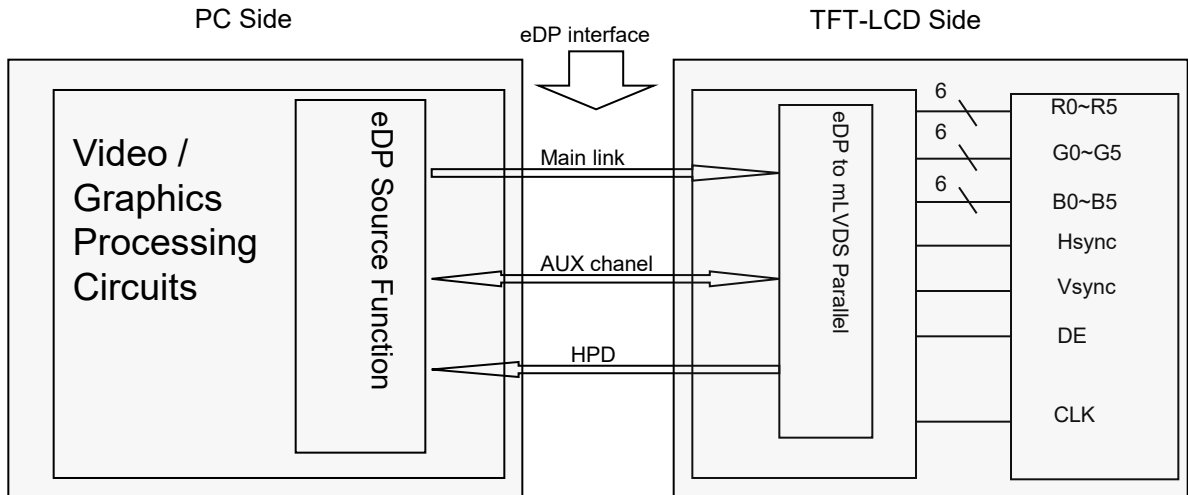
5.0 INTERFACE CONNECTION.

5.2 Electrical Interface Connection

- CN1 Module Side Connector : STM MSAK24025P30.

Pin No	Symbol	Function	Remark
1	VDD	Power Supply (10.0V)	
2	VDD	Power Supply (10.0V)	
3	VDD	Power Supply (10.0V)	
4	VDD	Power Supply (10.0V)	
5	VDD	Power Supply (10.0V)	
6	NC	No connection	
7	GND	Ground	
8	NC	No connection	
9	NC	No connection	
10	GND	Ground	
11	HPD	Hot Plug Detection Signal	
12	GND	Ground	
13	DAUXN	Negative Signal for Auxiliary Chanel	
14	DAUXP	Positive Signal for Auxiliary Chanel	
15	GND	Ground	
16	DRX0P	Positive Signal For eDP Lane0	
17	DRX0N	Negative Signal For eDP Lane0	
18	GND	Ground	
19	DRX1P	Positive Signal For eDP Lane1	
20	DRX1N	Negative Signal For eDP Lane1	
21	GND	Ground	
22	DRX2P	Positive Signal For eDP Lane2	
23	DRX2N	Negative Signal For eDP Lane2	
24	GND	Ground	
25	DRX3P	Positive Signal For eDP Lane3	
26	DRX3N	Negative Signal For eDP Lane3	
27	GND	Ground	
28	GND	Ground	
29	NC	No connection	
30	GND	Ground	BIST

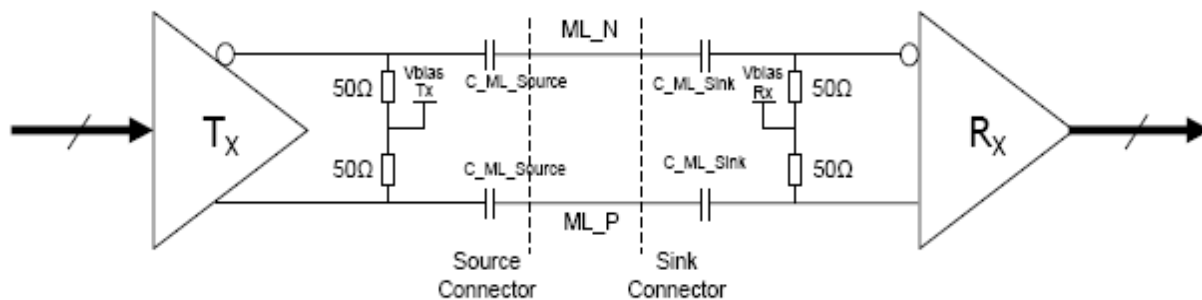
5.3.eDP Interface



Note. Transmitter : Parade DP501 or equivalent.

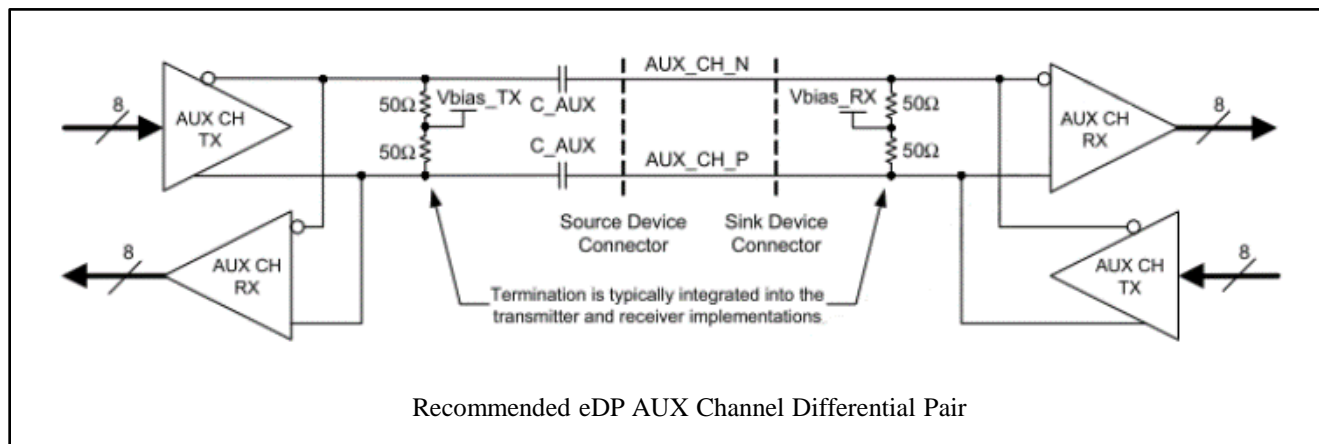
Transmitter is not contained in Module.

5.3.1 eDP Main Link Signal



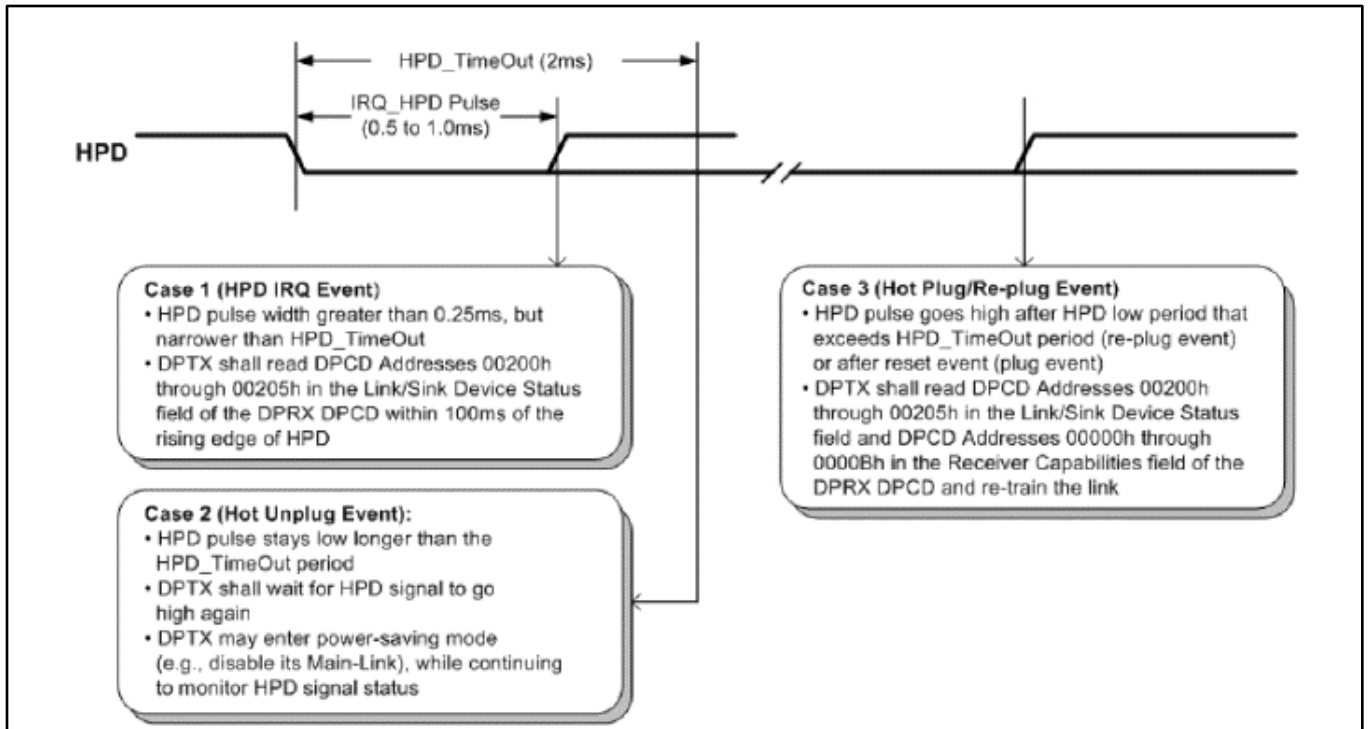
Parameter	Symbol	Min	Typ	Max	Unit	Notes
Unit Interval for high bit rate (5.4Gbps/lane)	UI_HBR2	-	185	-	ps	
Link Clock Down Spreading	Amplitude	0	-	0.5	%	
	Frequency	30		33	kHz	
Differential peak-to-peak voltage at Sink side connector	$V_{RX-DIFFP-P}$	-	-	1.38	V	
EYE width at Sink side connector	$T_{RX-EYE-CONN}$	0.38	-	-	UI	
Lane-to-Lane skew	$L_{RX-SKEW-INTER_PAIR}$	-	-	4UI+ 500ps		
Lane intra-pair skew	$L_{RX-SKEW-INTER_PAIR}$	-	-	50	ps	
AC Coupling Capacitor	C_{SOURCE_ML}	75		200	nF	Source side

5.4 eDP AUX Channel Signal



Parameter	Symbol	Min	Typ	Max	Unit	Notes
AUX Unit Interval	UI	0.4	-	0.6	us	
AUX Jitter at Tx IC Package Pins	T_{jitter}	-	-	0.04	UI	
AUX Jitter at Rx IC Package Pins		-	-	0.05	UI	
AUX Peak-to-peak voltage at Connector Pins of Receiving	$V_{AUX-DIFFP-P}$	0.27	-	1.36	V	
AUX Peak-to-peak voltage at Connector Pins of Transmitting		0.29	-	1.38	V	
AUX EYE Width at Connector Pins of Tx and Rx		0.98	-	-	UI	
AUX DC common mode voltage	V_{AUX-CM_RX}	0	-	1.2	V	
	V_{AUX-CM_TX}	0	-	1.2	V	
AUX AC Coupling Capacitor	$C_{SOURCE-AUX}$	75	-	200	nF	

5.5 eDP HPD Signal



Parameter	Symbol	Min	Typ	Max	Unit	Notes
HPD Voltage	HPD	2.25	-	3.6	V	Sink side Driving
HOT Plug Detection Threshold		2.0	-	-	V	Source side Detecting
HOT Unplug Detection Threshold		-	-	0.8	V	
HPD_IRQ Pulse Width	HPD_IRQ	0.5	-	1.0	ms	
HPD_TimeOut		2.0	-	-	ms	HPD Unplug Event

6.0 SIGNAL TIMING SPECIFICATION

6.1 The MV270QUM-N20 is operated by the DE only.

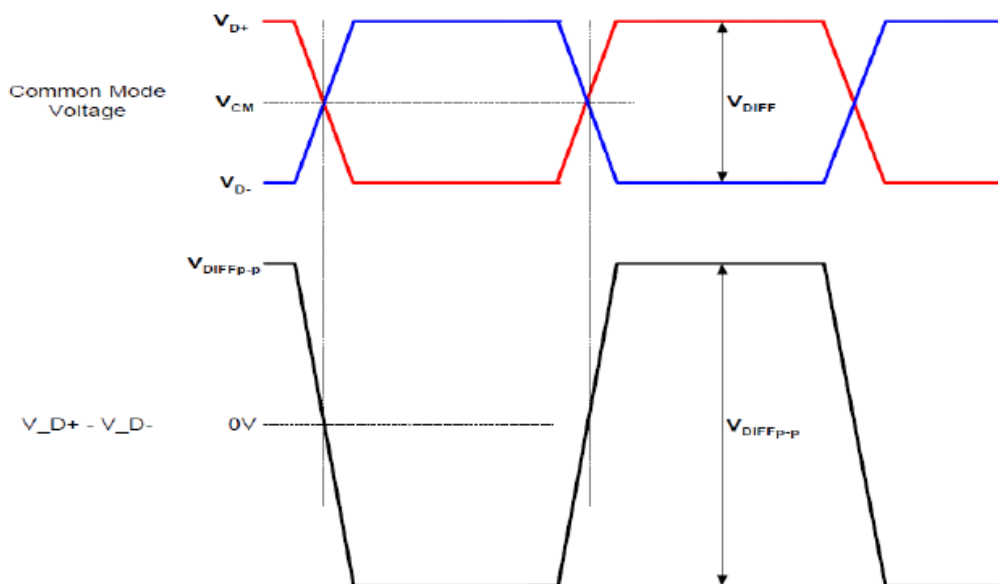
Item		Symbol	Min	Typ	Max	Unit	Note
DCLK	Period	tCLK	1.8	1.9	2.2	ns	
	Frequency	fCLK	444	533	551	MHz	
Hsync	Period	tHP	3950	4000	4088	tCLK	
	Width-Active	tWH	18	28	36		
Vsync	Period	tVP	2213	2222	2290	tHP	
	Frequency	fv	50	60	62	HZ	Adaptive Sync :40~60Hz
	Width-Active	tWV	6	8	12	tHP	
Data Eenlabe	Horizontal valld	tHV	3840	3840	3840	tCLK	
	Horizontal Back Porch	tHBP	32	54	112		
	Horizontal Front Porch	tHFP	60	78	100		
	Horizontal Blank	-	110	160	248		tWH+tHBP+tHFP
	Vertial valld	tVV	2160	2160	2160	tHP	
	Vertial Back Porch	tVBP	5	7	18		
	Vertial Front Porch	tVFP	42	47	100		
	Vertial Blank	-	53	62	130		

6.2 eDP Rx Interface Timing Parameter

The specification of the eDP Rx interface timing parameter is shown in Table 8.

<Table 8. eDP Rx Interface Timing Specification>

Item	Symbol	Min	Typ	Max	Unit	Remark
Spread spectrum clock	ssc	0	-	0.5	%	
Differential peak-to-peak input voltage at package pins	VRX-DIFFp-p	-	-	1.38	V	
Rx input DC common mode voltage	VRX_DC_CM	-	GND	-	V	
Differential termination resistance	RRX-DIFF	80	-	100	Ω	
Single-ended termination resistance	RRX-SE	40	-	60	Ω	
Rx short circuit current limit	IRX_SHORT	-	-	20	mA	
Intra-pair skew at Rx package pins (HBR) RX intra-pair skew tolerance at HBR	LRX_SKEW_INTRA_PAIR	-	-	150	ps	



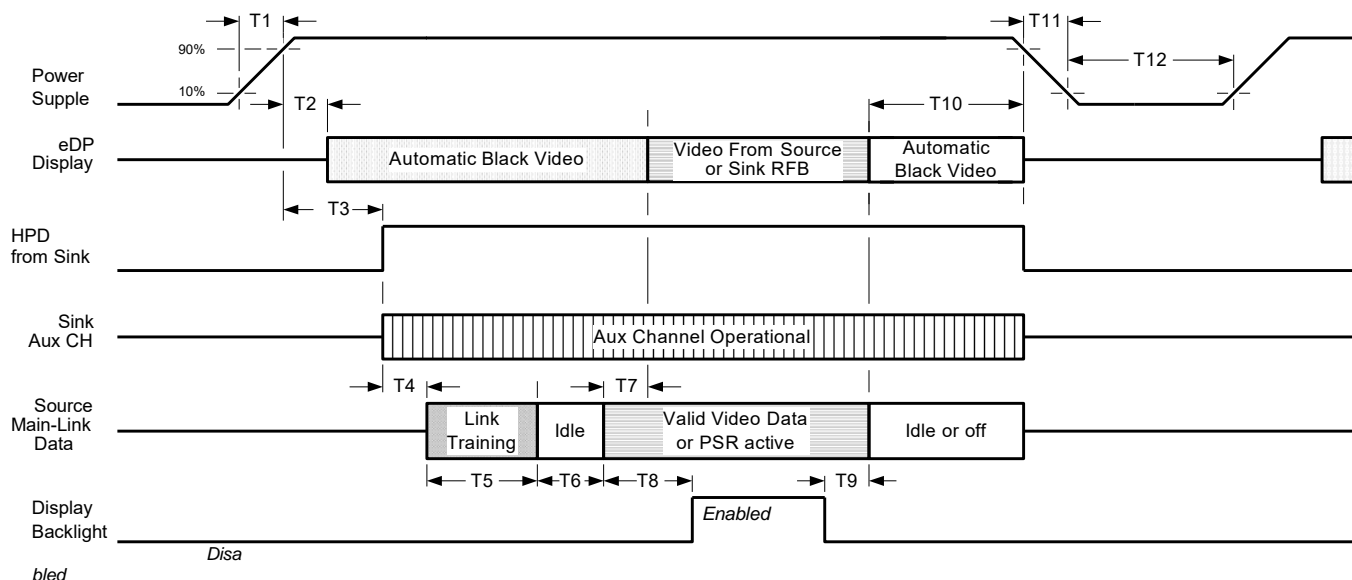
* $V_{diff} = (RXz+) - (RXz-), \dots, (RXCLK+) - (RXCLK-)$

7.0 INPUT SIGNALS, BASIC DISPLAY COLORS & GRAY SCALE OF COLORS

Color & Gray Scale		RED DATA								GREEN DATA								BLUE DATA							
		R7	R6	R5	R4	R3	R2	R1	R0	G7	G6	G5	G4	G3	G2	G1	G0	B7	B6	B5	B4	B3	B2	B1	B0
Basic Colors	Black	0	0	0	0	0	0	0	0	0	0	0	0	0	0	0	0	0	0	0	0	0	0	0	0
	Blue	0	0	0	0	0	0	0	0	0	0	0	0	0	0	0	0	1	1	1	1	1	1	1	1
	Green	0	0	0	0	0	0	0	0	1	1	1	1	1	1	1	1	0	0	0	0	0	0	0	0
	Cyan	0	0	0	0	0	0	0	0	1	1	1	1	1	1	1	1	1	1	1	1	1	1	1	1
	Red	1	1	1	1	1	1	1	1	0	0	0	0	0	0	0	0	0	0	0	0	0	0	0	0
	Magenta	1	1	1	1	1	1	1	1	0	0	0	0	0	0	0	0	1	1	1	1	1	1	1	1
	Yellow	1	1	1	1	1	1	1	1	1	1	1	1	1	1	1	1	0	0	0	0	0	0	0	0
	White	1	1	1	1	1	1	1	1	1	1	1	1	1	1	1	1	1	1	1	1	1	1	1	1
Gray Scale of RED	Black	0	0	0	0	0	0	0	0	0	0	0	0	0	0	0	0	0	0	0	0	0	0	0	0
	△	0	0	0	0	0	0	0	1	0	0	0	0	0	0	0	0	0	0	0	0	0	0	0	0
	Darker	0	0	0	0	0	0	1	0	0	0	0	0	0	0	0	0	0	0	0	0	0	0	0	0
	△	↑								↑								↑							
	▽	↓								↓								↓							
	Brighter	1	1	1	1	1	1	0	1	0	0	0	0	0	0	0	0	0	0	0	0	0	0	0	0
	▽	1	1	1	1	1	1	1	0	0	0	0	0	0	0	0	0	0	0	0	0	0	0	0	0
	Red	1	1	1	1	1	1	1	1	0	0	0	0	0	0	0	0	0	0	0	0	0	0	0	0
Gray Scale of GREEN	Black	0	0	0	0	0	0	0	0	0	0	0	0	0	0	0	0	0	0	0	0	0	0	0	0
	△	0	0	0	0	0	0	0	0	0	0	0	0	0	0	0	1	0	0	0	0	0	0	0	0
	Darker	0	0	0	0	0	0	0	0	0	0	0	0	0	0	1	0	0	0	0	0	0	0	0	0
	△	↑								↑								↑							
	▽	↓								↓								↓							
	Brighter	0	0	0	0	0	0	0	0	1	1	1	1	1	1	0	1	0	0	0	0	0	0	0	0
	▽	0	0	0	0	0	0	0	0	1	1	1	1	1	1	1	0	0	0	0	0	0	0	0	0
	Green	0	0	0	0	0	0	0	0	1	1	1	1	1	1	1	1	0	0	0	0	0	0	0	0
Gray Scale of BLUE	Black	0	0	0	0	0	0	0	0	0	0	0	0	0	0	0	0	0	0	0	0	0	0	0	0
	△	0	0	0	0	0	0	0	0	0	0	0	0	0	0	0	0	0	0	0	0	0	0	0	1
	Darker	0	0	0	0	0	0	0	0	0	0	0	0	0	0	0	0	0	0	0	0	0	0	1	0
	△	↑								↑								↑							
	▽	↓								↓								↓							
	Brighter	0	0	0	0	0	0	0	0	0	0	0	0	0	0	0	0	1	1	1	1	1	1	0	1
	▽	0	0	0	0	0	0	0	0	0	0	0	0	0	0	0	0	1	1	1	1	1	1	1	0
	Blue	0	0	0	0	0	0	0	0	0	0	0	0	0	0	0	0	1	1	1	1	1	1	1	1
Gray Scale of WHITE	Black	0	0	0	0	0	0	0	0	0	0	0	0	0	0	0	0	0	0	0	0	0	0	0	0
	△	0	0	0	0	0	0	0	1	0	0	0	0	0	0	0	1	0	0	0	0	0	0	0	1
	Darker	0	0	0	0	0	0	1	0	0	0	0	0	0	0	1	0	0	0	0	0	0	0	1	0
	△	↑								↑								↑							
	▽	↓								↓								↓							
	Brighter	1	1	1	1	1	1	0	1	1	1	1	1	1	1	0	1	1	1	1	1	1	1	0	1
	▽	1	1	1	1	1	1	1	0	1	1	1	1	1	1	1	0	1	1	1	1	1	1	1	0
	White	1	1	1	1	1	1	1	1	1	1	1	1	1	1	1	1	1	1	1	1	1	1	1	1

8.0 POWER SEQUENCE

To prevent a latch-up or DC operation of the LCD module, the power on/off sequence shall be as shown in below



Timing Parameter	Description	Required By	Limits		Notes
			Min	Max	
T1	Power rail rise time, 10% to 90%	Source	0.5ms	10ms	
T2	Delay from Power Supply to automatic Black Video generation	Sink	0ms	200ms	Automatic Black Video generation prevents display noise until valid video data is received from the Source
T3	Delay from Power Supply to HPD high	Sink	0ms	200ms	Sink AUX Channel must be operational upon HPD high
T4	Delay from HPD high to link training initialization	Source	-	-	Allows for the Source to read Link capability and initialize
T5	Link training duration	Source	-	-	Dependant on the Source link training protocol
T6	Link idle	Source	-	-	Min accounts for required BS-Idle Pattern. Max allows for Source frame synchronization.

8.0 POWER SEQUENCE

T7	Delay from valid video data from Source to video on display	Sink	0ms	50ms	Max value allows for the Sink to validate video data and timing. At the end of T7, the Sink will indicate the detection of valid video data by setting the SINK_STATUS bit to logic 1 (DPCD 00205h, bit 0), and the Sink will no longer generate automatic Black Video.
T8	Delay from valid video data from Source to backlight enable	Source	-	-	The Source must assure display video is stable
T9	Delay from backlight disable to end of valid video data	Source	-	-	The Source must assure backlight is no longer illuminated. At the end of T9, the Sink will indicate the detection of no valid video data by setting the SINK_STATUS bit to logic 0 (DPCD 00205h, bit 0), and the Sink will automatically display Black Video.
T10	Delay from end of valid video data from Source to power off	Source	0ms	500ms	
T12	Power off time	Source	500ms	-	

Notes:

1. When the power supply VDD is 0V, keep the level of input signals on the low or keep high impedance.
2. Do not keep the interface signal high impedance when power is on.
3. Back Light must be turn on after power for logic and interface signal are valid.

9.0 MECHANICAL CHARACTERISTICS

9.1 Dimensional Requirements

FIGURE 6 (located in Appendix) shows mechanical outlines for the model MV270QUM-N10. Other parameters are shown in Table 9.

<Table 9. Dimensional Parameters>

Parameter	Specification	Unit
Dimensional outline	608.8(H) × 355.3(V) × 13.4(Depth)	mm
Weight	3220	gram
Active area	596.736(H) × 335.664 (V)	mm
Pixel pitch	0.1554 (H) × 0.1554(V)	mm
Number of pixels	3840(H) × 2160 (V) (1 pixel = R + G + B dots)	pixels
Back-light	Down side, 1-LED Lighting Bar type	

9.2 Anti-Glare and Polarizer Hardness.

The surface of the LCD has an anti-glare coating to minimize reflection and a coating to reduce scratching.

10.0 RELIABILITY TEST

The Reliability test items and its conditions are shown in below.

<Table 10 Reliability Test Parameters >

No	Test Items	Conditions
1	High temperature storage test	Ta = 60 °C, 240 hrs
2	Low temperature storage test	Ta = -20 °C, 240 hrs
3	High temperature & high humidity operation test	Ta = 50 °C, 80%RH, 240hrs
4	High temperature operation test	Ta = 50 °C, 240hrs
5	Low temperature operation test	Ta = 0°C, 240hrs
6	Thermal shock	Ta = -20 °C ↔ 60 °C (0.5 hr), 100 cycle
7	Packing Vibration test (non-operating)	Frequency Random, 1 ~ 200 Hz, 30 min/Axis Gravity / AMP 1.2 Grms Period X, Y, Z 30 min
8	Shock test (non-operating)	Gravity 50G
		Pulse width 11msec, Half sine wave
		Direction ± X, ± Y, ± Z Once for each
9	Electro-static discharge test	Air : 150 pF, 330Ω, 15 KV Contact : 150 pF, 330Ω, 8 KV

11.0 HANDLING & CAUTIONS

(1) Cautions when taking out the module

- Pick the pouch only, when taking out module from a shipping package.

(2) Cautions for handling the module

- As the electrostatic discharges may break the LCD module, handle the LCD module with care. Peel a protection sheet off from the LCD panel surface as slowly as possible.
- As the LCD panel and back - light element are made from fragile glass material, impulse and pressure to the LCD module should be avoided.
- As the surface of the polarizer is very soft and easily scratched, use a soft dry cloth without chemicals for cleaning.
- Do not pull the interface connector in or out while the LCD module is operating.
- Put the module display side down on a flat horizontal plane.
- Handle connectors and cables with care.

(3) Cautions for the operation

- When the module is operating, do not lose CLK, ENAB signals. If any one of these signals is lost, the LCD panel would be damaged.
- Obey the supply voltage sequence. If wrong sequence is applied, the module would be damaged.

(4) Cautions for the atmosphere

- Dew drop atmosphere should be avoided.
- Do not store and/or operate the LCD module in a high temperature and/or humidity atmosphere. Storage in an electro-conductive polymer packing pouch and under relatively low temperature atmosphere is recommended.

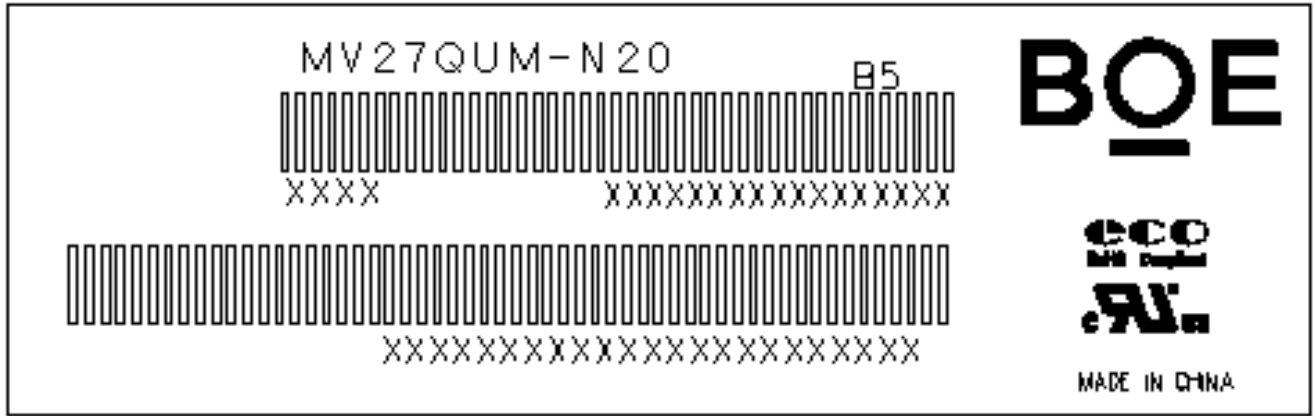
(5) Cautions for the module characteristics

- Do not apply fixed pattern data signal to the LCD module at product aging.
- Applying fixed pattern for a long time may cause image sticking.

(6) Other cautions

- Do not disassemble and/or re-assemble LCD module.
- Do not re-adjust variable resistor or switch etc.
- When returning the module for repair or etc., Please pack the module not to be broken. We recommend to use the original shipping packages.

12.0 PRODUCT SERIAL NUMBER



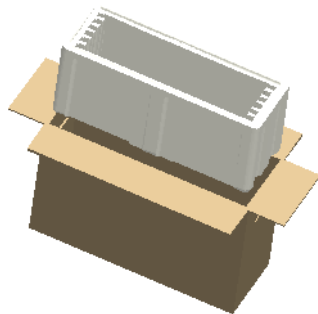
MDL ID Naming Rule:

Digit	1	2	3	4	5	6	7	8	9	10	11	12	13	14	15	16	17
Code	S	L	S	5	1	2	3	5	9	4	2	0	0	0	1	D	B
Description	Model Code /GBN		Grade	Line	Year		Month	Model Extension Code (Last 4 Digits Of FGCD)				Serial No 00001-ZZZZZZ					

13.0 Packing

13.1 Packing Order

1. Put Bottom into the box



2. Put Protection Film on Panel , Put MDL in PE Bag
-Put MDL in groove in order, keeping Panel side the same with arrow , Put 1ea Cover on top of Bottom
-Capacity:8pcs Panel/Inner Box



4. Put the Pallet into Truck with 2 rows and 2 layers
-Capacity:42EA Pallet/Truck, 4032pcs Panel/Truck

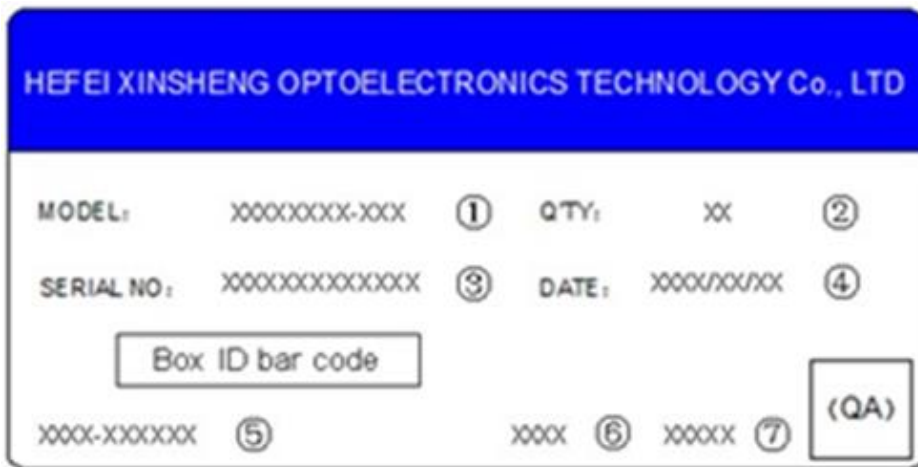
3. Put 6EA Box on surface of Pallet, pile 2 layers in total.
-Use 8 Paper Corner to protect, Strapping tapes to fix and wrap film to package the Boxes
-Capacity:6 EA Box/layer;2 layers in total;96pcs/ Pallet

13.2 Packing Note

- Box Dimension : 694mm(L) × 299mm(W) × 462mm(H)
- Package Quantity in one Box : 8pcs

13.3 Box label

- Label Size : 110 mm (L) × 55mm (W)
- Contents
Model : MV270QUM-N20
Q`ty : Module * Q`ty in one box
Serial No. : Box Serial No.
Date : Packing Date



The printed part follow as:

1. FG-CODE
2. Quantity
3. Box ID
4. Packing Date
4. Customer Code
8. FG-CODE(the last four number)
7. Vendor Code

14.0 APPENDIX

Figure 1. Measurement Set Up

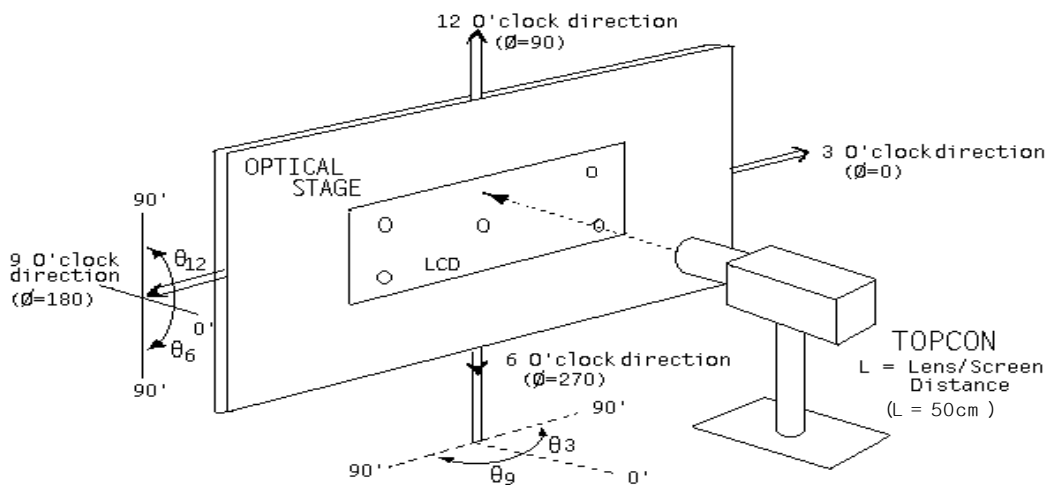


Figure 2. White Luminance and Uniformity Measurement Locations (9 points)

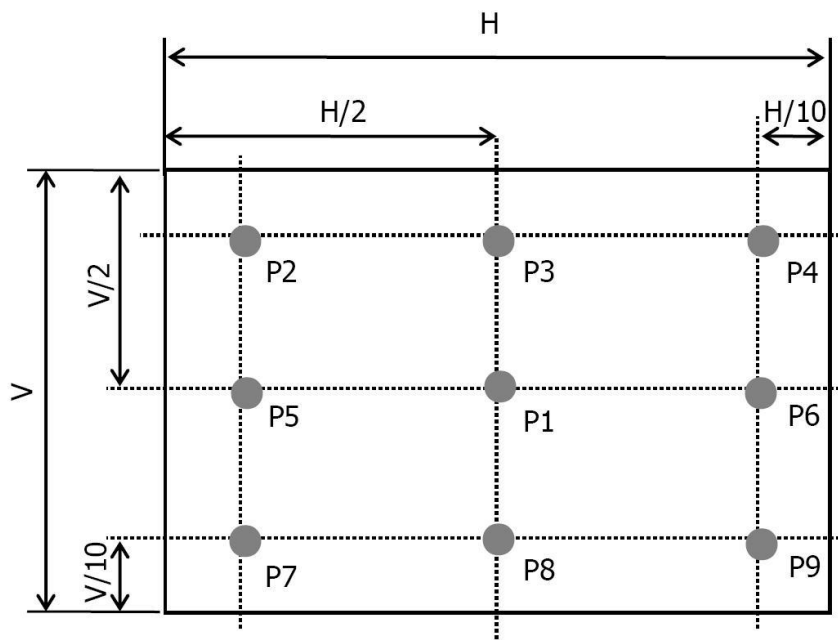


Figure 3. Response Time Testing

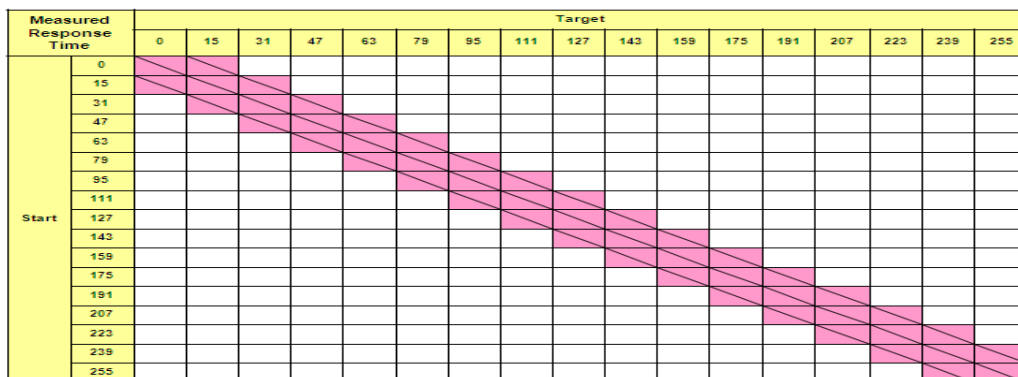
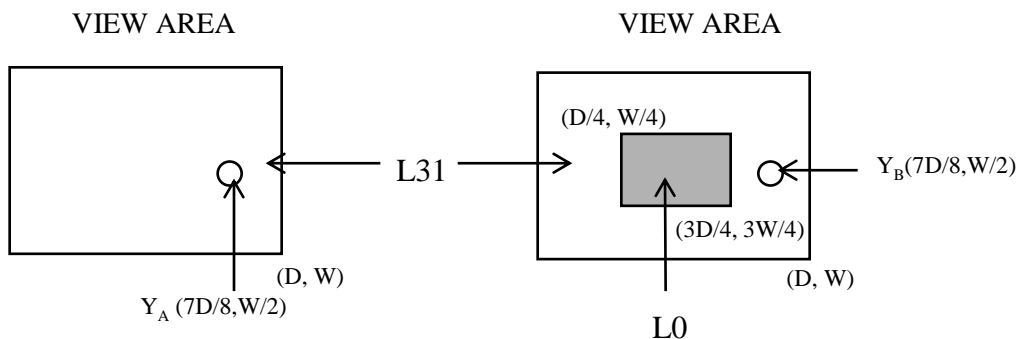


Figure 4. Cross Modulation Test Description



$$\text{Cross-Talk (\%)} = \left| \frac{Y_B - Y_A}{Y_A} \right| \times 100$$

Where: Y_A = Initial luminance of measured area (cd/m²)
 Y_B = Subsequent luminance of measured area (cd/m²)
 The location measured will be exactly the same in both patterns

Figure 5. TFT-LCD Module Outline Dimensions (Front & Side view)

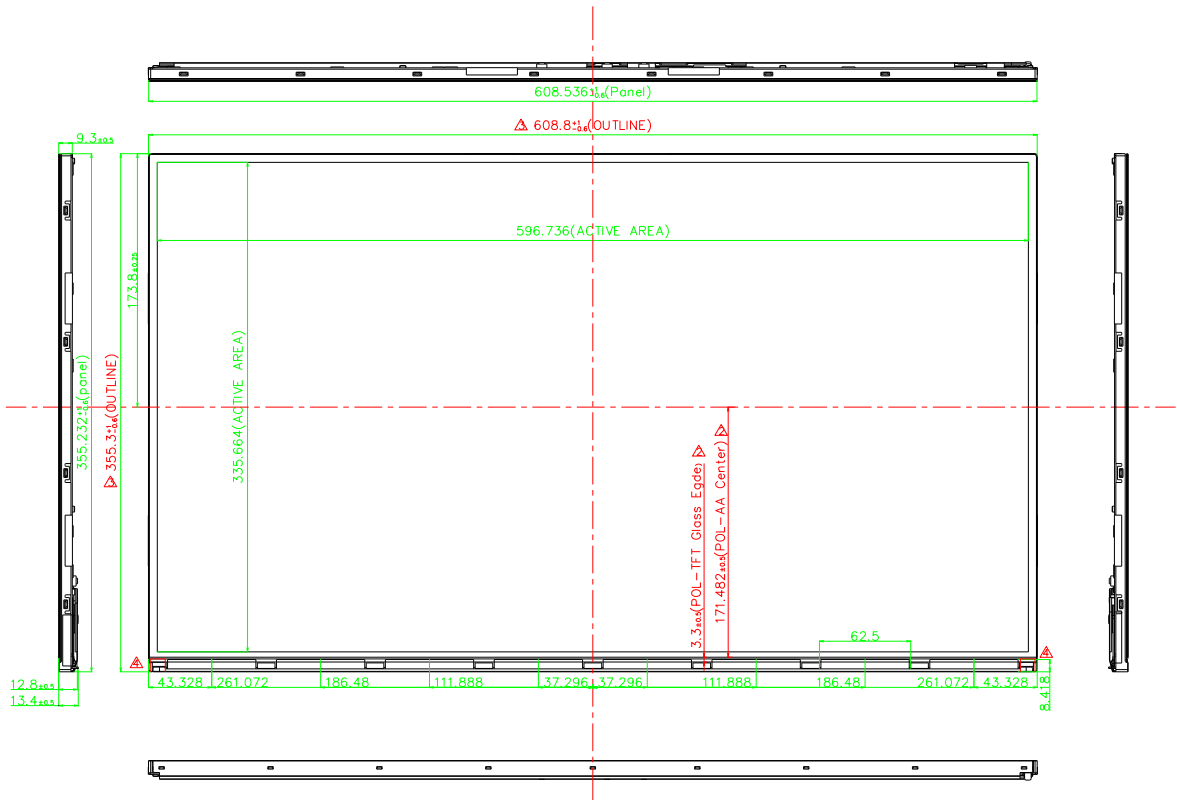
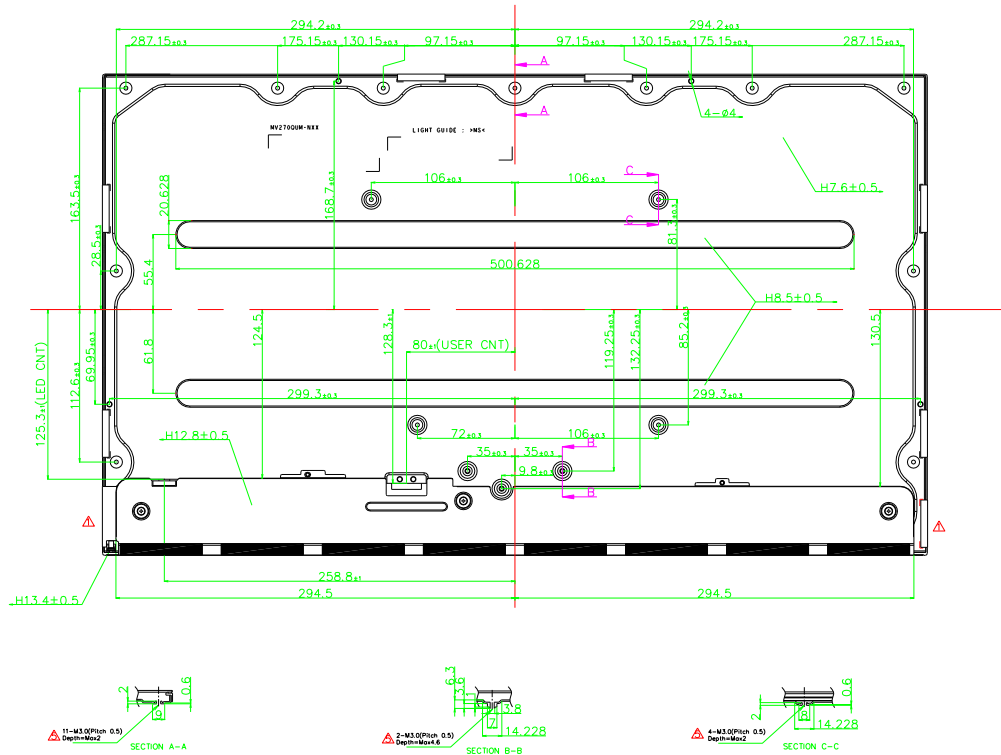
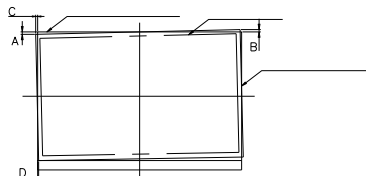


Figure 6. TFT-LCD Module Outline Dimensions (Rear view)



NOTE:

1. I/F CONNECTOR SPECIFICATION
IS100-L300-C23 (UJU) or EQUIVALENT
2. LED CONNECTOR SPECIFICATION
3711K-Q06N-01R(Entery) or EQUIVALENT
3. TORQUE of USER HOLE: 3.0~4.0kgf-cm
4. Tilt and partial disposition tolerance of display area as following
 - (1) Y-direction: $-0.45 \leq A \leq 0.45, -0.45 \leq B \leq 0.45$
 - (2) X-direction: $-0.45 \leq C \leq 0.45, -0.45 \leq D \leq 0.45$



5. Unspecified tolerance to be ± 0.5
6. The LCM warp is less than 1.0 on the surface plate
7. The COF area is weak and sensitive, so please don't press the COF area

Our company network supports you worldwide with offices in Germany, Austria, Switzerland, the UK and the USA. For more information please contact:

Headquarters

Germany



FORTEC Elektronik AG

Augsburger Str. 2b
82110 Germering

Phone: +49 89 894450-0
E-Mail: info@fortecag.de
Internet: www.fortecag.de

Fortec Group Members

Austria



Distec GmbH Office Vienna

Nuschinggasse 12
1230 Wien

Phone: +43 1 8673492-0
E-Mail: info@distec.de
Internet: www.distec.de

Germany



Distec GmbH

Augsburger Str. 2b
82110 Germering

Phone: +49 89 894363-0
E-Mail: info@distec.de
Internet: www.distec.de

Switzerland



ALTRAC AG

Bahnhofstraße 3
5436 Würenlos

Phone: +41 44 7446111
E-Mail: info@altrac.ch
Internet: www.altrac.ch

United Kingdom



Display Technology Ltd.

Osprey House, 1 Osprey Court
Hichingbrooke Business Park
Huntingdon, Cambridgeshire, PE29 6FN

Phone: +44 1480 411600
E-Mail: info@displaytechnology.co.uk
Internet: www.displaytechnology.co.uk

USA



Apollo Display Technologies, Corp.

87 Raynor Avenue,
Unit 1 Ronkonkoma,
NY 11779

Phone: +1 631 5804360
E-Mail: info@apolloDisplays.com
Internet: www.apolloDisplays.com