



## SCD2365-Y

### 23.6" TFT LCD, LED Backlight 1000nits, 1920x1920, Circle Display

The SCD2365-Y is a 23.6 inch color TFT-LCD display with high brightness 1000 nits, special aspect ratio 1:1 and wide resolution 1920x 1920. It is Litemax's Circlepixel series product which designed for high brightness with power efficiency LED backlight. It provides LCD panel with specific aspect ratios and sunlight readable for digital signage, public transportation, exhibition hall, department store, and vending machine.

#### Key Features

- 23.6" Circle Display
- High Brightness 1000nits
- Sunlight Readable
- Aspect ratio 1:1
- LED Backlight
- Programmable Pattern RGB Circle Lighting
- Low Power Consumption
- BL MTBF: 100,000 hours



### Specifications

<b>Model Name</b>	<b>SCD2365-Y</b>
<b>Description</b>	23.6" TFT LCD, 1000nits LED Backlight, 1920x1920, Circle Display
<b>Screen Size</b>	23.6"
<b>Display Area (mm)</b>	596.16(H) x 596.16(V)
<b>Brightness</b>	1000 cd/m <sup>2</sup>
<b>Resolution</b>	1920 x 1920
<b>Aspect Ratio</b>	1 : 1
<b>Contrast Ratio</b>	600 : 1
<b>Pixel Pitch (mm)</b>	0.3105(H) x 0.3105(V)
<b>Pixel Pre Inch (PPI)</b>	82
<b>Viewing Angle</b>	178 °(H),178 °(V)
<b>Color Saturation (NTSC)</b>	77%
<b>Display Colors</b>	16.7M
<b>Response Time (Typical)</b>	8ms
<b>Panel Interface</b>	LVDS
<b>AD Board Input Interface</b>	DVI-D, HDMI, DP
<b>Input Power</b>	AC 100~240V
<b>Power Consumption</b>	61W
<b>OSD Key</b>	5 Keys (Power Switch, Menu, +, Exit, -)
<b>OSD Control</b>	Brightness, Color, Contrast, Auto Turing, H/V Position...etc
<b>Dimensions (mm)</b>	890 x 890 x 77.2
<b>Weight (Net)</b>	24kg
<b>Mounting</b>	400x200, 400x400
<b>Operating Temperature</b>	0 °C ~ 50 °C
<b>Storage Temperature</b>	-20 °C ~ 60 °C

**SCD**= Panel + LED Driving Board + AD Control Board + Lighting + Chassis

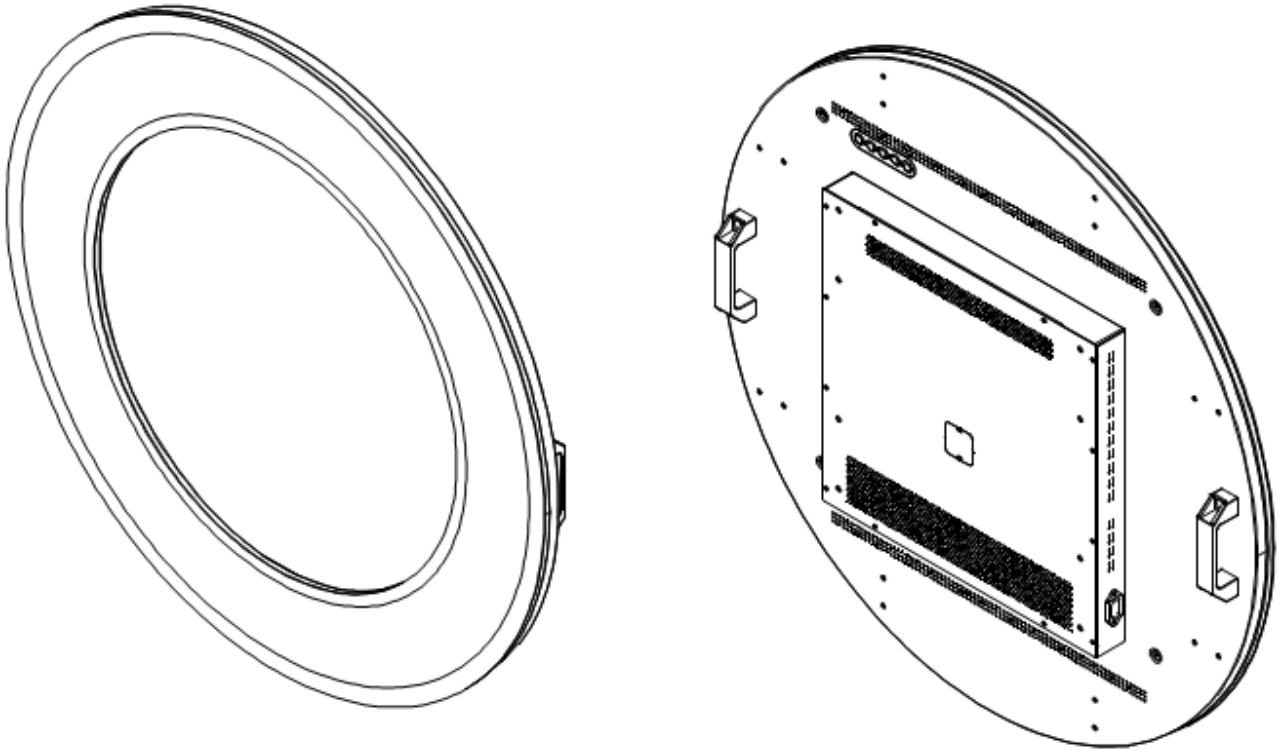
*Specifications are subject to change without notice.*

*All brands or product names are trademarks or registered trademarks of their respective companies.*



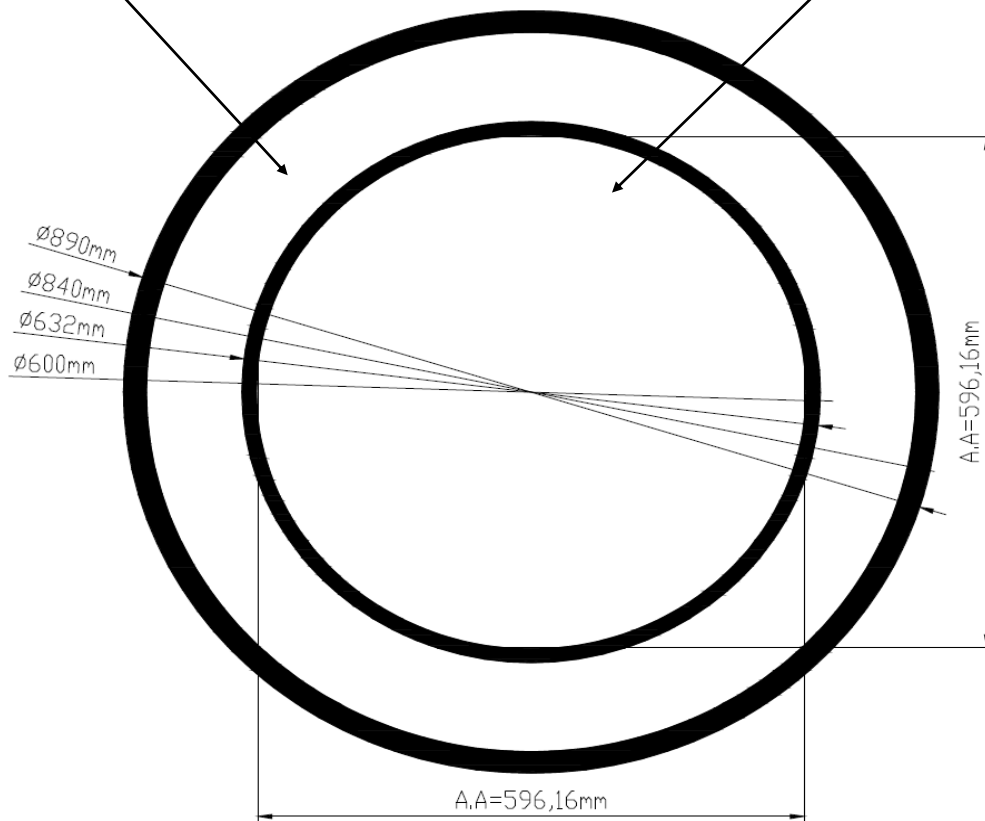
Outline Dimensions

Unit:mm



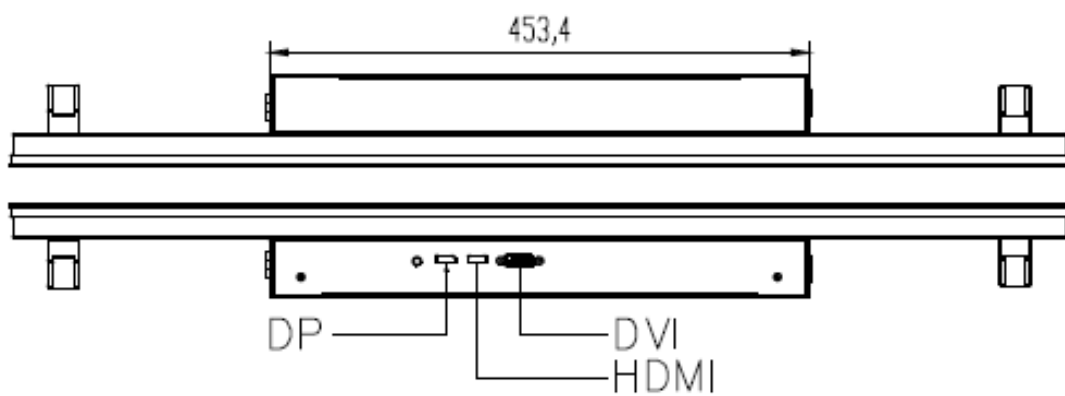
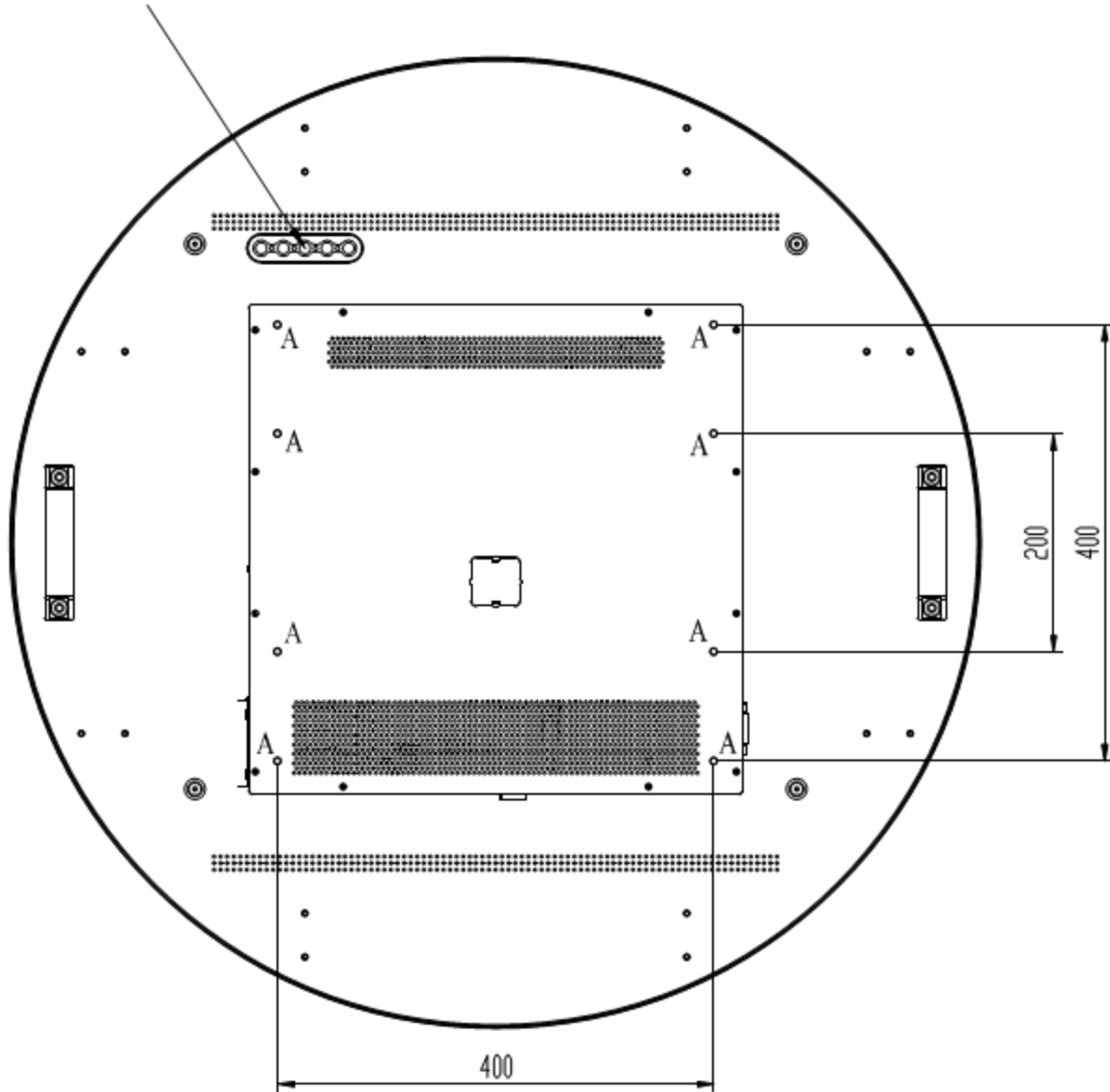
Circle  
Lighting

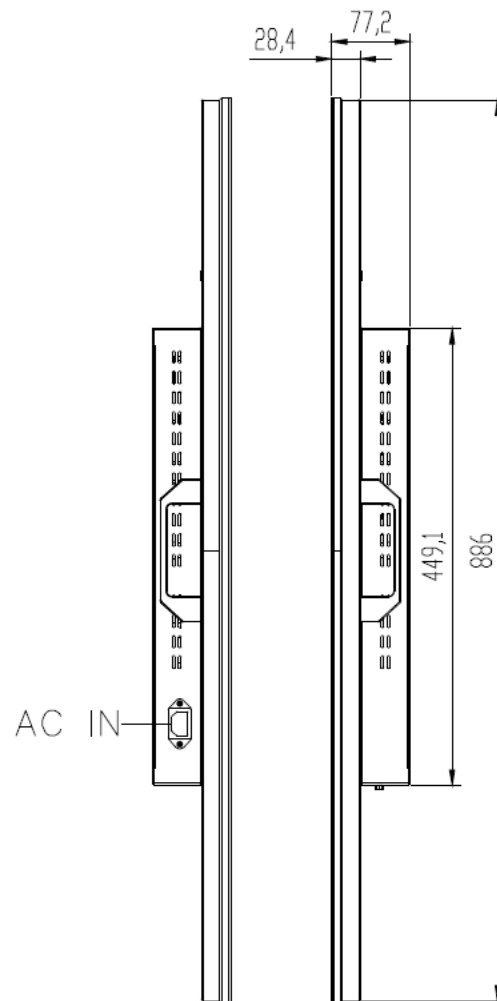
LCD Display





### 5-KEY MEMBRANE





Note:  
Unit:mm  
O.D : Outline Dimension  
A.A : LCD Active Area  
A:8-M6 USER HOLE \_MAX. DEPTH=20mm



### Ordering Information

Part Number	Description
SCD2365-YNB-M01	23.6",1000nits,1920x1920,LID33C,AD9131DHP,O/B, circle lighting,AC100~240V,V1

### Optional Accessories

Part Number	Description
810618301010	CABLE.POWER.AC.1830mm USA type
810618301090	CABLE,POWER,AC,1830mm Europe type
810618301050	CABLE.POWER.AC.1830mm UK type
810618301170	CABLE.POWER,AC,1830mm Australia type
810618301031	CABLE.POWER.AC.1830mm Japan type

### Customer request

Touch	PCT (Multi-Touch)
Glass	Tempered glass, AR coating.....