

Datasheet

SMARC-sXBTi

Kontron

Our company network supports you worldwide with offices in Germany, Austria, Switzerland, Great Britain and the USA. For more information please contact:

FORTEC Elektronik AG

Hauptniederlassung
Lechwiesenstr. 9
86899 Landsberg am Lech

Telefon: +49 (0) 8191 91172-0
Telefax: +49 (0) 8191 21770
E-Mail: sales@fortecag.de
Internet: www.fortecag.de

FORTEC Elektronik AG

Büro West
Hohenstaufenring 55
50674 Köln

Telefon: +49 (0) 221 272 273-0
Telefax: +49 (0) 221 272 273-10
E-Mail: west@fortecag.de
Internet: www.fortecag.de

FORTEC Elektronik AG

Büro Wien
Nuschinggasse 12
A-1230 Wien

Telefon: +43 1 8673492-0
Telefax: +43 1 8673492-26
E-Mail: office@fortec.at
Internet: www.fortec.at

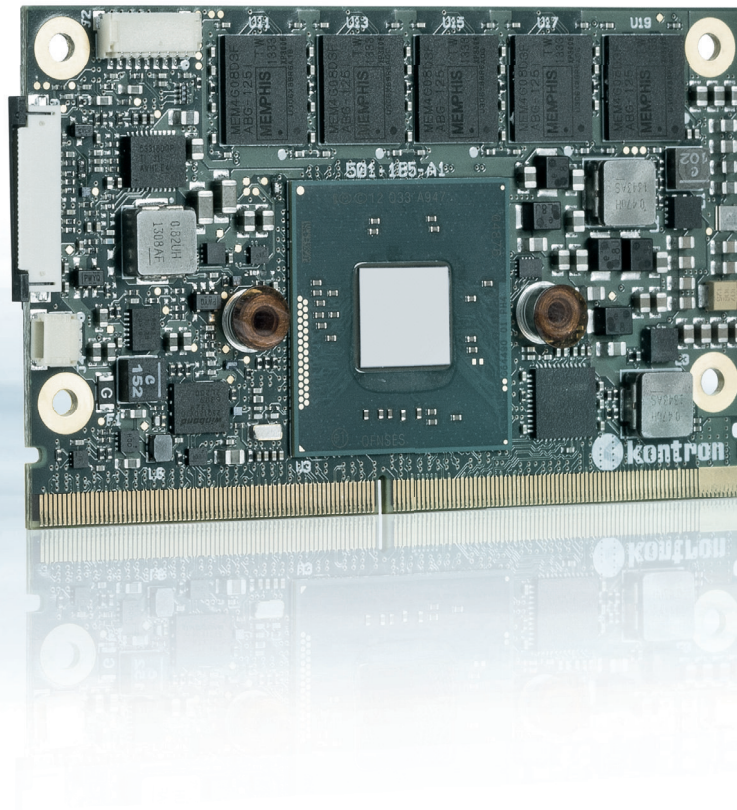
ALTRAC AG

(Tochter der FORTEC):
Bahnhofstraße 3
CH-5436 Würenlos

Telefon: +41 (0) 44 7446111
Telefax: +41 (0) 44 7446161
E-Mail: info@altrac.ch
Internet: www.altrac.ch

The information contained in this document has been carefully researched and is, to the best of our knowledge, accurate. However, we assume no liability for any product failures or damages, immediate or consequential, resulting from the use of the information provided herein. Our products are not intended for use in systems in which failures of product could result in personal injury. All trademarks mentioned herein are property of their respective owners. All specifications are subject to change without notice.

SMARC-sXBTi

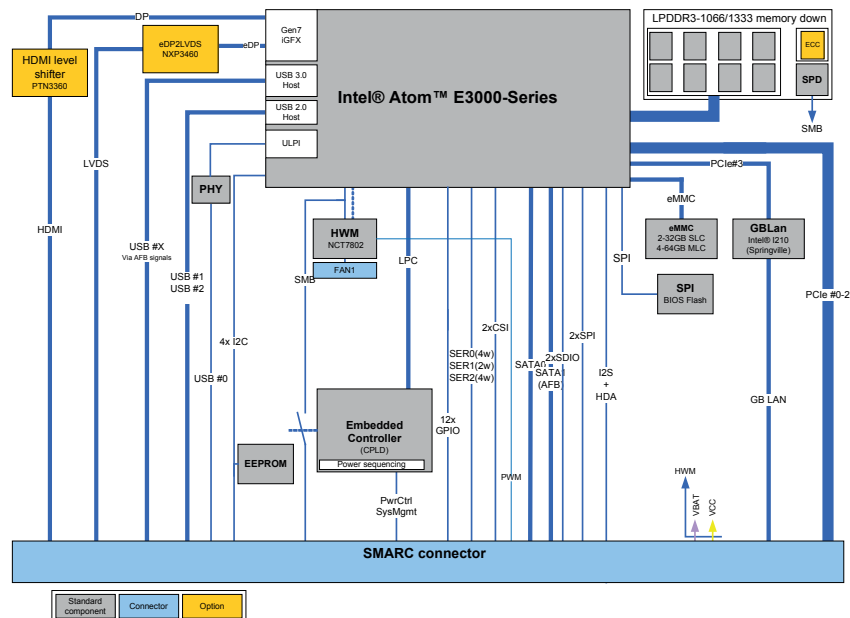


Intel® Atom™ E3800 SERIES

- ▶ up to 8GB DDR3L memory down (ECC optional)
- ▶ 1x USB 3.0, 3x USB 2.0 (optional 1 OTG)
- ▶ eMMC Flash, SDIO, 2x SATA
- ▶ industrial grade temperature

TECHNICAL INFORMATION

DIMENSIONS (H X W X D)	82 x 50mm
CPU	Intel® Atom™ E3845, E3827, E3826, E3825 or E3815
MAIN MEMORY	Up to 8GB DDR3L-1333 memory down (ECC optional)
GRAPHICS CONTROLLER	Intel® HD Graphics (Gen7)
ETHERNET CONTROLLER	Intel® i210IT
ETHERNET	10/100/1000 MBit Ethernet
SATA	1x SATA 3Gb/s
FLASH ONBOARD	2-64GB eMMC
PCI EXPRESS® / PCI SUPPORT	3x PCIe x1
PANEL SIGNAL	LVDS Single Channel 18/24 bit or eDP, HDMI or DP
USB	3x USB 2.0 1x USB 3.0 (via AFB)
SERIAL	1x RX/TX (Ser0) 2x UART (Ser1/3)
INTERFACE	HD Audio and I2S, 5x I2C, 2x SPI, Camera Interface (2x MIPI CSI)
OPERATING SYSTEM	Windows® 8, Windows® 7, WEBS, WES7, WEC7, Linux, VxWorks
POWER SUPPLY	3V - 5.25V Operates directly from single level Lithium Ion cells or fixed 3.3V or 5V power supplies
TEMPERATURE	-40°C to +85°C operating, -40°C to +85°C non-operating
HUMIDITY	93% relative Humidity at 40°C, non-condensing (according to IEC 60068-2-78)



CORPORATE OFFICES

EUROPE, MIDDLE EAST & AFRICA

Lise-Meitner-Str. 3-5
86156 Augsburg
Germany
Tel.: + 49 821 4086 0
Fax: + 49 821 4086 111
info@kontron.com

NORTH AMERICA

14118 Stowe Drive
Poway, CA 92064-7147
USA
Tel.: + 1 888 294 4558
Fax: + 1 858 677 0898
info@us.kontron.com

ASIA PACIFIC

1-2F, 10 Building, No. 8 Liangshuihe 2nd Street,
Economical & Technological Development Zone,
Beijing, 100176, P.R.China
Tel.: +86 10 63751188
Fax: +86 10 83682438
info@kontron.cn

FORTEC

ELEKTRONIK AG

Our company network supports you worldwide with offices in Germany, Austria, Switzerland, Great Britain and the USA. For more information please contact:

FORTEC Elektronik AG

Hauptniederlassung
Lechwiesenstr. 9
86899 Landsberg am Lech

Telefon: +49 (0) 8191 91172-0
Telefax: +49 (0) 8191 21770
E-Mail: sales@fortecag.de
Internet: www.fortecag.de

FORTEC Elektronik AG

Büro West
Hohenstaufenring 55
50674 Köln

Telefon: +49 (0) 221 272 273-0
Telefax: +49 (0) 221 272 273-10
E-Mail: west@fortecag.de
Internet: www.fortecag.de

FORTEC Elektronik AG

Büro Wien
Nuschinggasse 12
A-1230 Wien

Telefon: +43 1 8673492-0
Telefax: +43 1 8673492-26
E-Mail: office@fortec.at
Internet: www.fortec.at

ALTRAC AG

(Tochter der Fortec AG):
Bahnhofstraße 3
CH-5436 Würenlos

Telefon: +41 (0) 44 7446111
Telefax: +41 (0) 44 7446161
E-Mail: info@altrac.ch
Internet: www.altrac.ch

Members of the FORTEC Group:

