



SSD2106-Y V1

21" TFT LCD, LED Backlight 1200 nits , 1920 x 132 ultra-wide aspect ratio 16:1

The SSD2106-Y is a 21 inch color TFT-LCD display with special aspect ratio 16:1 and wide resolution 1920 x 132. It is Litemax's Spanpixel series product which designed for high brightness 1200 nits with power efficiency LED backlight. It provides LCD panel with specific aspect ratios and sunlight readable for digital signage, public transportation, exhibition hall, department store, and vending machine.

Key Features

- Ultra-Wide Screen (16: 1)
- High Brightness 1200 nits
- Sunlight Readable
- LED Backlight
- Low Power Consumption
- BL MTBF: 100,000 hours



Specifications

Model Name	SSD2106-Y V1
Description	21" Ultra-Wide LCD, 1200 nits LED backlight, 1920x132
Screen Size	21"
Display Area (mm)	529.4(H) x 36.4(V) mm
Brightness	1200 cd/m ²
Resolution	1920 x 132
Aspect Ratio	16 : 1
Contrast Ratio	900 : 1
Pixel Pitch (mm)	0.2757(H) x 0.2757(V)
Pixel Per Inch (PPI)	92
Viewing Angle	178°(H),178°(V)
Color Saturation (NTSC)	77%
Display Colors	16.7M
Response Time (Typical)	8ms
Input Interface	DVI-D
Input Power	DC12V
Power Consumption	14.5W
OSD Key	4 Keys (Power Switch, Menu, +, -)
OSD Control	Brightness, Color, Contrast, Auto Turing, H/V Position...etc
Dimensions (mm)	552.6 x 59.9 x 36.5
Bezel Size(U/B/L/R)	14.1/8.8/11.3/11.3 mm
Weight (Net)	1.5kg
Mounting	VESA 75x40, 240x40
Operating Temperature	0 °C ~ 50 °C
Storage Temperature	-20 °C ~ 60 °C

SSD = Panel + LED Driving Board + AD Control Board + Chassis

Specifications are subject to change without notice.

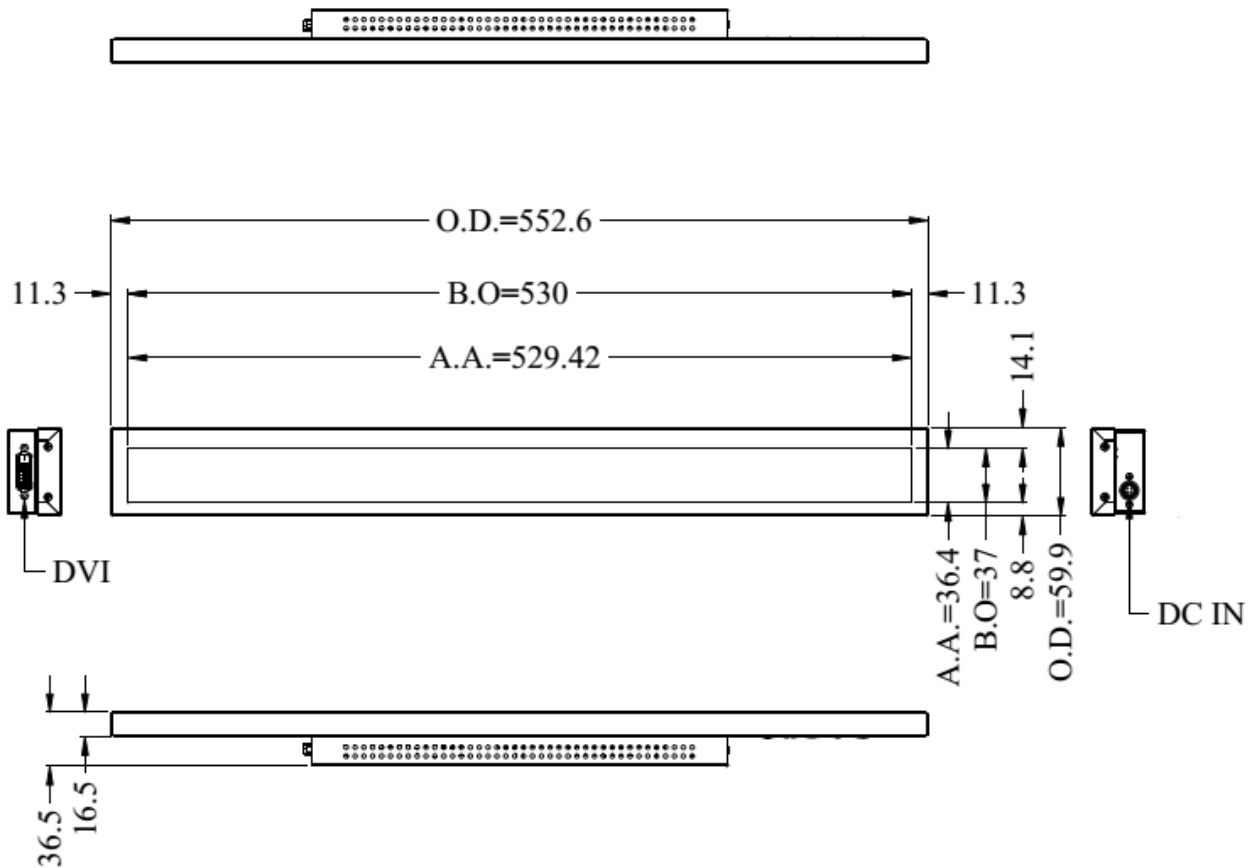
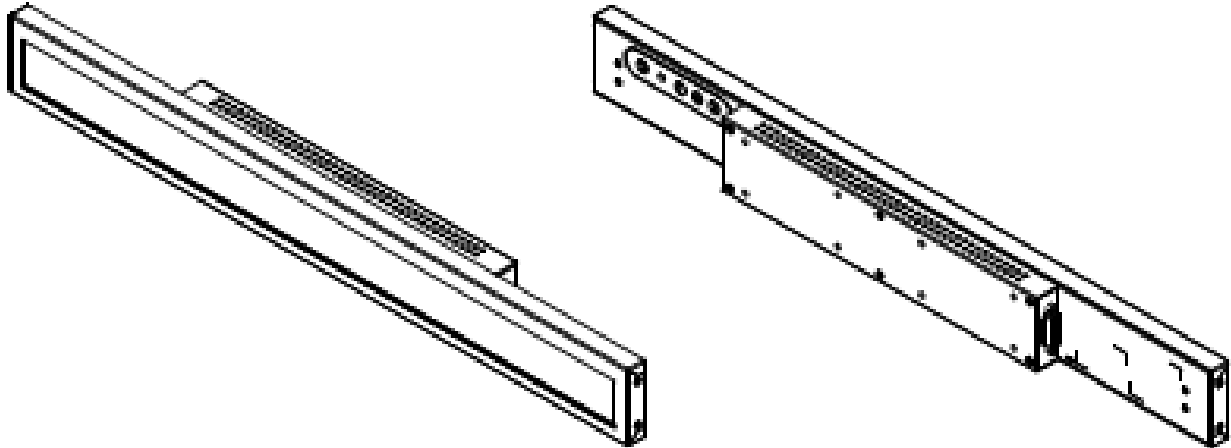
All brands or product names are trademarks or registered trademarks of their respective companies.

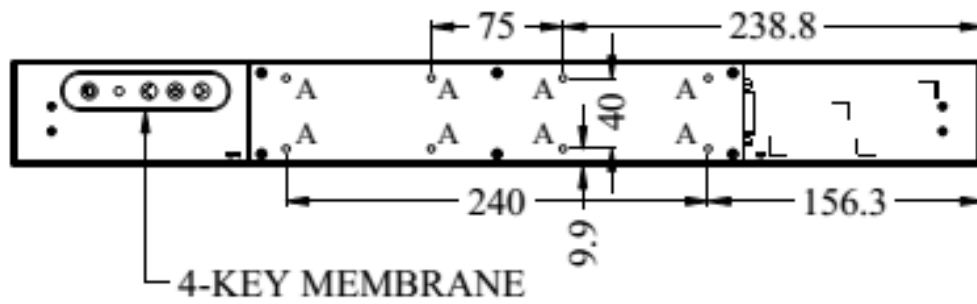


Mechanical Drawing

Outline Dimensions

Unit: mm





NOTE :

O.D. : OUTLINE DIMENSION

B.O. : BEZEL OPENING

A.A. : LCD ACTIVE AREA

A : 8-M4_USER HOLE_MAX DEPTH=6 mm



Ordering Information

Part Number	Description
SSD2106-YNB-I01	21",1200nits,1920*132,LID21A,AD6038DM,O/B,DC12V,3in1,V1

Optional Accessories

Part Number	Description
810618301010	CABLE.POWER.AC.1830mm USA type
810618301090	CABLE.POWER.AC.1830mm Europe type
810618301050	CABLE.POWER.AC.1830mm UK type
810618301170	CABLE.POWER.AC.1830mm Australia type
810618301031	CABLE.POWER.AC.1830mm Japan type

Customer Request

Touch	PCT (Multi-Touch)
Glass	Tempered glass, AR coating.....