



SSD2125-A

21.28" Resizing LCD, Brightness 1000 nits, LED backlight, 1920x316 ultra wide aspect ratio 16:2.6

SSD2125-A is an innovative ultra-wide, LED backlight LCD display. It provides LCD panel with specific ratios for digital signage, public transportation, exhibition hall, department store, vending machine and industrial applications.

Key Features

- Resizing LCD
- Ultra Wide Screen (16 : 2.6)
- LED Backlight
- Brightness 1000nits
- Low Power Consumption
- High Uniformity
- Wide Dimming
- Life Expectancy 100,000 hours



Specifications

V1

Model No.	SSD2125-A
Description	21.28" Resizing LCD Module, 1000nits, LED backlight, 1920x316
Display Area	531.36x87.4 mm
Brightness	1000nits
Resolution	1920 x 316
Aspect Ratio	16 : 2.6
Contrast Ratio	1000:1
Pixel Pitch (mm)	0.276 x 0.276
Pixel Pre Inch (PPI)	91
Viewing Angle	170°(H), 160°(V)
Color Saturation (NTSC)	77%
Display Colors	16.7M
Response Time (Typical)	5 ms
Operating Temperature	0°C ~ 50°C
Storage Temperature	-20°C ~ 60°C
Power Consumption	20W
Dimensions (mm)	558.5x119.5x46.1mm
Weight (Net)	2.1Kg
LED Driving Board	on AD board
Control Board (Optional)	<input type="checkbox"/> AD6038GDP
<input type="checkbox"/> AD6038GDP	DVI-I + Displayport
F / R Control Button	<input type="checkbox"/> 4 Key
<input type="checkbox"/> 4 Key	Power Switch, Menu, Select (+,-),
OSD Menu	Brightness, Contrast, H/V Position, Color, Phase, Clock...
Optional	<input type="checkbox"/> AOT <input type="checkbox"/> Touch Screen

Specifications are subject to change without notice.

All brands or product names are trademarks or registered trademarks of their respective companies.

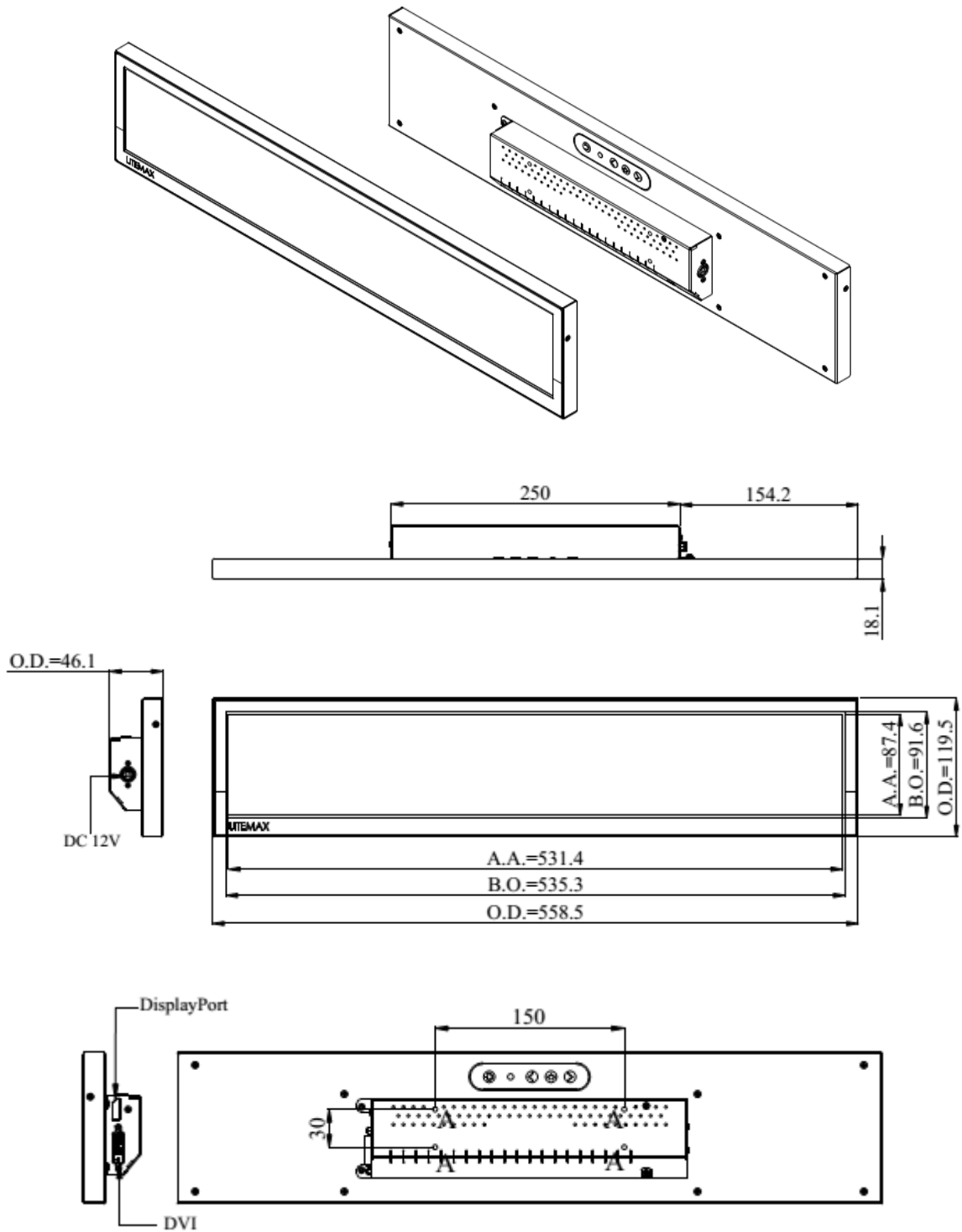
SSD= Panel+ LED Driving Board + Control Board



Mechanical Drawing

Outline Dimensions

Unit: mm



NOTE :
 O.D. : OUTLINE DIMENSION
 B.O. : BEZEL OPENING
 A.A. : LCD ACTIVE AREA

A : 4-M4_USER HOLE_MAX. DEPTH=5 mm



Ordering Information

Part Number	Description
SSD2125-ANB-I01	21.28",1000nits,1920*316,AD6038GDP+LID,O/B,DC12V,3in1,V1

Optional Accessories

Part Number	Description
840612051210	ADAPTER,AC/DC,12V/5.4A,65W,Atech OEM A065112-TDx.4P SLIDING CAP,P
810618301010	CABLE.POWER.AC.1830mm USA type
810618301090	CABLE,POWER,AC,1830mm Europe type
810618301050	CABLE.POWER.AC.1830mm UK type
810618301170	CABLE.POWER,AC,1830mm Australia type
810618301031	CABLE.POWER.AC.1830mm Japan type