



SSD3325-Y

33.2" TFT LCD, LED Backlight 1000nits, FHD(1920x1920)

The SSD3325-Y is a 33.2 inch color TFT-LCD display with special aspect ratio 1:1 and wide resolution 1920x1920. It is Litemax's Spanpixel series product which designed for high brightness with power efficiency LED backlight. It provides LCD panel with specific aspect ratios and sunlight readable for digital signage, public transportation, exhibition hall, department store, and vending machine.

Key Features

- High Brightness 1000nits
- Sunlight Readable
- Aspect ratio 1:1
- LED Backlight
- Low Power Consumption
- Slim Bezel
- BL MTBF: 100,000 hours



Specifications

Model Name	SSD3325-Y
Description	33.2" TFT LCD, 1000nits LED Backlight, 1920x1920
Screen Size	33.2"
Display Area (mm)	596.16(H) x 596.16(V)
Brightness	1000 cd/m ²
Resolution	1920x1920
Aspect Ratio	1 : 1
Contrast Ratio	600 : 1
Pixel Pitch (mm)	0.3105(H) x 0.3105(V)
Pixel Pre Inch (PPI)	82
Viewing Angle	178 °(H),178 °(V)
Color Saturation (NTSC)	77%
Display Colors	16.7M
Response Time (Typical)	8ms
Panel Interface	LVDS
AD Board Input Interface	Dual-DVI, HDMI, DP
Input Power	AC 100~240V
Power Consumption	60W
OSD Key	5 Keys (Power Switch, Menu, +, Exit, -)
OSD Control	Brightness, Color, Contrast, Auto Turing, H/V Position...etc
Dimensions (mm)	615.8x615.8x62.9
Bezel Size(U/B/L/R)	6.9/6.9/6.9/6.9 mm
Weight (Net)	11.5 kg
Mounting	400x200, 400x300
Operating Temperature	0 °C ~ 50 °C
Storage Temperature	-20 °C ~ 60 °C

SSD = Panel + LED Driving Board + AD Control Board + Chassis

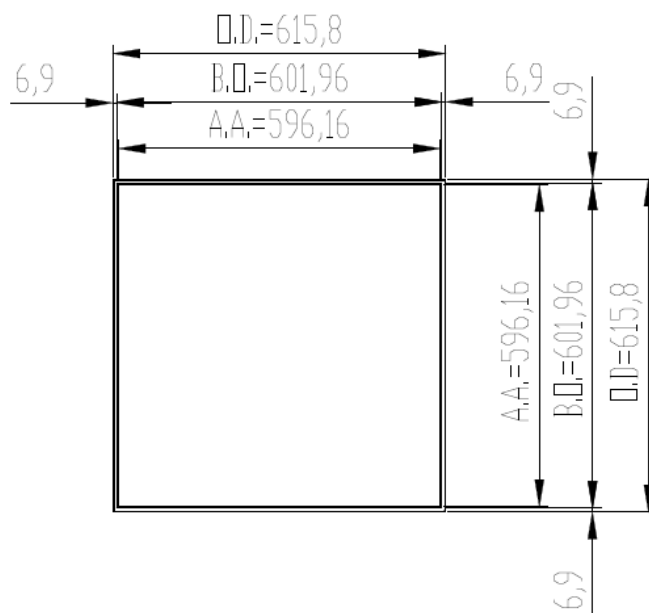
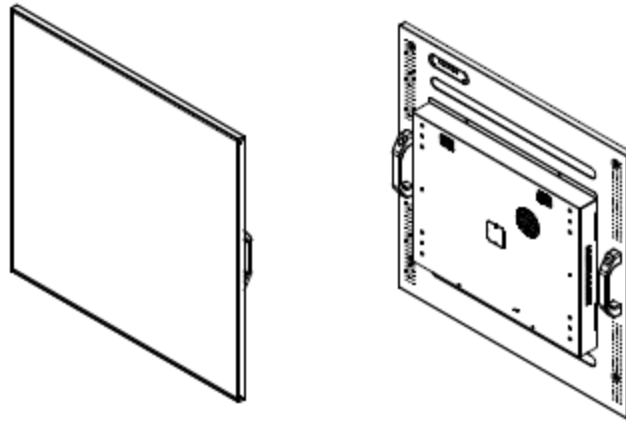


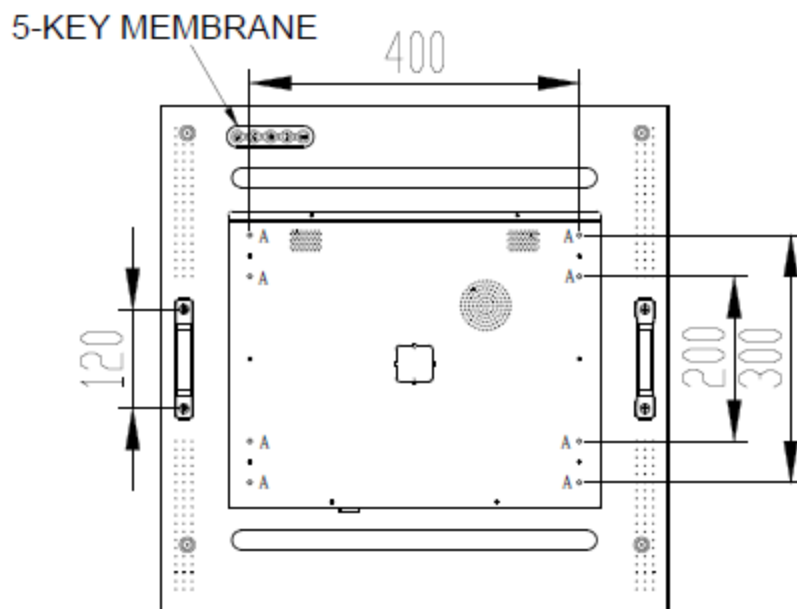
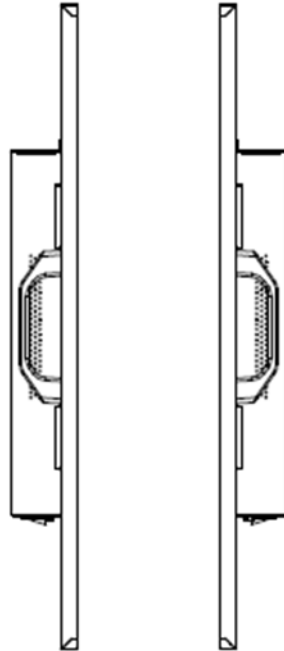
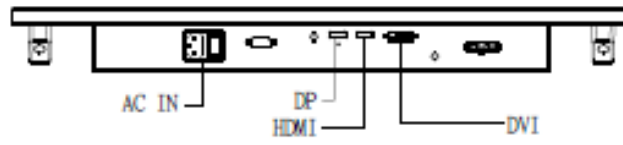
Specifications are subject to change without notice.
All brands or product names are trademarks or registered trademarks of their respective companies.

Mechanical Drawing

Outline Dimensions

Unit:mm





A : 8-M6_USER HOLE_MAX. DEPTH=20mm



Ordering Information

Part Number	Description
SSD3325-YNB-M01	33.2",1000nits,1920x1920,LID33C,AD9131DHP,O/B,AC100~240V,1in1,V1

Optional Accessories

Part Number	Description
810618301010	CABLE.POWER.AC.1830mm USA type
810618301090	CABLE,POWER,AC,1830mm Europe type
810618301050	CABLE.POWER.AC.1830mm UK type
810618301170	CABLE.POWER,AC,1830mm Australia type
810618301031	CABLE.POWER.AC.1830mm Japan type

Customer request

Touch	PCT (Multi-Touch)
Glass	Tempered glass, AR coating.....