



## SSD3480-I V1

### 34.8" Resizing LCD, 2000 nits LED backlight, 1920 x 264 ultra-wide aspect ratio 16:2.2

The SSD3480-I is a 34.8 inch color TFT-LCD display with special aspect ratio 16:2.2 and wide resolution 1920 x 264. It is Litemax's Spanpixel series product which designed for high brightness 2000 nits with power efficiency LED backlight. It provides LCD panel with specific aspect ratios and sunlight readable for digital signage, public transportation, exhibition hall, department store, and vending machine.

#### Key Features

- Resizing LCD
- Ultra-Wide Screen (16 : 2.2)
- High Brightness 2000 nits
- Sunlight Readable
- LED Backlight
- Slim Bezel
- BL MTBF: 100,000 hours



### Specifications

Model Name	SSD3480-I V1
Description	34.8" Resizing LCD, 2000 nits LED backlight, 1920x264
Screen Size	34.8"
Display Area (mm)	878.112(H) x 118.6(V)
Brightness	2000 cd/m <sup>2</sup>
Resolution	1920x264
Aspect Ratio	16 : 2.2
Contrast Ratio	9940 : 1
Pixel Pitch (mm)	0.4494(H) x 0.4494(V)
Pixel Per Inch (PPI)	55
Viewing Angle	178°(H), 178°(V)
Color Saturation (NTSC)	80%
Display Colors	16.7M
Response Time (Typical)	8.5ms
Panel Interface	LVDS
AD Board Input Interface	VGA, DVI-D, HDMI, DP
Input Power	DC12V
Power Consumption	42W
OSD Key	4 Keys (Power Switch, Menu, +, -)
OSD Control	Brightness, Color, Contrast, Auto Turing, H/V Position...etc
Dimensions (mm)	902 x 151.9 x 62.2
Bezel Size(U/B/L/R)	13.3/13.3/9.9/9.9 mm
Weight (Net)	5.8 kg
Mounting	300x75
Operating Temperature	0 °C ~ 50 °C
Storage Temperature	-20 °C ~ 60 °C

**SSD= Panel+ LED Driving Board + AD Control Board + Housing**

*Specifications are subject to change without notice.*

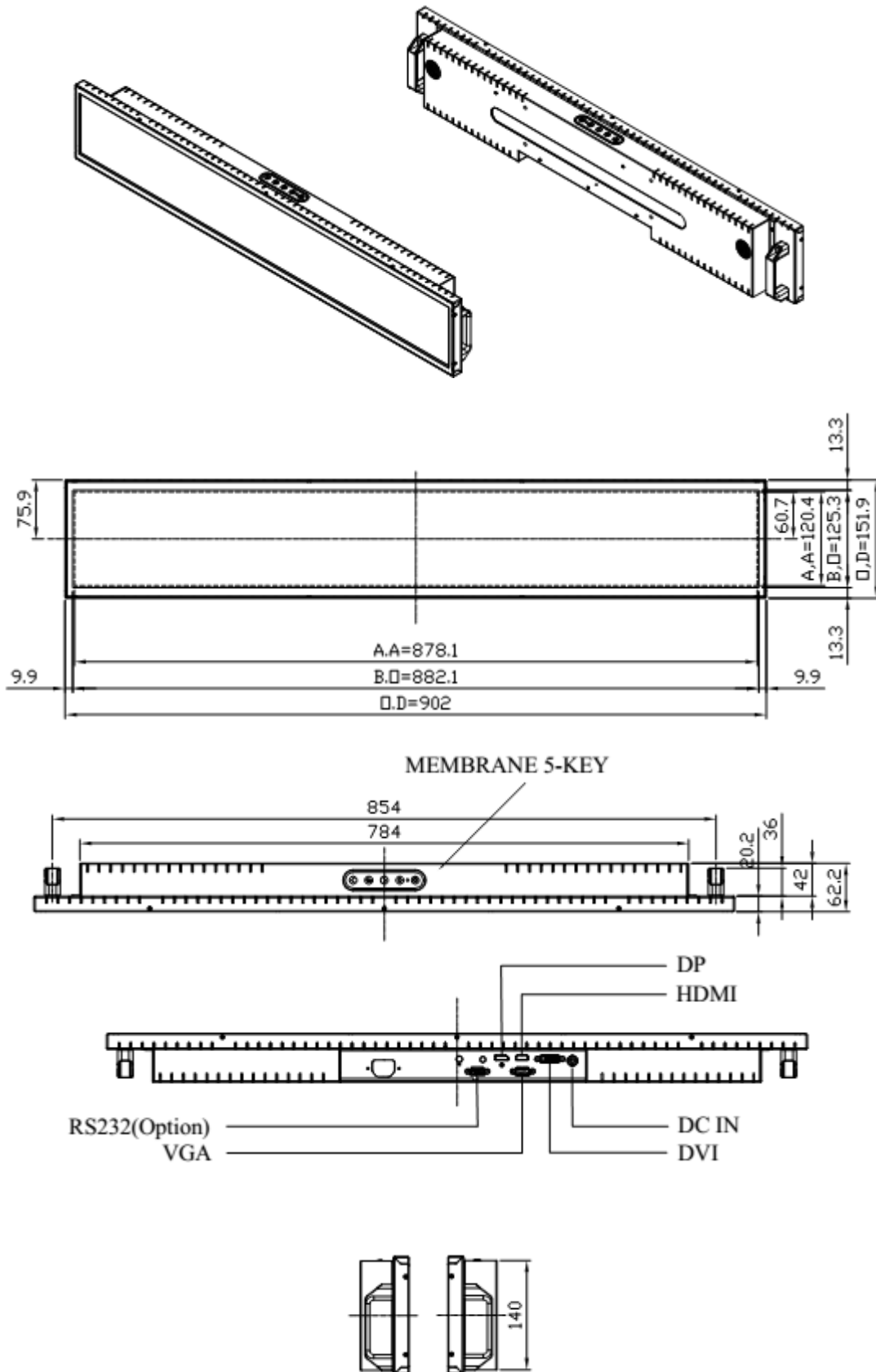
*All brands or product names are trademarks or registered trademarks of their respective companies.*

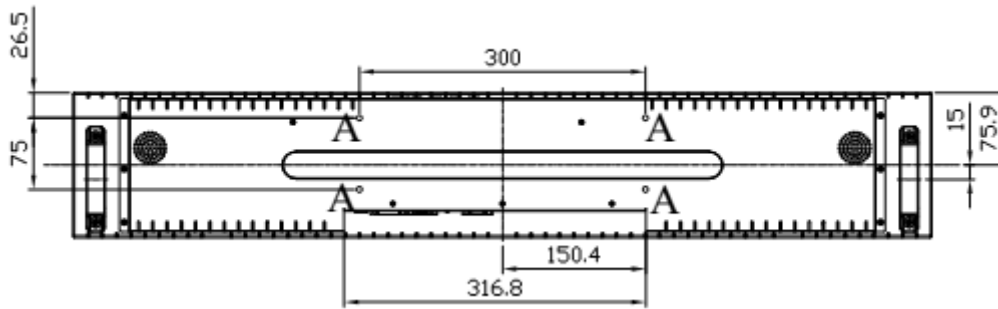


## Mechanical Drawing

### Outline Dimensions

Unit: mm





Note :  
 O.D : Outline Dimension  
 B.O : Bezel Opening  
 A.A : LCD Active Area  
 A:4-M6\_USER HOLE\_MAX DEPTH=6mm

### Ordering Information

Part Number	Description
SSD3480-INB-J01	34.8",2000nits,1920*264,LID34A,AD5827GDHP,O/B,speaker*2,DC12V,2in1,V1

### Optional Accessories

Part Number	Description
840612051210	ADAPTER,AC/DC,12V/5.4A,65W,Atech OEM A065112-TDx.4P SLIDING CAP,P
810618301010	CABLE.POWER.AC.1830mm USA type
810618301090	CABLE,POWER,AC,1830mm Europe type
810618301050	CABLE.POWER.AC.1830mm UK type
810618301170	CABLE.POWER,AC,1830mm Australia type
810618301031	CABLE.POWER.AC.1830mm Japan type

### By Customer Request

Glass	Tempered glass, AR coating.....
-------	---------------------------------