



SSD4805-YNU

48" TFT LCD, LED Backlight 1000nits, 3840x720

The SSD4805-YNU is a 48 inch color TFT-LCD display with aspect ratio 16:3 and wide resolution 3840x 720. It is Litemax's Spanpixel series product which designed for high brightness with power efficiency LED backlight. It provides LCD panel with specific aspect ratios and sunlight readable for digital signage, public transportation, exhibition hall, department store, and vending machine.

Key Features

- High Brightness 1000nits
- Sunlight Readable
- Aspect ratio 16:3
- LED Backlight
- Wide Viewing Angle



Specifications

Model Name	SSD4805-YNU V1
Description	48" TFT LCD, 1000nits LED Backlight, 3840x720
Screen Size	48"
Display Area (mm)	1194.05(H) x 223.88(V)
Brightness	1000 cd/m ²
Resolution	3840x720
Aspect Ratio	16 : 3
Contrast Ratio	1200 : 1
Pixel Pitch (mm)	0.31095(H) x 0.31095(V)
Pixel Pre Inch (PPI)	81
Viewing Angle	178 °(H),178 °(V)
Color Saturation (NTSC)	83%
Display Colors	16.7M
Response Time (Typical)	10ms
Panel Interface	V-by-One
AD Board Input Interface	DVI, HDMI, DP
Input Power	AC 100~240V
Power Consumption	98W
OSD Key	5 Keys (Power Switch, Menu, +, Exit, -)
OSD Control	Brightness, Color, Contrast, Auto Turing, H/V Position...etc
Dimensions (mm)	1220.4x250.8x70.2
Bezel Size(U/B/L/R)	11.2/11.2/11.2/11.2 mm
Weight (Net)	9.2 kg
Mounting	300x75, 650x100
Operating Temperature	0 °C ~ 50 °C
Storage Temperature	-20 °C ~ 60 °C

SSD= Panel + LED Driving Board + AD Control Board + Chassis

Specifications are subject to change without notice.

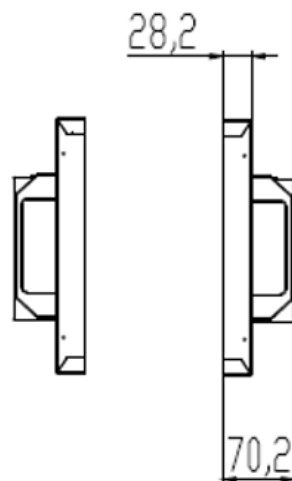
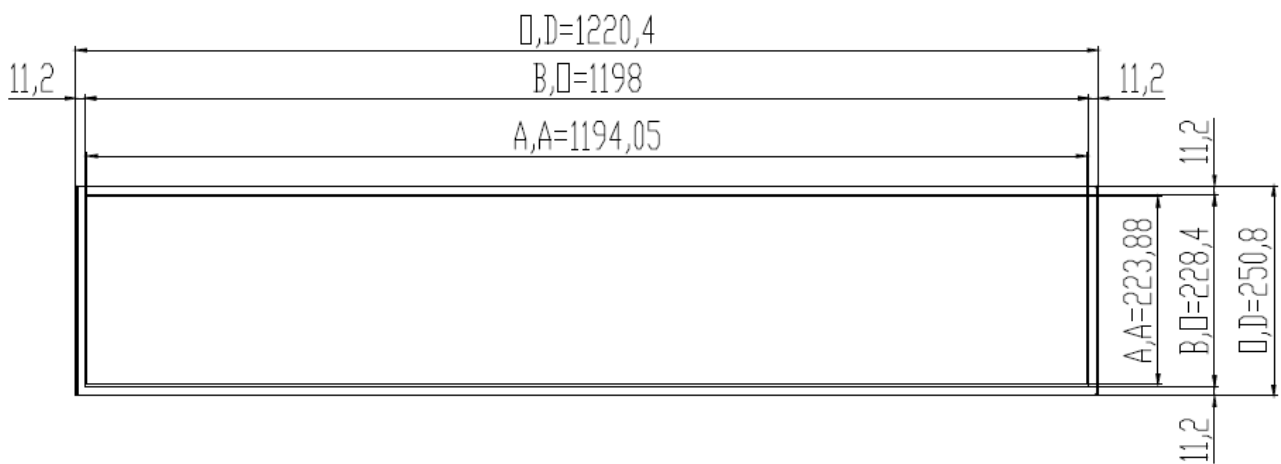
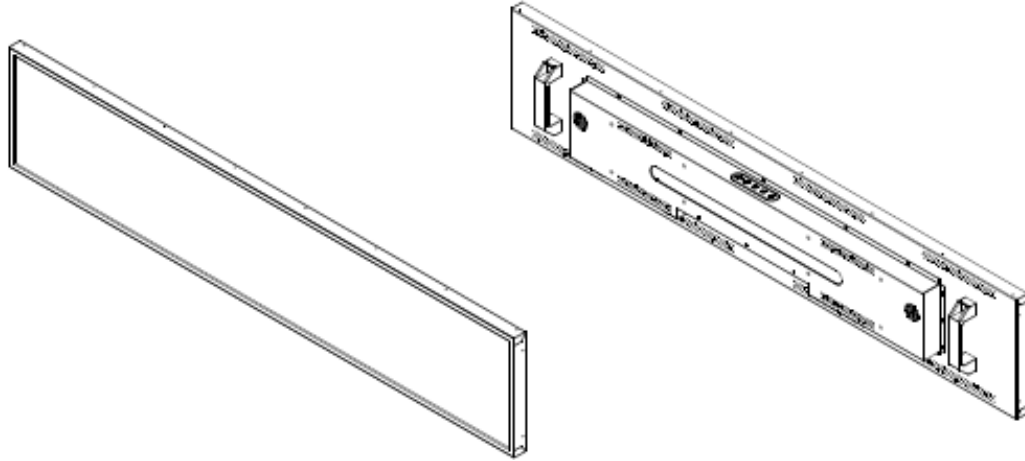
All brands or product names are trademarks or registered trademarks of their respective companies.

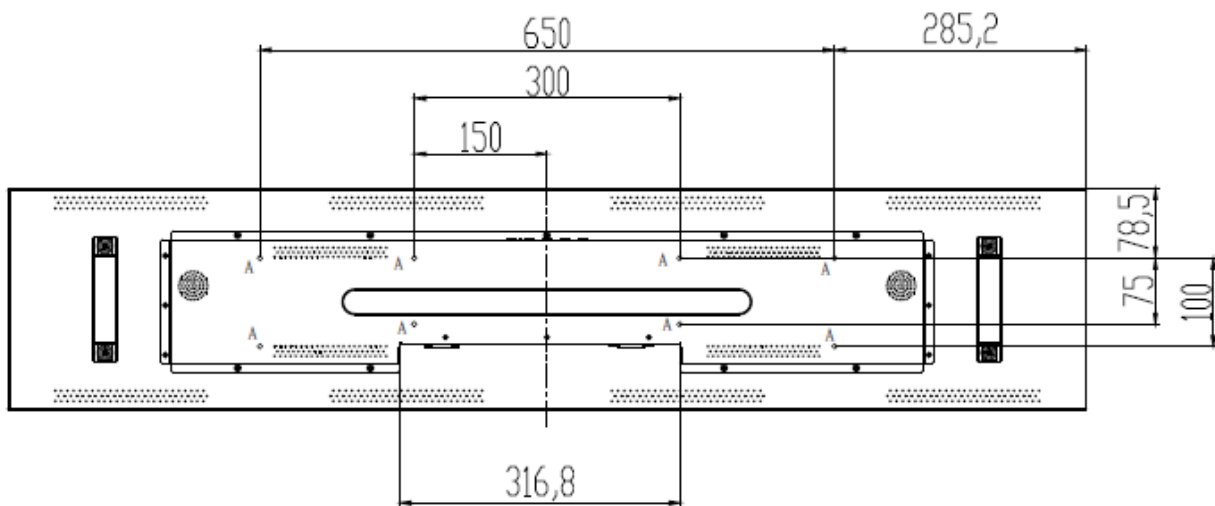
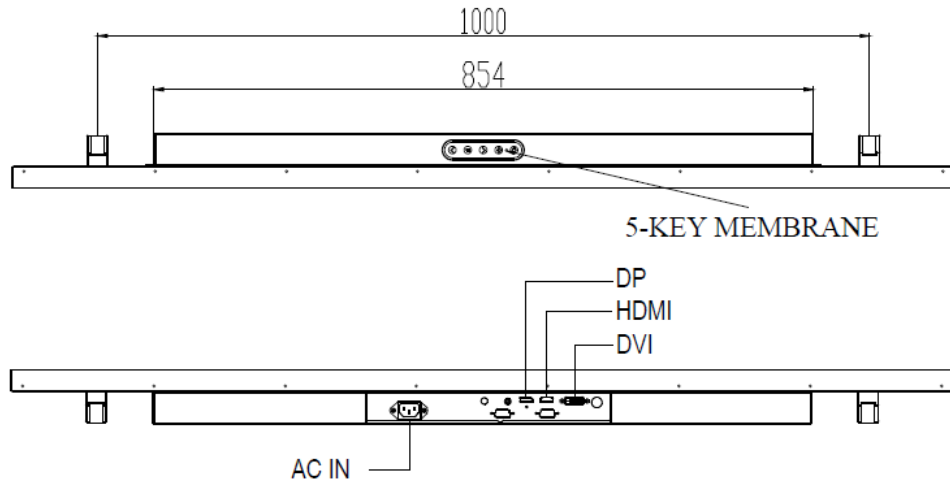


Mechanical Drawing

Outline Dimensions

Unit:mm





Note:

O.D : Outline Dimension

B.O : Bezel Opening

A.A : LCD Active Area

A:8-M6 USER HOLE _MAX. DEPTH=8mm



Ordering Information

Part Number	Description
SSD4805-YNU-M01	48",1000nits,3840*720,LID on LCM,AD9131DHP,O/B,AC100~240V,2in1,V1

Optional Accessories

Part Number	Description
810618301010	CABLE.POWER.AC.1830mm USA type
810618301090	CABLE,POWER,AC,1830mm Europe type
810618301050	CABLE.POWER.AC.1830mm UK type
810618301170	CABLE.POWER,AC,1830mm Australia type
810618301031	CABLE.POWER.AC.1830mm Japan type

Customer request

Touch	PCT (Multi-Touch)
Glass	Tempered glass, AR coating.....