



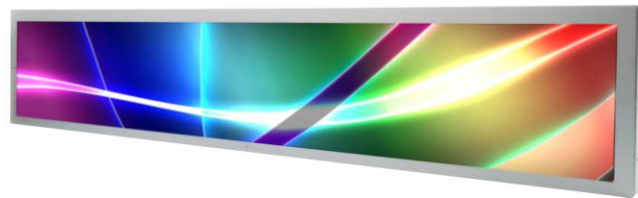
## SSF1905-Y / SSH1905-Y

### 19" LCD, 1000nits LED backlight, 1920 x 360 ultra-wide aspect ratio 16:3

The SSF/SSH1905-Y is a 19 inch color TFT-LCD display with special aspect ratio 16:3 and wide resolution 1920 x 360. It is Litemax's Spanpixel series product which designed for high brightness with power efficiency LED backlight. It provides LCD panel with specific aspect ratios and sunlight readable for digital signage, public transportation, exhibition hall, department store, and vending machine.

#### Key Features

- Ultra-Wide Screen (16: 3)
- High Brightness
- Sunlight Readable
- LED Backlight
- Low Power Consumption



#### Specifications

<b>Model Name</b>	<b>SSF1905-Y / SSH1905-Y V1</b>
<b>Description</b>	19" LCD, 1000nits LED backlight , 1920x360
<b>Screen Size</b>	19"
<b>Display Area (mm)</b>	476.64(H) x 89.37(V)
<b>Brightness</b>	1000 cd/m <sup>2</sup>
<b>Resolution</b>	1920x360
<b>Aspect Ratio</b>	16 : 3
<b>Contrast Ratio</b>	1150 : 1
<b>Pixel Pitch (mm)</b>	0.2482(H) x 0.2482(V)
<b>Pixel Per Inch (PPI)</b>	103
<b>Viewing Angle</b>	178°(H),178°(V)
<b>Color Saturation (NTSC)</b>	84%
<b>Display Colors</b>	16.7M
<b>Response Time (Typical)</b>	30ms
<b>Panel Interface</b>	LVDS
<b>AD Board Input Interface</b>	VGA, DVI-D, HDMI
<b>Input Power</b>	DC12V
<b>Power Consumption</b>	14W (17.5W with AD Board)
<b>Dimensions (mm)</b>	491.5x 109.4 x 12.8
<b>Bezel Size(U/B/L/R)</b>	11/6/6/6 mm
<b>Weight (Net)</b>	0.8 kg
<b>Operating Temperature</b>	0 °C ~ 50 °C
<b>Storage Temperature</b>	-20 °C ~ 60 °C

SSF= Panel + LED Driving Board

SSH= Panel + LED Driving Board + AD Control Board

*Specifications are subject to change without notice.*

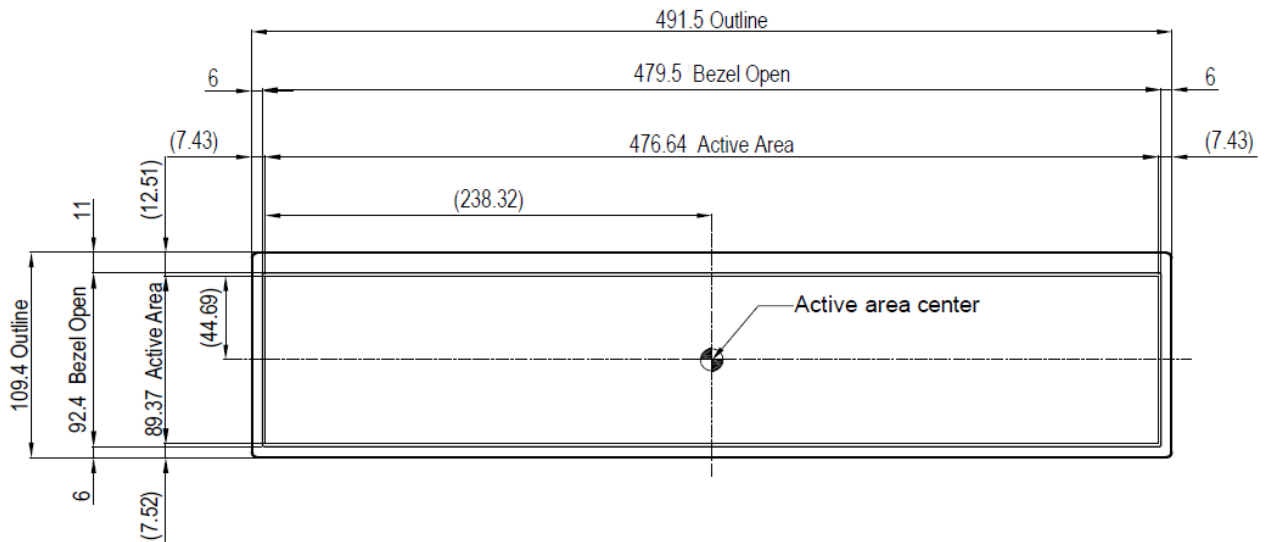
*All brands or product names are trademarks or registered trademarks of their respective companies.*

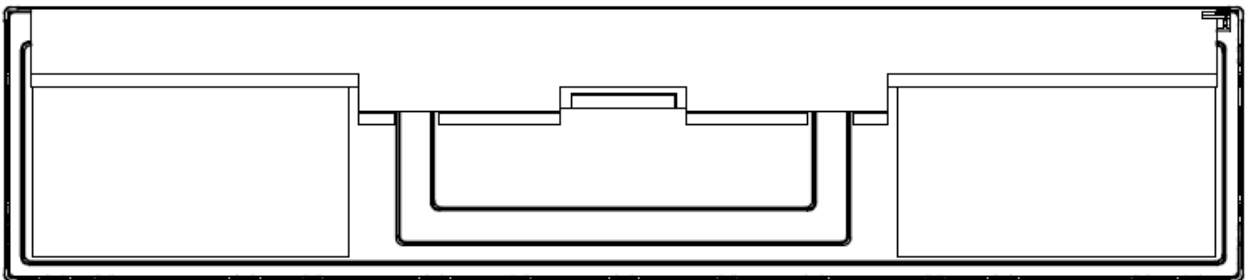
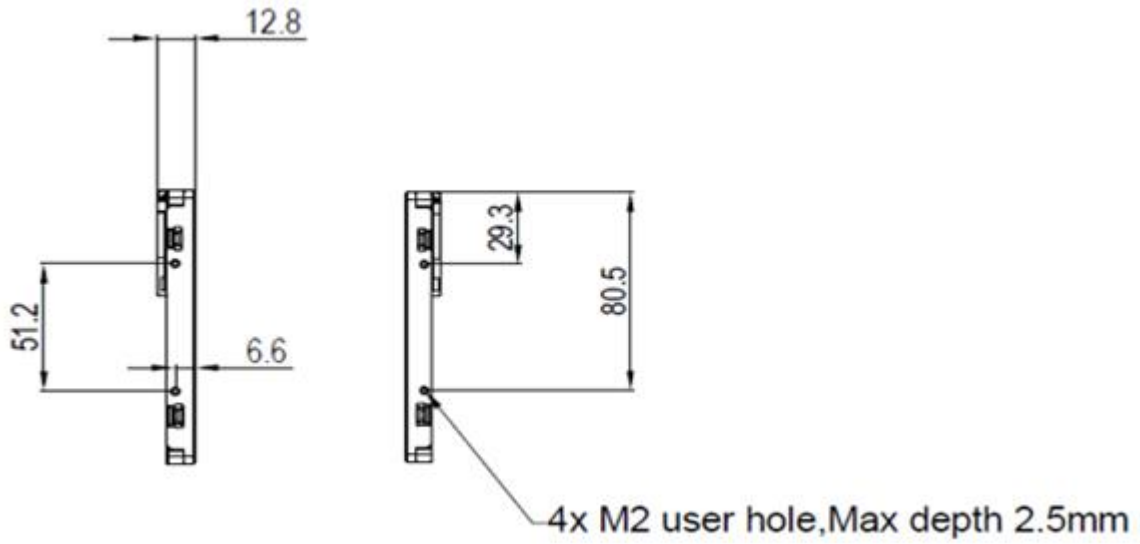
#### Mechanical Drawing



### Outline Dimensions

Unit:mm







### Ordering Information

Part Number	Description
SSF1905-YNN-A01	19",1000nits,1920*360,LID19A,5in1,V1
SSH1905-YNN-G01	19",1000nits,1920*360,LID19A,AD2662GDH,DC12V,5in1,V1

### Optional Accessories

Part Number	Description
840612031101	ADAPTER.12V.3.33A.40W.G99-KPL040F-N051.DC Plug 2.1*5.5,P
810618301010	CABLE.POWER.AC.1830mm USA type
810618301090	CABLE,POWER,AC,1830mm Europe type
810618301050	CABLE.POWER.AC.1830mm UK type
810618301170	CABLE.POWER,AC,1830mm Australia type
810618301031	CABLE.POWER.AC.1830mm Japan type

### Customer request

Touch	SCT (Single-Touch), PCT (Multi-Touch)
Glass	Tempered glass, AR coating.....