



**SSF4887-B / SSH4887-B V1**

**48.8" Resizing LCD, 1400 nits LED backlight, 1920 x 438 ultra-wide aspect ratio 16:3.6**

The SSF/SSH4887-B is a 48.8 inch color TFT-LCD display with special aspect ratio 16:3.6 and wide resolution 1920 x 438. It is Litemax's Spanpixel series product which designed for high brightness 1400 nits with power efficiency LED backlight. It provides LCD panel with specific aspect ratios and sunlight readable for digital signage, public transportation, exhibition hall, department store, and vending machine.

**Key Features**

- Resizing LCD
- Ultra-Wide Screen (16: 3.6)
- High Brightness 1400 nits
- Sunlight Readable
- LED Backlight
- Slim Bezel
- BL MTBF: 100,000 hours



**Specifications**

<b>Model Name</b>	<b>SSF4887-B / SSH4887-B V1</b>
<b>Description</b>	48.8" Resizing LCD, 1400 nits LED backlight, 1920x438
<b>Screen Size</b>	48.8"
<b>Display Area (mm)</b>	1209.6(H) x 275.5(V)
<b>Brightness</b>	1400 cd/m <sup>2</sup>
<b>Resolution</b>	1920x438
<b>Aspect Ratio</b>	16 : 3.6
<b>Contrast Ratio</b>	1500 : 1
<b>Pixel Pitch (mm)</b>	0.63(H) x 0.63(V)
<b>Pixel Per Inch (PPI)</b>	40
<b>Viewing Angle</b>	178°(H),178°(V)
<b>Color Saturation (NTSC)</b>	81%
<b>Display Colors</b>	16.7M
<b>Response Time (Typical)</b>	8ms
<b>Panel Interface</b>	LVDS
<b>AD Board Input Interface</b>	VGA, DVI-D, HDMI,
<b>AD Board Input Power</b>	DC12V
<b>Power Consumption</b>	79W(84W with AD Board, AC Power Board)
<b>OSD Key</b>	4 Keys (Power Switch, Menu, +, -)
<b>OSD Control</b>	Brightness, Color, Contrast, Auto Turing, H/V Position...etc
<b>Dimensions (mm)</b>	1244.6x 313.5 x 21.8
<b>Bezel Size(U/B/L/R)</b>	17/17/15.5/15.5 mm
<b>Weight (Net)</b>	7.4 kg
<b>Operating Temperature</b>	0 °C ~ 50 °C
<b>Storage Temperature</b>	-20 °C ~ 60 °C

SSF= Panel+ LED Driving Board

SSH= Panel+ LED Driving Board + AD Control Board

*Specifications are subject to change without notice.*

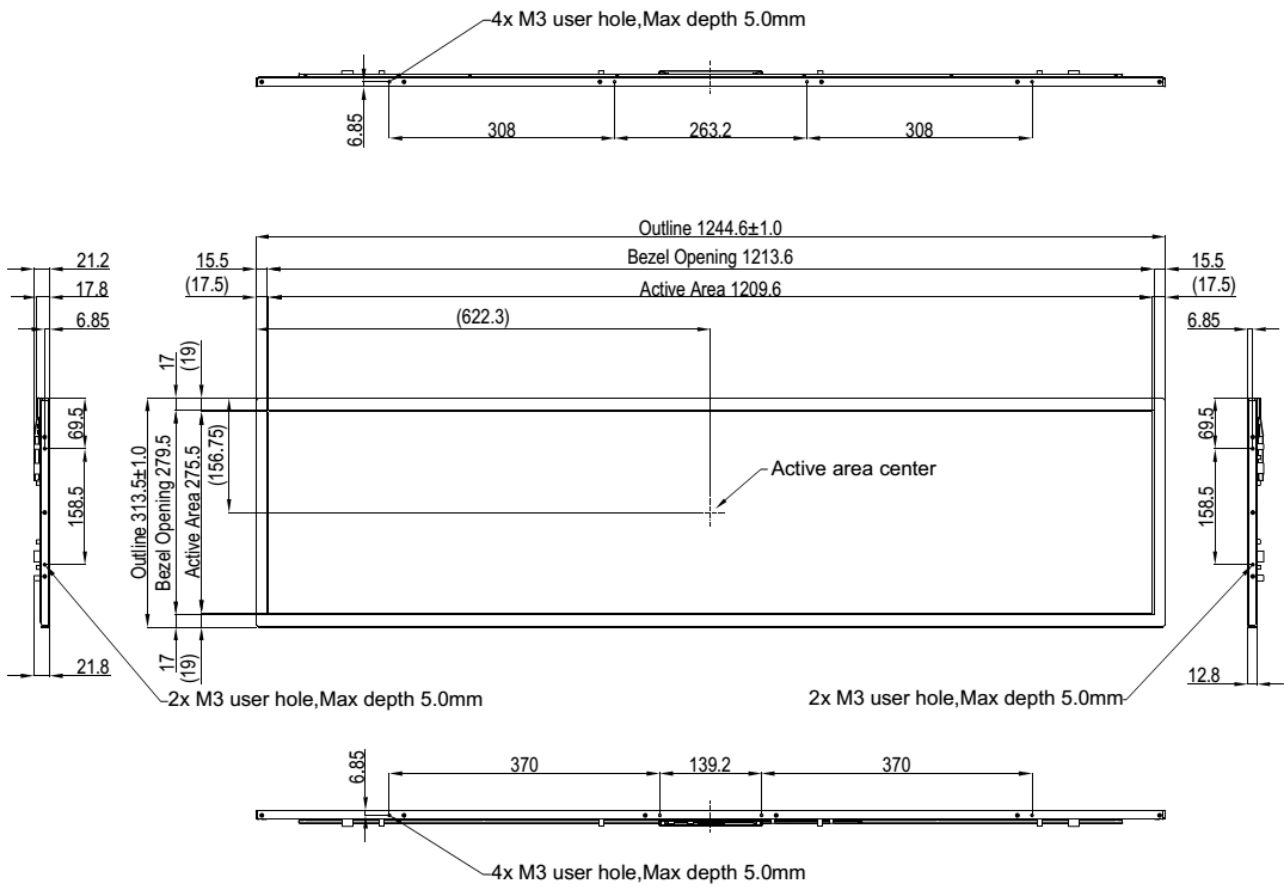


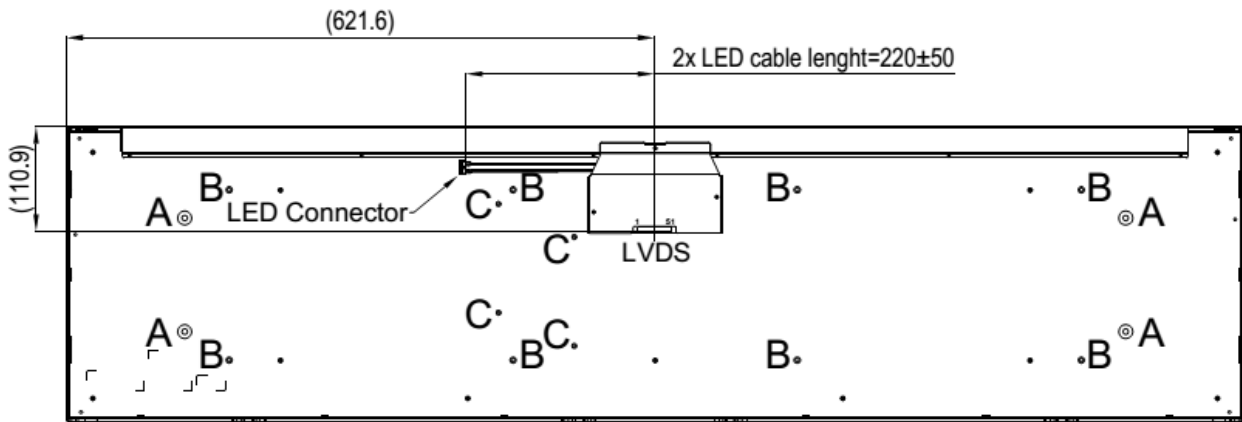
All brands or product names are trademarks or registered trademarks of their respective companies.

## Mechanical Drawing

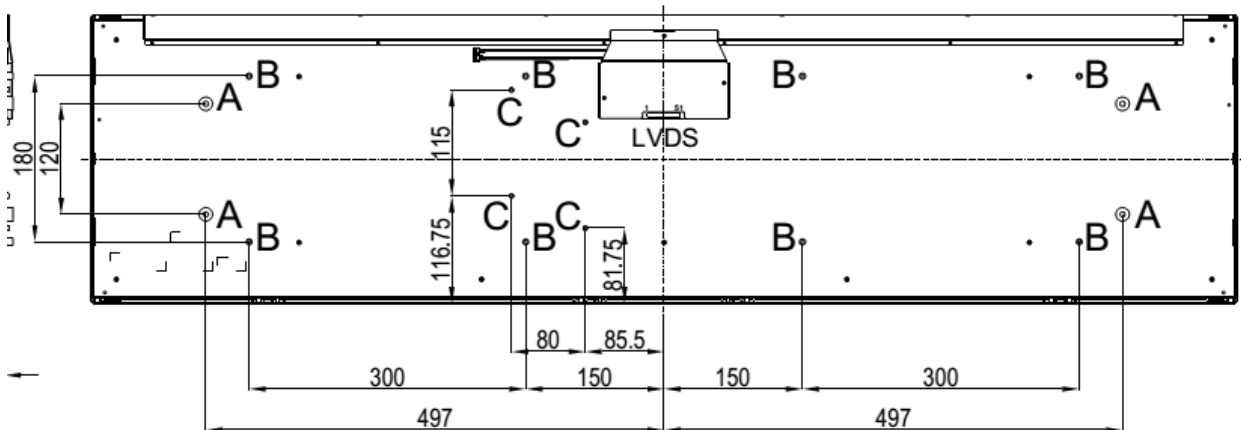
### Outline Dimensions

Unit: mm



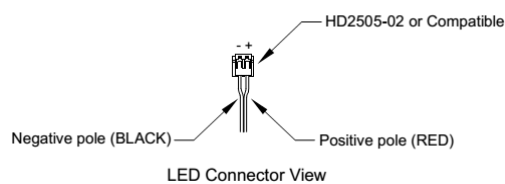


A	4x M6 user hole,max depth 9.0mm
B	8x M4 user hole,max depth 9.0mm
C	4x M3 user hole,max depth 5.0mm, for LID



Note:

1. Resolution: 1920x438
2. Connector : IS050-C51B-C39-S (UJU)
3. Tolerance is  $\pm 1.0\text{mm}$  unless noted
4. "( )" marks the reference dimension





### Ordering Information

Part Number	Description
<b>SSF4887-BNN-A01</b>	48.8",1400nits,1920*438,LID48A,3in1,V1
<b>SSH4887-BNN-G01</b>	48.8",1400nits,1920*438,LID48A.AD2662GDHM,AC100~240V,3in1,V1

### Optional Accessories

Part Number	Description
<b>810618301010</b>	CABLE.POWER.AC.1830mm USA type
<b>810618301090</b>	CABLE,POWER,AC,1830mm Europe type
<b>810618301050</b>	CABLE.POWER.AC.1830mm UK type
<b>810618301170</b>	CABLE.POWER,AC,1830mm Australia type
<b>810618301031</b>	CABLE.POWER.AC.1830mm Japan type

### By Customer Request

<b>Glass</b>	Tempered glass, AR coating.....
--------------	---------------------------------