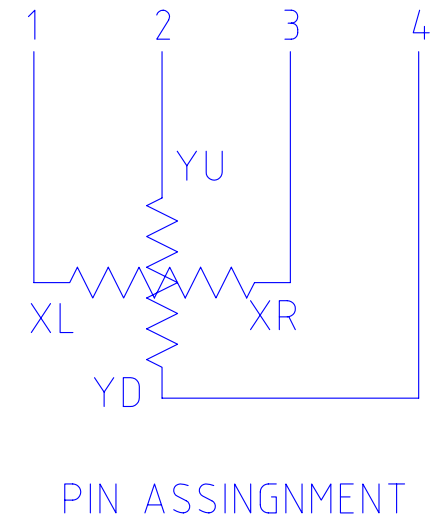
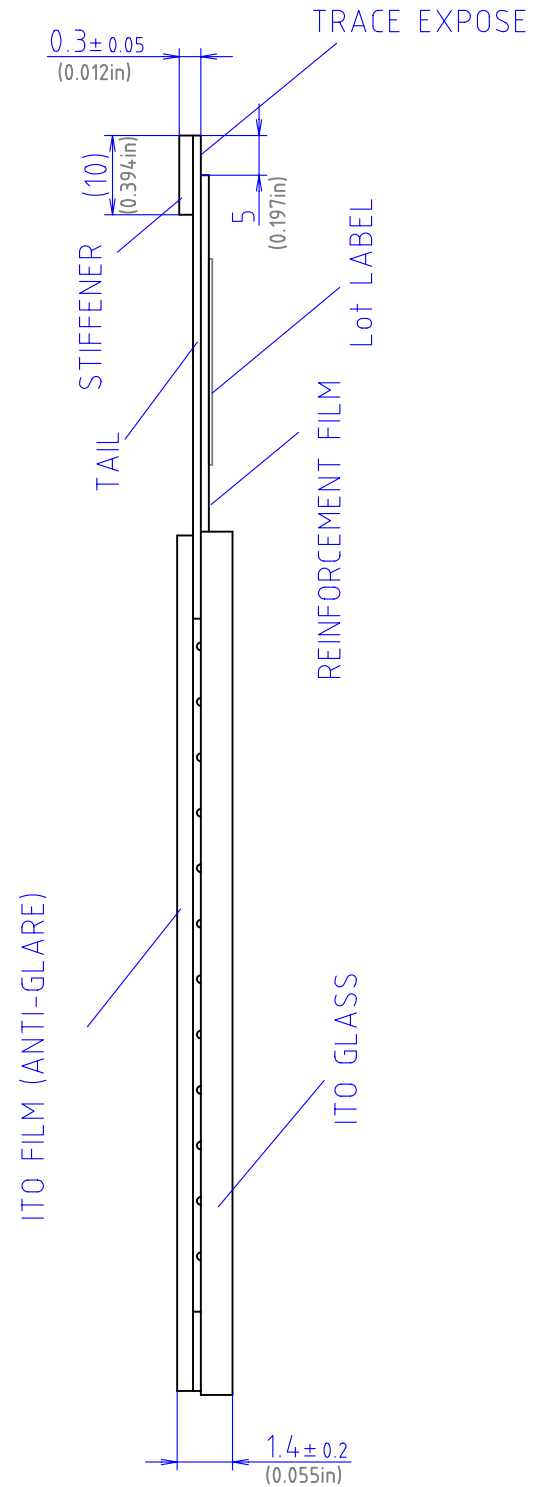
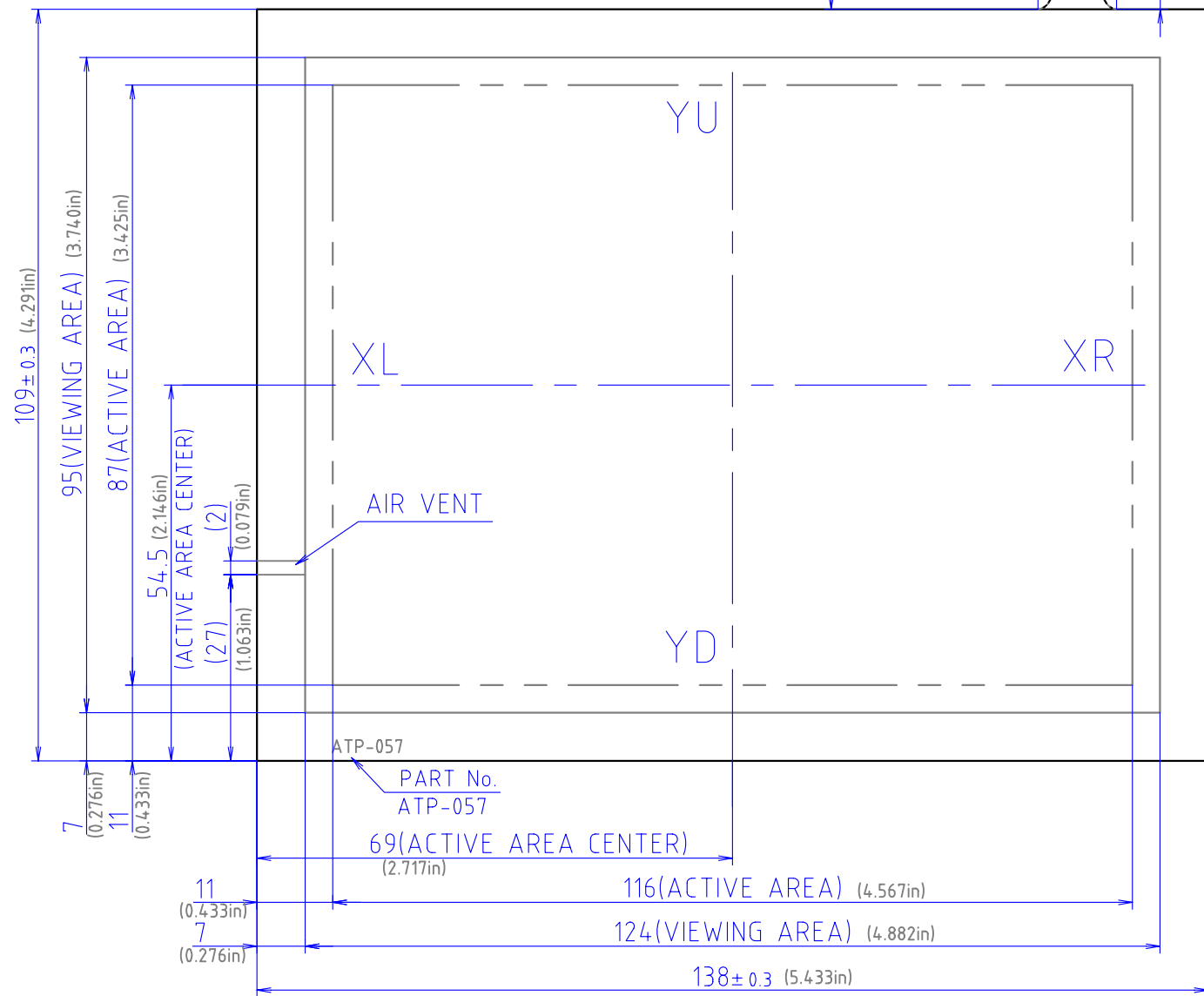
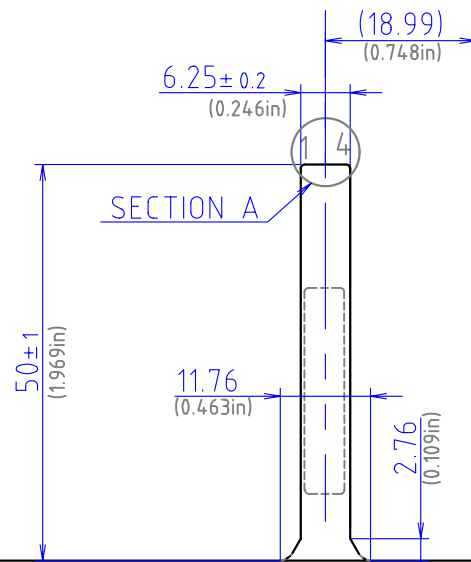
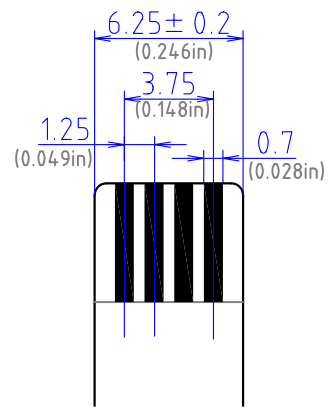


SECTION A



Tolerance ± 0.5
Unit = mm

PART	DATE
ATP-057	2003.03.15
TYPE	DMC Co., Ltd.
STANDARD TOUCHSCREEN DIMENSIONAL DRAWING	