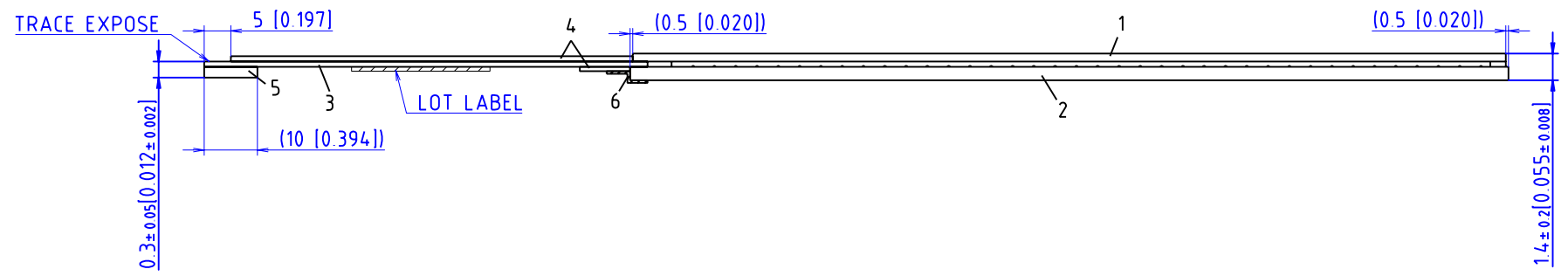
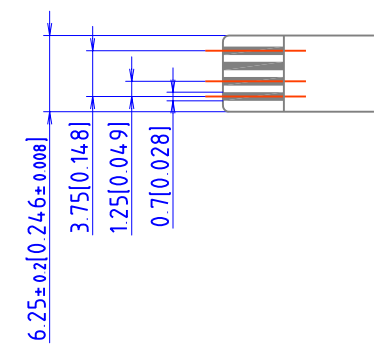


SECTION A



TOLERANCE = ± 0.5mm (0.02in)  
EXCEPT WHERE INDICATED  
UNIT = mm (inch)

1	ITO FILM (ANTI GLARE)
2	ITO GLASS
3	TAIL
4	REINFORCEMENT FILM
5	STIFFENER
6	PROTECTION TAPE

PART No.	DATE
AST-070A080A	Aug , 30 , 2006
TYPE	
STANDARD TOUCHSCREEN	
CIRCUIT DRAWING	DMC Co., Ltd.